

# CLA-422-411 CHARMING TO THE END

## CARACOLE CLASSIC

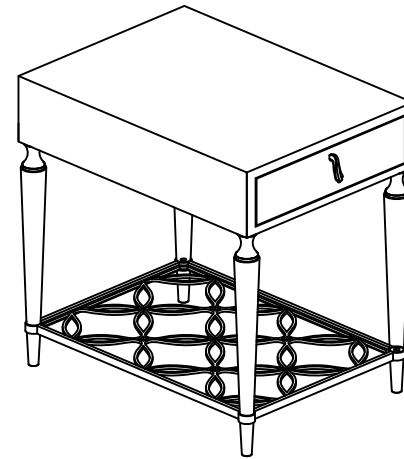
### **ASSEMBLY INSTRUCTIONS**






**PLEASE UNPACK ALL PARTS AND CHECK QUANTITY AGAINST PARTS LIST BEFORE DISCARDING PACKING CARTON!**

- 1) Turn the top box upside down on a soft clean surface, Secure the legs into the back side of the top with the bolts (B), with spring washers (C), the flat washers(D), and the wrench(E).
- 2) Secure the shelf frame into the legs, with the bolts(F), and the wrench(A). Tighten up all the bolts
- 3) Place the adjustable floor glides into the legs.
- 4) Turn the table upside down, the assembling steps are done

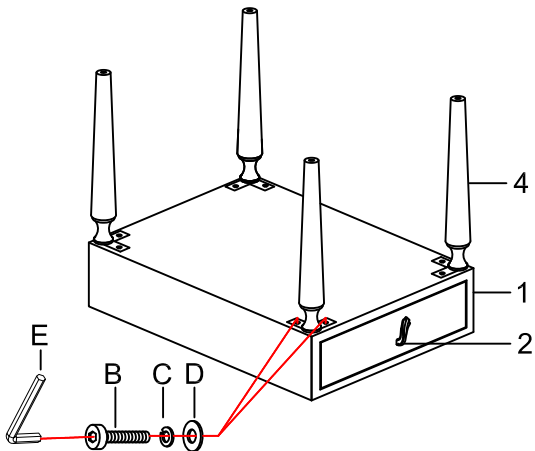
\*\*\* NOTE KEEP THIS SHEET!!! \*\*\*

In the unlikely event that you would need a replacement part, please contact your local authorized Caracole dealer.

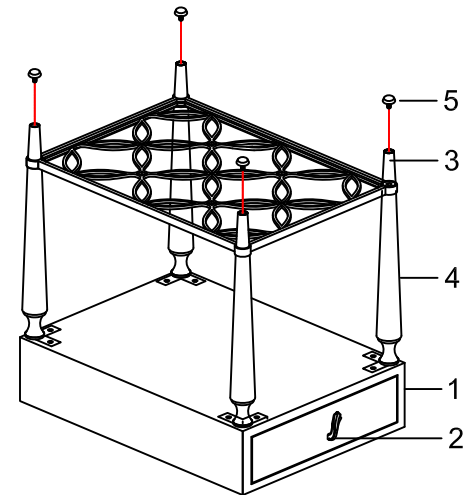


CLA-442-411				
<b>CHARMING TO THE END</b>				
Part List				
NO.	Hardware List		Part Number	QTY
1		Top Frame	CLA-422-411--0307	1
2		Handle	CLA-422-411-0309	1
3		Bottom Shelf	CLA-422-411-027	1
4		Leg	CLA-422-411-018	4
5		Adjustable Floor Glide	CLA-422-411-075	4

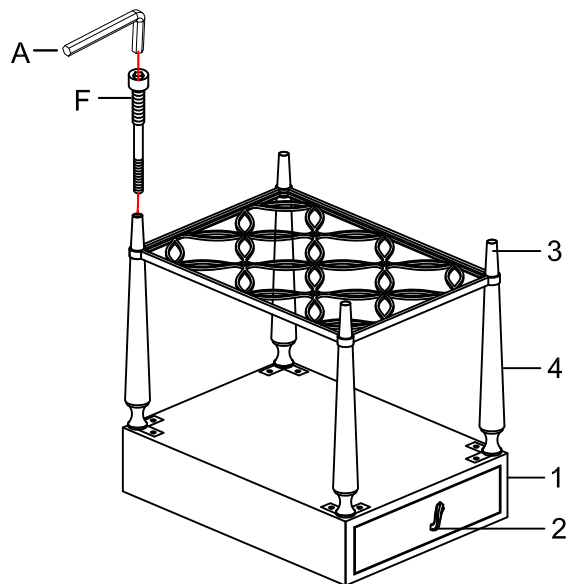
RTA Hardware				
Hardware List				QTY
A		Allen Wrench	DIA 3/8"*4"	1
B		Bolts	DIA 1/4"*1-1/8"	8
C		Spring Washer	DIA 1/4"	8
D		Flat Washer	DIA 1/4"*16mm	8
E		Allen Wrench	4mm	1
F		Bolts	DIA 3/8"*4"	4



STEP 1



STEP 3



STEP 2

STEP 4

