

CLA-422-402 EASILY CHARMING

CARACOLE CLASSIC

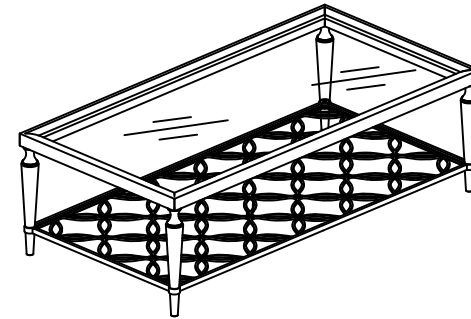
ASSEMBLY INSTRUCTIONS





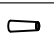

PLEASE UNPACK ALL PARTS AND CHECK QUANTITY AGAINST PARTS LIST BEFORE DISCARDING PACKING CARTON!






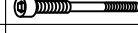

- 1) Turn the top box upside down on a soft clean surface, Secure the legs into the back side of the top with the bolts (B), with spring washers (C) ,the flat washers(D), and the wrench(E).
- 2) Secure the shelf frame into the legs, with the bolts(F) ,and the wrench(A). Tighten up all the bolts
- 3) Place the adjustable floor glides into the legs. Turn the top upside down.
- 4) Place the plastic bumpers(G) onto the top frame. Place the glass top in
- 5) The assembling steps are done

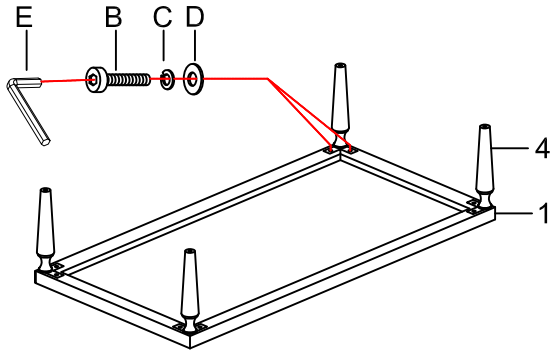
*** NOTE KEEP THIS SHEET!!! ***

In the unlikely event that you would need a replacement part, please contact your local authorized Caracole dealer.

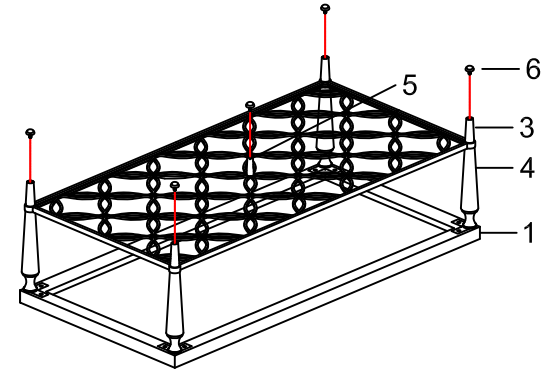


CLA-442-402				
EASILY CHARMING				
Part List				
NO.	Hardware List	Part Number	QTY	
1	 Top Frame	CLA-422-402-0307	1	
2	 Glass Top	CLA-422-402-029	1	
3	 Shelf frame	CLA-422-402-027	1	
4	 Leg	CLA-422-402-018	4	
5	 Central Support Leg	CLA-422-402-0118	1	
6	 Adjustable Floor Glide	CLA-422-402-075	5	

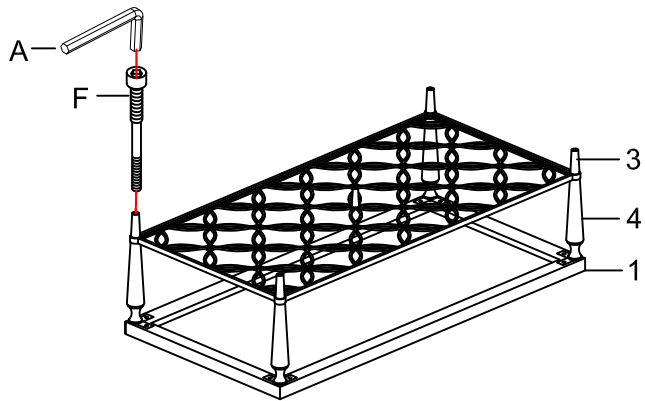
RTA Hardware				
Hardware List				QTY
A		Allen Wrench	DIA 3/8"*4"	1
B		Bolts	DIA 1/4"*1-1/8"	8
C		Spring Washer	DIA 1/4"	8
D		Flat Washer	DIA 1/4"*16mm	8
E		Allen Wrench	4mm	1
F		Bolts	DIA 3/8"*4"	4
G		Gear Bumper		8



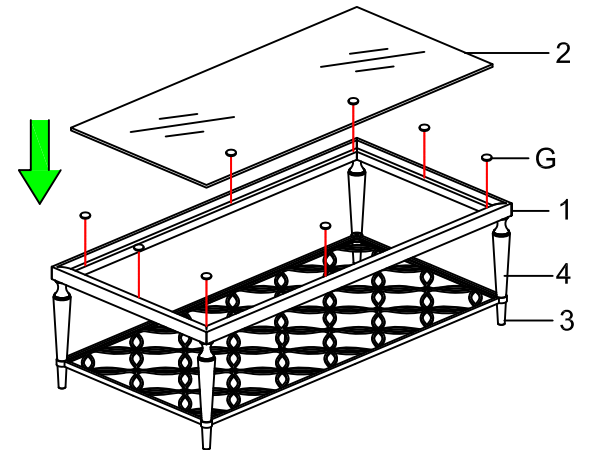
STEP 1



STEP 3



STEP 2



STEP 4