

CLA-422-401 WORKS LIKE A CHARM

CARACOLE CLASSIC

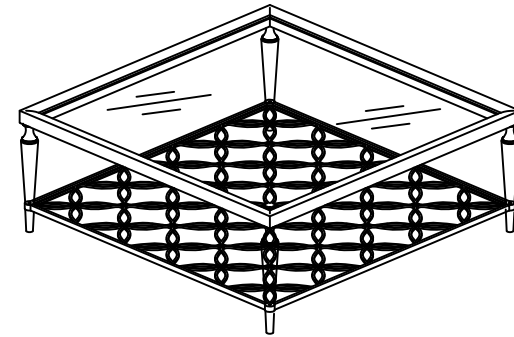
ASSEMBLY INSTRUCTIONS







PLEASE UNPACK ALL PARTS AND CHECK QUANTITY AGAINST PARTS LIST BEFORE DISCARDING PACKING CARTON!


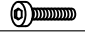
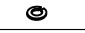


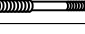

- 1) Turn the top frame upside down on a soft clean surface. Secure the leg into the back side of the top with the bolts(B), with the spring washer(C), the flat washers(D), and the wrench(E).
- 2) Secure the shelf frame into the legs with the bolts(F), and the wrench(A).
- 3) Place the adjustable floor glides into the legs. turn the table upside down
- 4) Place the plastic bumpers(G) onto the top frame. Place the glass top in
- 5) The assembling steps are done

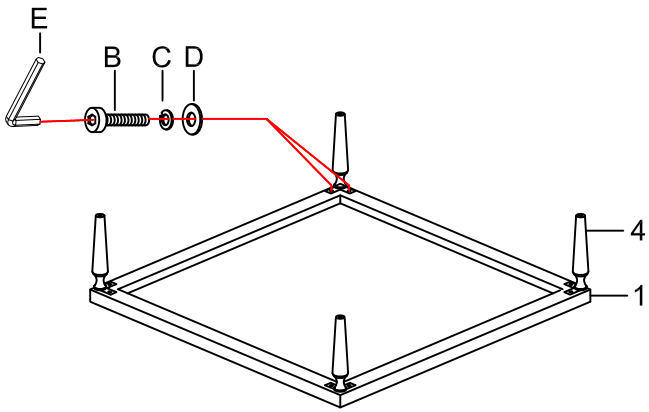
*** NOTE KEEP THIS SHEET!!! ***

In the unlikely event that you would need a replacement part, please contact your local authorized Caracole dealer.

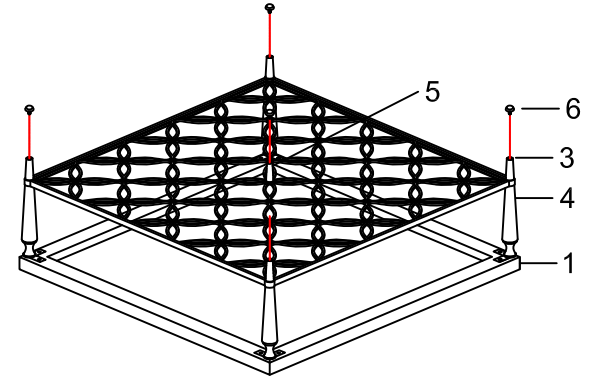


| CLA-442-401 | | | | |
|---------------------------|---|------------------------|--------------------|-----|
| WORKS LIKE A CHARM | | | | |
| Part List | | | | |
| NO. | Hardware List | | Part Number | QTY |
| 1 |  | Top Frame | CLA-418-413--03071 | |
| 2 |  | Glass Top | CLA-418-413-029 | 1 |
| 3 |  | Shelf frame | CLA-418-413-027 | 1 |
| 4 |  | Leg | CLA-418-413-018 | 4 |
| 5 |  | Central Support Leg | CLA-418-413-0118 | 1 |
| 6 |  | Adjustable Floor Glide | CLA-418-413-075 | 5 |

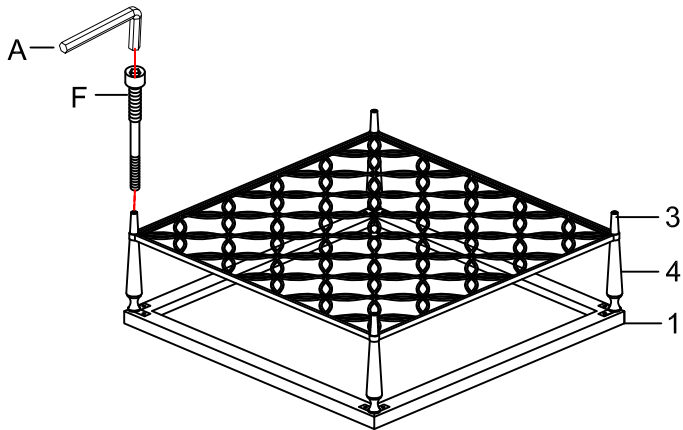
| RTA Hardware | | | | |
|---------------|---|---------------|-----------------|-----|
| Hardware List | | | | QTY |
| A |  | Allen Wrench | DIA 3/8**4" | 1 |
| B |  | Bolts | DIA 1/4**1-1/8" | 8 |
| C |  | Spring Washer | DIA 1/4" | 8 |
| D |  | Flat Washer | DIA 1/4**16mm | 8 |
| E |  | Allen Wrench | 4mm | 1 |
| F |  | Bolts | DIA 3/8**4" | 4 |
| G |  | Glear Bumper | | 8 |



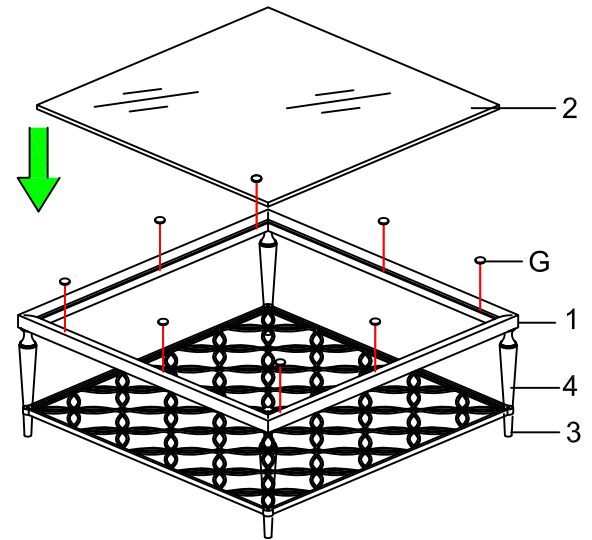
STEP 1



STEP 3



STEP 2



STEP 4