

CLA-422-231 CURRENTS

CARACOLE CLASSIC

ASSEMBLY INSTRUCTIONS

TWO PEOPLE REQUIRED

PLEASE UNPACK ALL PARTS AND CHECK AGAINST PARTS LIST ON THIS INSTRUCTION SHEET BEFORE DISCARDING PACKING AND CARTON!!

1. Lay on it's back on a soft, clean surface.
2. Attach legs to bottom frame using the flat washer (C), lock washer (D) and bolt (E), tighten with wrench provided (F). as shown in Diagram A
3. Glass shelf is packed at the top of the cabinet, carefully unpack them. Insert the shelf pins into the desired locations and place the shelves into the cabinet.




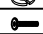

Apply the anti-tip restraint strap. (Follow instructions included with the kit)

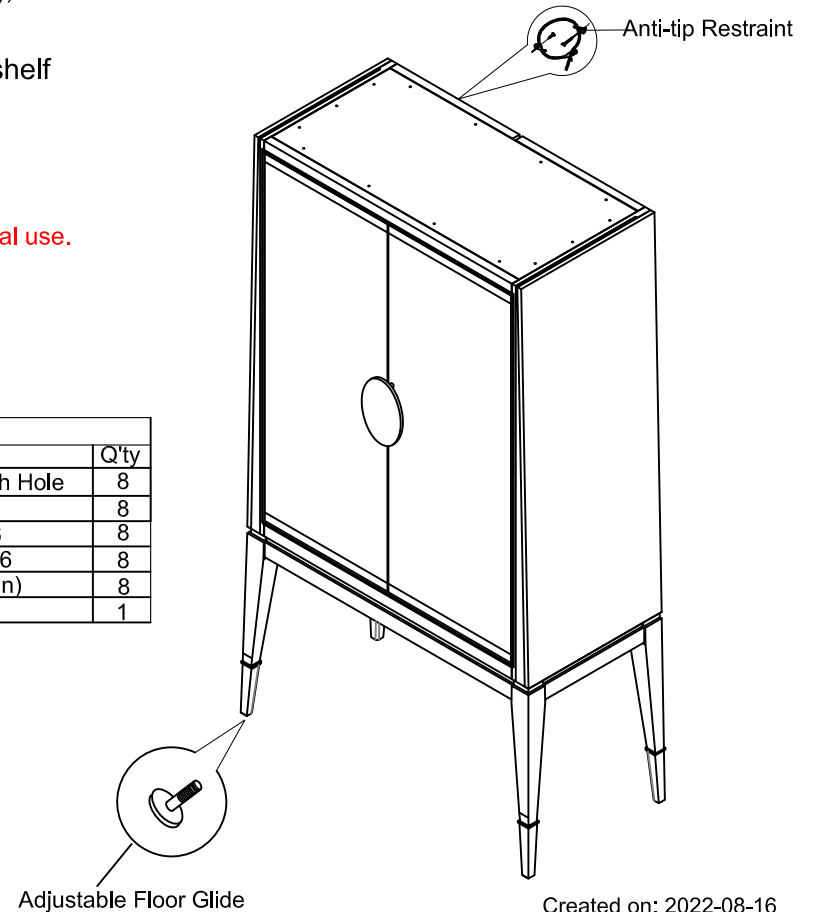
Note: Touch-up pen is provided for repair of minor issues resulting from transit, handling and normal use.

*** NOTE KEEP THIS SHEET!!!! ***

In the unlikely event that you would need a replacement, please contact your local authorized Caracole dealer.

Part Description	CLA-422-231	
	Part No.	QTY
Anti-tip Restraint	CLA-422-013-30157	1
Door Pull	CLA-422-533-2081	1
Drawer Knob	CLA-422-533-2084	6
Single Can Light	CLA-422-231-50358	1
Glass Shelf	CLA-422-231-5028	2
Drawer Guide 12"	CLA-422-531-20147	2 sets
Leg	CLA-422-231-5018	4
Metal Ferrule	CLA-422-231-50152	4
Adjustable Floor Glide	CLA-422-013-3075	4
RTA Hardware	CLA-422-231-5001	1
Light Strap with Touch Dimmer	CLA-422-231-40412	1
Touch -up Pen	CLA-422-211-20439	1
Touch -up Pen	CLA-422-231-50439	1

RTA Hardware			
	Hardware	List	Q'ty
A		Shelf Support with Hole	8
B		Clear Bumper	8
C		Flat Washer: 5/16	8
D		Lock Washer: 5/16	8
E		Bolt 5/16(in)x2.5(in)	8
F		Wrench	1



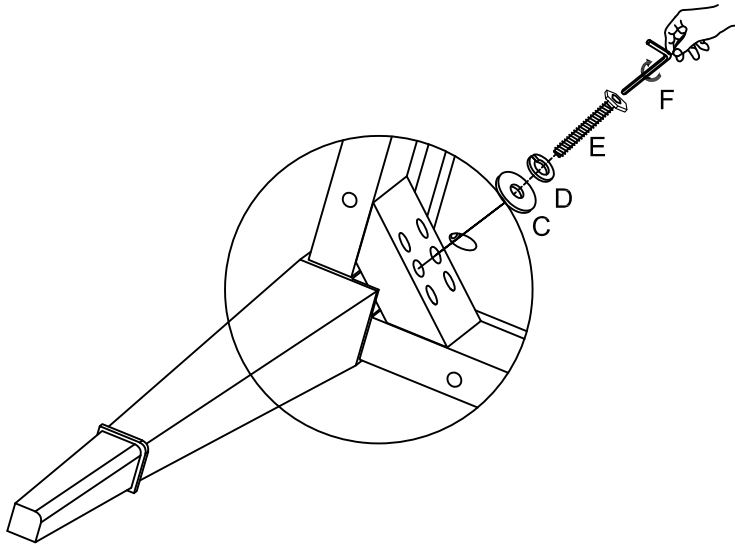
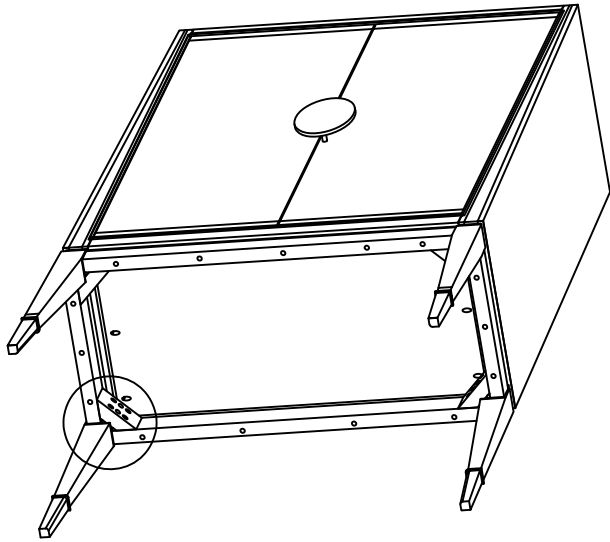


Diagram A

