

CLA-422-081 ENCORE CARACOLE CLASSIC

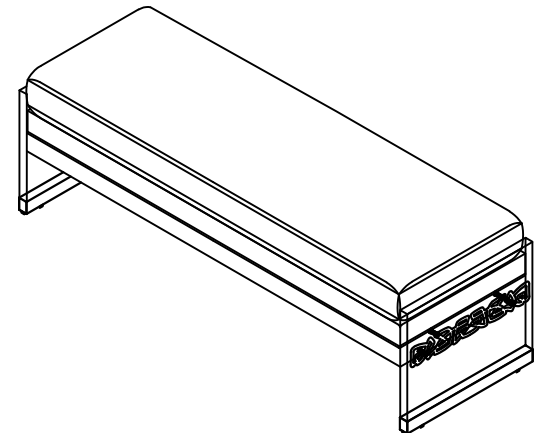
ASSEMBLY INSTRUCTIONS
TWO PEOPLE REQUIRED

PLEASE UNPACK ALL PARTS AND CHECK AGAINST PARTS LIST ON THIS INSTRUCTION SHEET BEFORE DISCARDING PACKING AND CARTON!!

1. Turn the seat cushion face down on a clean ,soft surface.
2. Attach Acrylic Legs to seat cushion using the flat washer (A), lock washer (B) and Bolt (C), tighten with wrench provided (D) as shown in diagram A.
3. Turn the bench to upright position.

*** NOTE KEEP THIS SHEET!!! ***

In the unlikely event that you would need a replacement, please contact your local authorized Caracole dealer.



CLA-422-081		
ENCORE		
Part Description	Part No.	QTY
Acrylic Leg with plate	CLA-422-081-3018	2 sets
Adjustable Floor Glide	CLA-422-013-3075	4




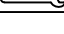
RTA Hardware			
Hardware List			Q'ty
A		Flat Washer: 5/16	8
B		Lock Washer: 5/16	8
C		Bolt 5/16(in)x53(mm)	8
D		Wrench	1

Diagram A

