

CLA-421-406 CHARMING CARACOLE CLASSIC

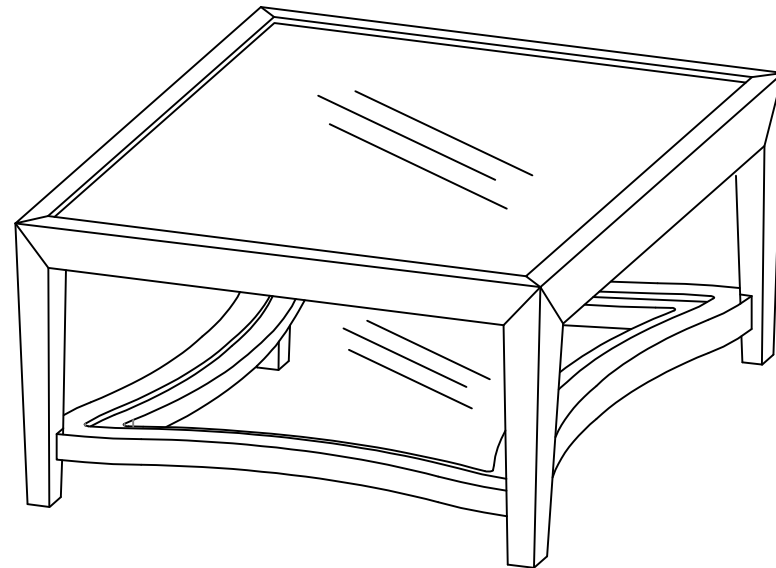
ASSEMBLY INSTRUCTIONS

PLEASE UNPACK ALL PARTS AND CHECK AGAINST PARTS LIST ON THIS INSTRUCTION SHEET BEFORE DISCARDING PACKING AND CARTON!!


1) Turn the table to the upright position. Take out the Glass Pad (A) from hardware bag then attach the Glass Top and Glass Shelf onto the frame.

***** NOTE KEEP THIS SHEET!!! *****

In the unlikely event that you would need a replacement part for your furniture, please contact your local authorized Caracole International dealer. If you need replacement hardware quickly, it could be purchased from your local hardware store.



CLA-421-406		
CHARMING		
Part Description	Part No.	QTY
Glass Top	CLA-419-441-2086	1
Glass Shelf	CLA-419-404-20350	1
Nail-in Floor Glide	CLA-419-441-20434	4
Glass Pad	CLA-419-441-20434	30

NO	Hardware List		Q'ty
A		Glass Pad	30

