

CLA-421-123H/F/R-143R CLEAR THE AIR KING/CK BED

CARACOLE CLASSIC

ASSEMBLY INSTRUCTIONS

TWO (2) PEOPLE AND PHILIP'S SCREWDRIVER REQUIRED

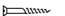
PLEASE UNPACK ALL PARTS AND CHECK AGAINST PARTS LIST ON THIS INSTRUCTION SHEET BEFORE DISCARDING PACKING AND CARTON!!




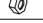


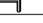
- 1) Connect the side rails and headboard / footboard by bolt (F).
- 2) Attach the center support rail on the Cleat of headboard & footboard, please NOTED that the end with sticker "H" towards headboard and " F" towards footboard. Using Philips' screw driver to tighten the screw (N) as shown in diagram B.
- 3) Attach the bed slats on the center support rail and cleat of side rails then using Philips' screw driver to tighten the screw (N) as shown in diagram D.
- 4) The bed slats are adjustable and you can move it to another location by Wrench provided (M) as shown in Diagram B.




*** NOTE KEEP THIS SHEET!!! ***

In the unlikely event that you would need a replacement part for your furniture, please contact your local authorized Caracole International dealer. If you need replacement hardware quickly, it could be purchased from your local hardware store.

| Part Description | CLA-421-123 KING BED | | CLA-421-143 CAL KING BED | |
|-------------------------------|-------------------------|-----|-----------------------------|-----|
| | Part No. | QTY | Part No. | QTY |
| Headboard (1) | CLA-421-123-H | 1 | CLA-421-123-H | 1 |
| Footboard (2) | CLA-421-123-F | 1 | CLA-421-123-F | 1 |
| Side Rail (3) | CLA-421-123R | 2 | CLA-421-143R | 2 |
| Center Support Rail (4) | CLA-421-123-R | 2 | CLA-421-123-R | 2 |
| Slat (5) | CLA-421-123-F-3067 | 5 | CLA-421-123-F-3067 | 5 |
| RTA Hardware(6) | CLA-421-123-H-30444 | 1 | CLA-421-123-H-30444 | 1 |
| RTA Hardware(7) | CLA-421-123-R-30443 | 1 | CLA-421-123-R-30443 | 1 |
| RTA Hardware(8) | CLA-421-123-R-3001 | 1 | CLA-421-123-R-3001 | 1 |
| Adjustable Cleat on Side Rail | CLA-421-123-R-30442 | 2 | CLA-421-143-R-30442 | 2 |
| Adjustable Cleat on Headboard | CLA-421-123-H-30441 | 1 | CLA-421-123-H-30441 | 1 |
| Adjustable Cleat on Footboard | CLA-421-123-H-30441 | 1 | CLA-421-123-H-30441 | 1 |
| RTA Hardware(9) | CLA-421-123-F-3001 | 1 | CLA-421-123-F-3001 | 1 |

| RTA Hardware for bed slats (9) | | | |
|--------------------------------|---|-----------------|----|
| N |  | Screw(4.2x32MM) | 34 |

| RTA Hardware For Side rail (8) | | | |
|--------------------------------|---|--------------------|------|
| NO. | | Hardware List | Q'ty |
| A |  | Curved Washer | 8 |
| B |  | Flat Washer(5/16") | 8 |
| C |  | Lock Washer(5/16") | 8 |
| D |  | Nut | 8 |
| E |  | Wrench | 1 |
| F |  | Bolt (8X100MM) | 8 |
| M |  | Wrench | 1 |

| RTA Hardware for adjustable side rail cleat (7) | | | |
|---|---|---------------------------|------|
| NO. | | Hardware List | Q'ty |
| G |  | Bolt(1/4"X38MM) | 20 |
| H |  | Flat Washer(1/4"R8x2MM) | 20 |
| I |  | Lock Washer(1/4"R5x1.5MM) | 20 |

| RTA Hardware for Center Support Rail (6) | | | |
|--|---|---------------------------|------|
| NO. | | Hardware List | Q'ty |
| G |  | Bolt(1/4"X38MM) | 4 |
| H |  | Flat Washer(1/4"R8x2MM) | 4 |
| I |  | Lock Washer(1/4"R5x1.5MM) | 4 |

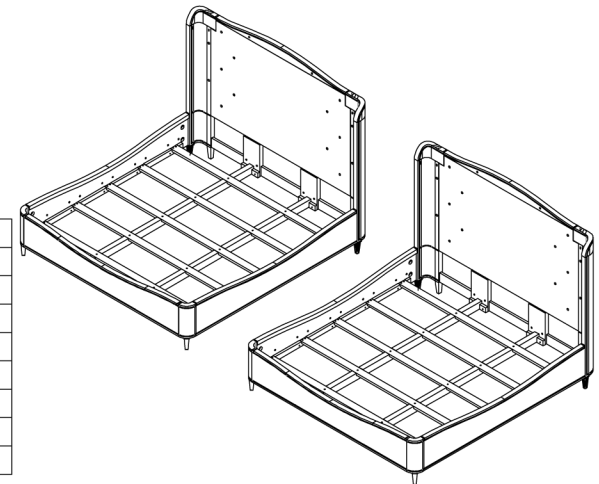


Diagram A

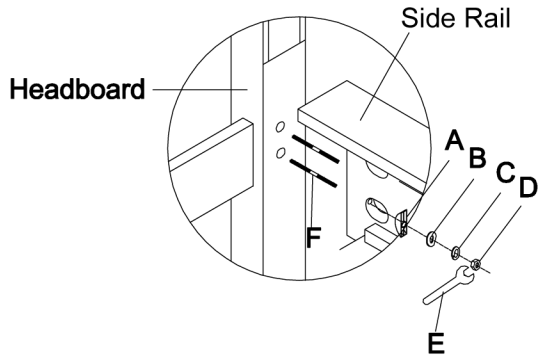


Diagram B

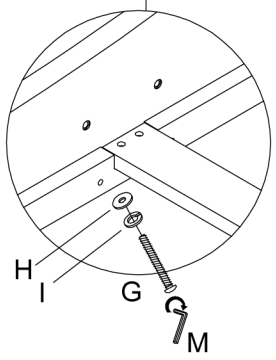


Diagram B

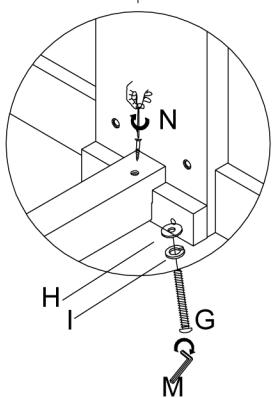


Diagram D

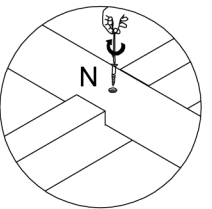
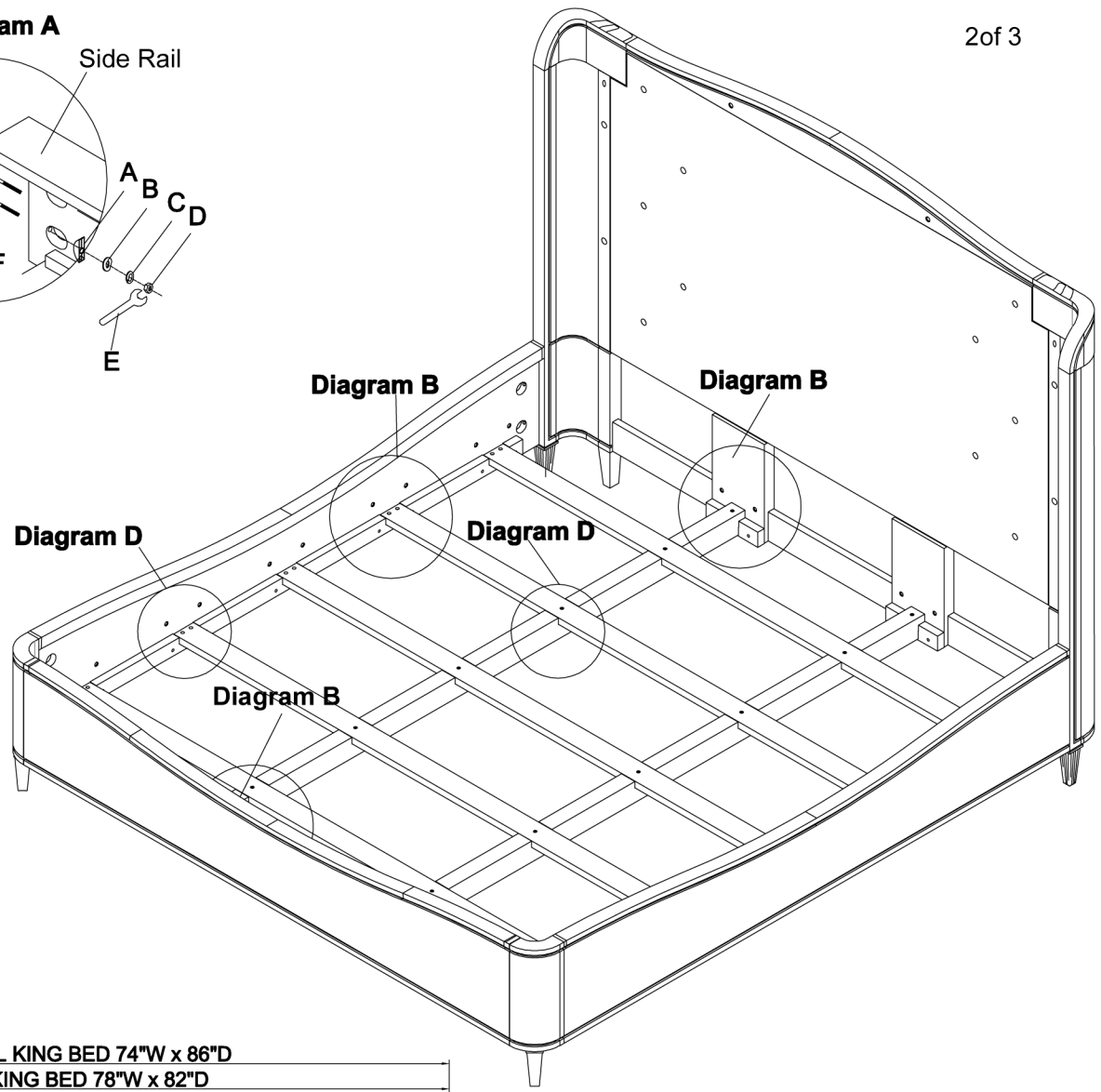
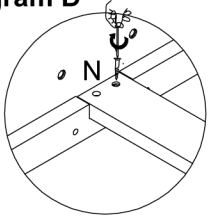
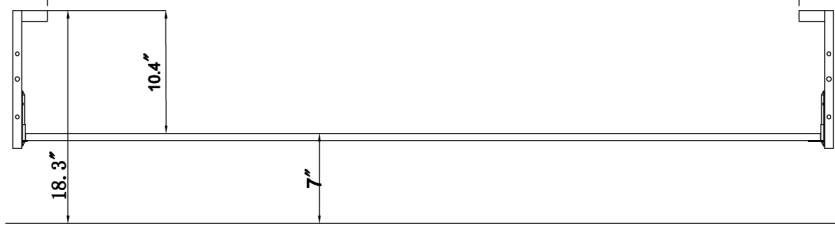
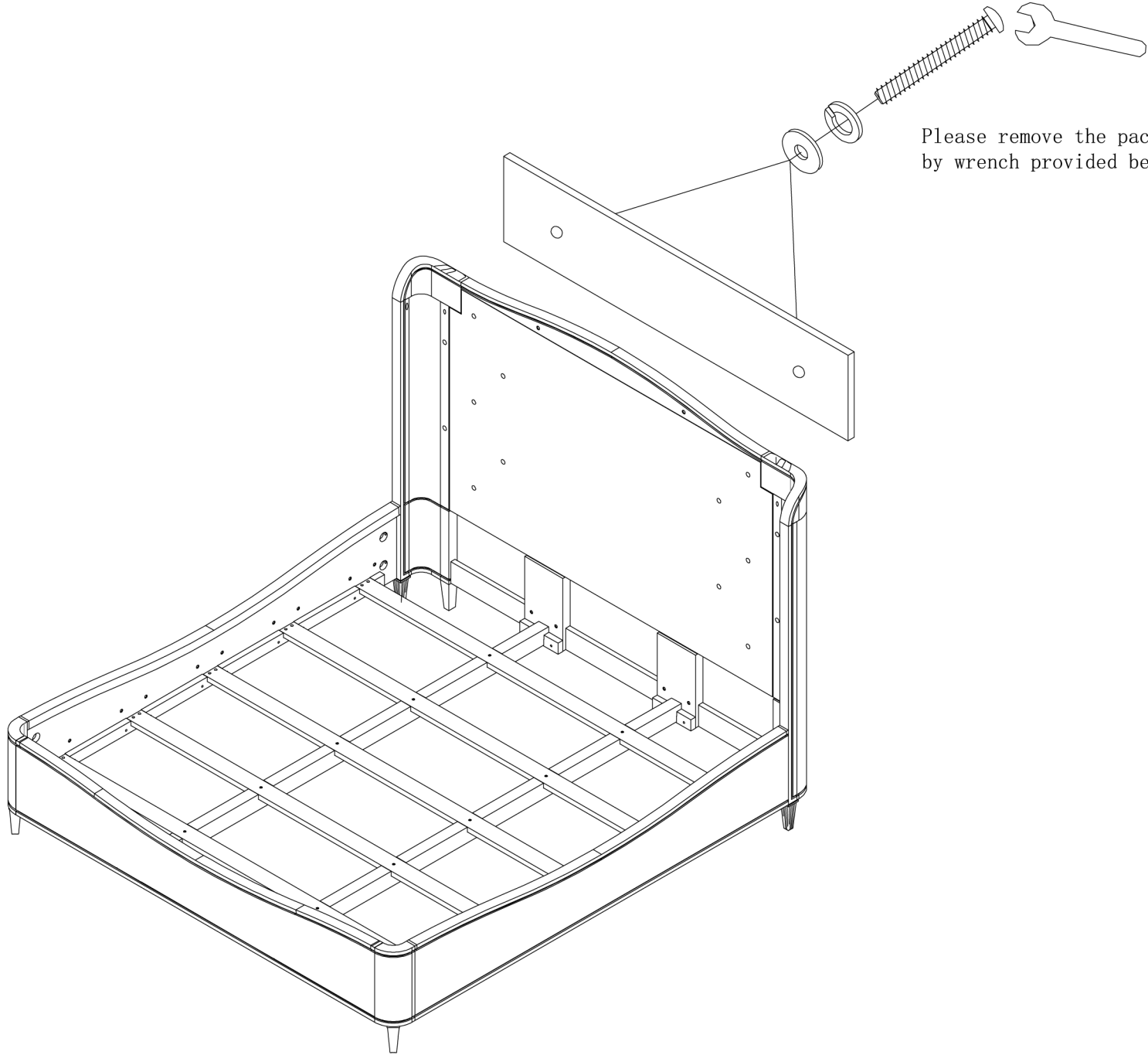


Diagram D



CAL KING BED 74"W x 86"D
KING BED 78"W x 82"D





Please remove the package protect-panel by wrench provided before using the headboard.