

CLA-420-202 THE SOURCE

CARACOLE CLASSIC

ASSEMBLY INSTRUCTIONS

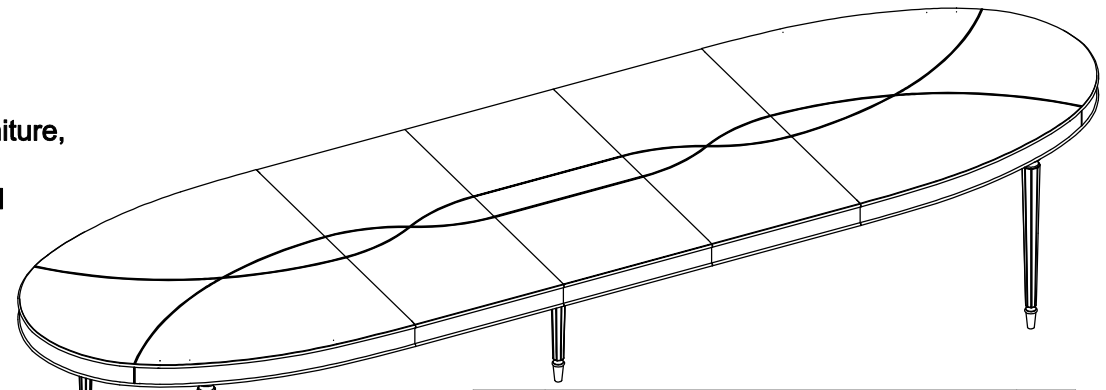
TWO (2) PEOPLE AND PHILIP WRENCH REQUIRED

UNPACK ALL PARTS AND CHECK AGAINST PARTS LIST ON THIS INSTRUCTION SHEET BEFORE DISCARDING PACKING AND CARTONING!!







- 1) Turn the Top / Apron Assembly (1) face down on a smooth, clean surface.
- 2) Attach the leg (3) to the Top / Apron Assembly (1) using flat washers (C), lock washers (B) and bolts (A) tighten with wrench provided (D) as shown in (Drawing A) .
- 3) Using two people carefully return the table to the upright position. Then place the numbered leaves in the table as shown in (Drawing B).
- 4) Connect the center leg (4) with the mounting plate using Flat washer (C), Lock washer (B), and the nut (F), tighten with the wrench provided (D) as shown in (Drawing C) .
- 5) Turn the Center leaf on a smooth, clean surface then attached the center leg & mounting plate assembled to leaf using Lock washer (B), Flat washer (C) and bolt (F), tighten with wrench provided (D) as shown in (Drawing D)
- 6) Put the center leaf in the table and line up the side panel and leaves properly then tighten the entire locks. (note: please adjust the floor glide on the center leg if necessary)

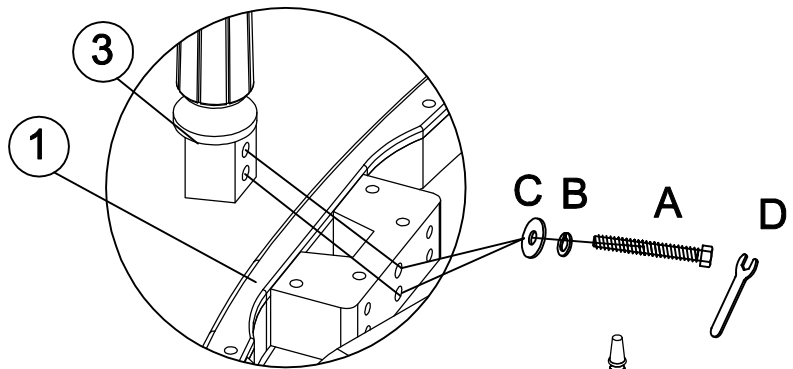
***** NOTE KEEP THIS SHEET!!! *****

In the unlikely event that you would need a replacement part for your furniture, please contact your local authorized Caracole International dealer. If you need replacement hardware quickly, it could be purchased from your local hardware store.

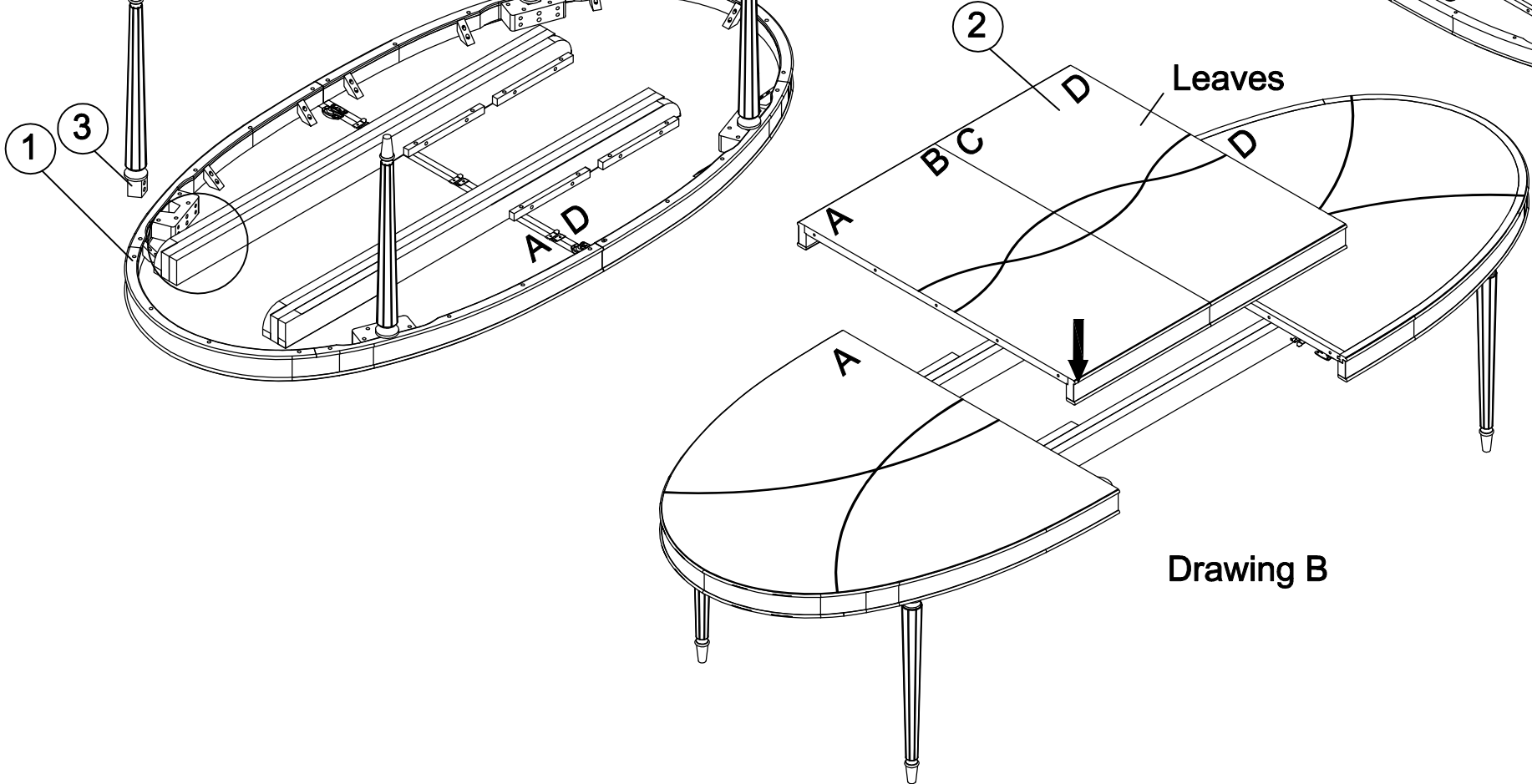
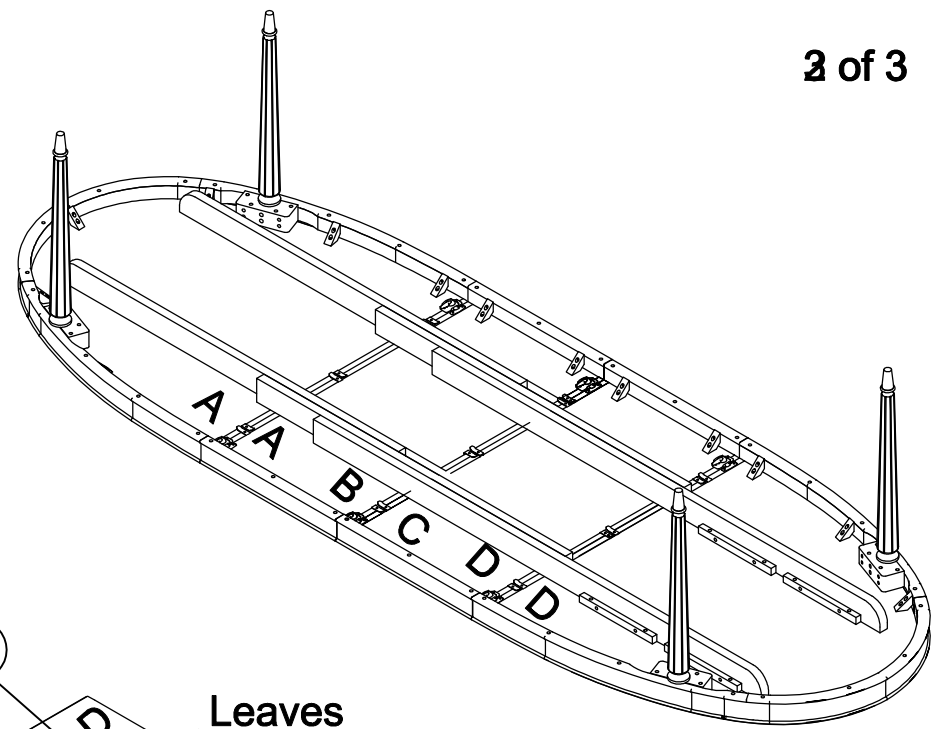
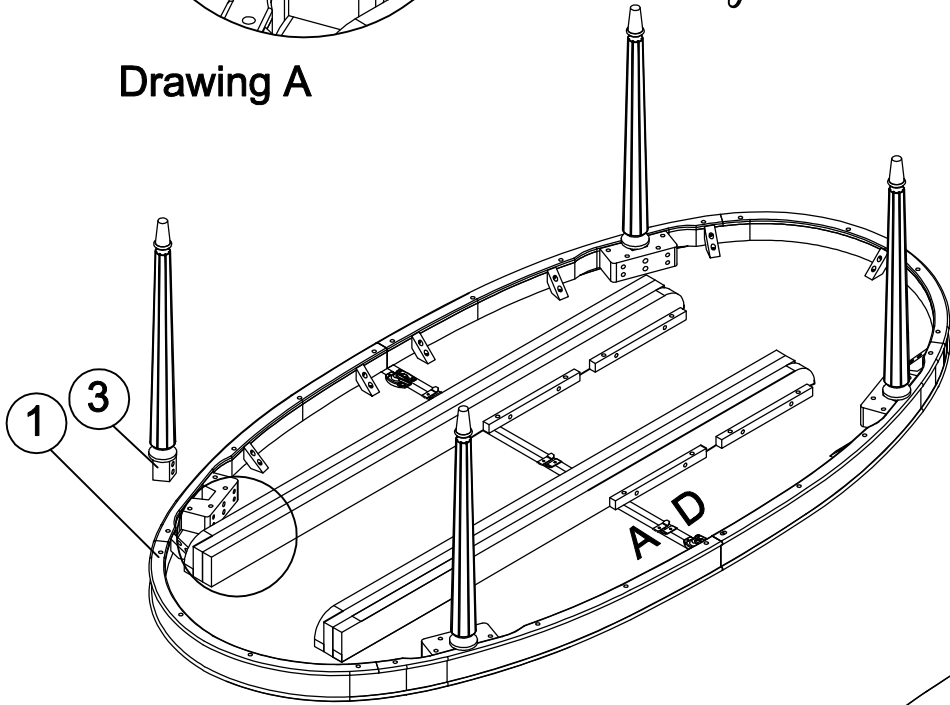


CLA-420-202 THE SOURCE		
Part Description		QTY
Top/Apron Assembly(1)	0123	1
Dining Table Leaf (2)	060	3
Dining Table Lock	0150	8sets
Legs (3)	018	4
Center Leg(4)	0349	1
Mounting Plate (5)	40151	1
Metal Ferrule	006	5
RTA Hardware	001	1
Adjustable Floor Glide	075	1

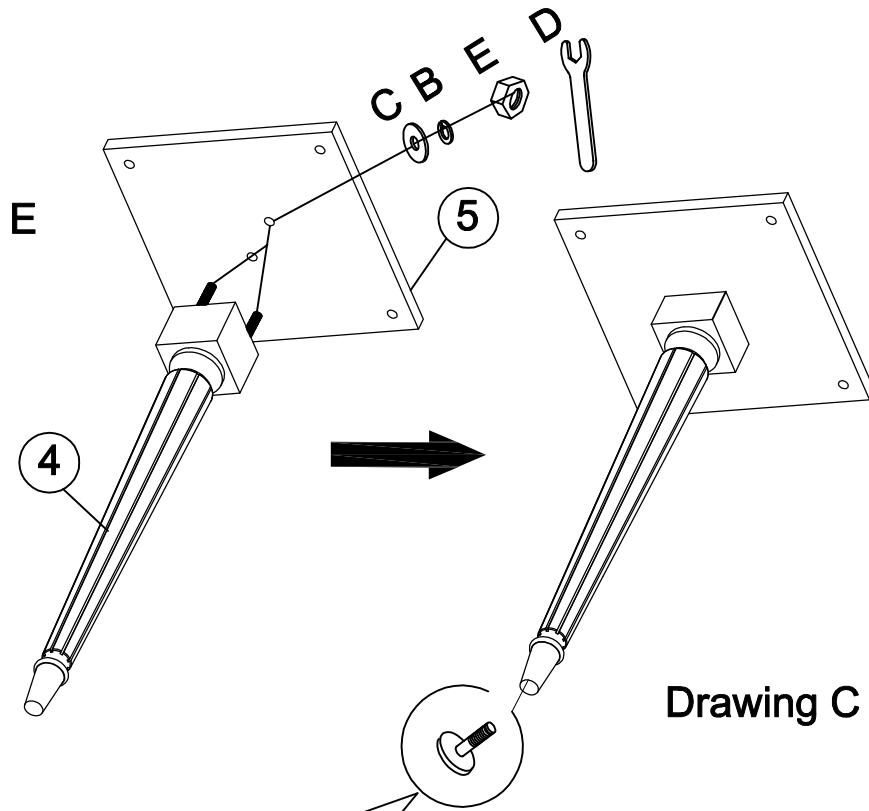
NO.	Hardware List			Q'ty
A		Bolt	5/16"X2 1/2"	8
B		Lock Washer	5/16"	10
C		Flat Washer	5/16"	10
D		Wrench	5/16"	1
E		Nut	5/16"	2
F		Bolt	5/16"X 1/4"	4



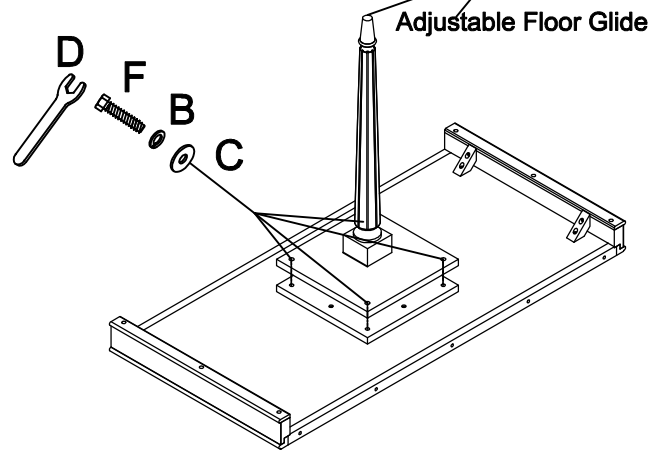
Drawing A



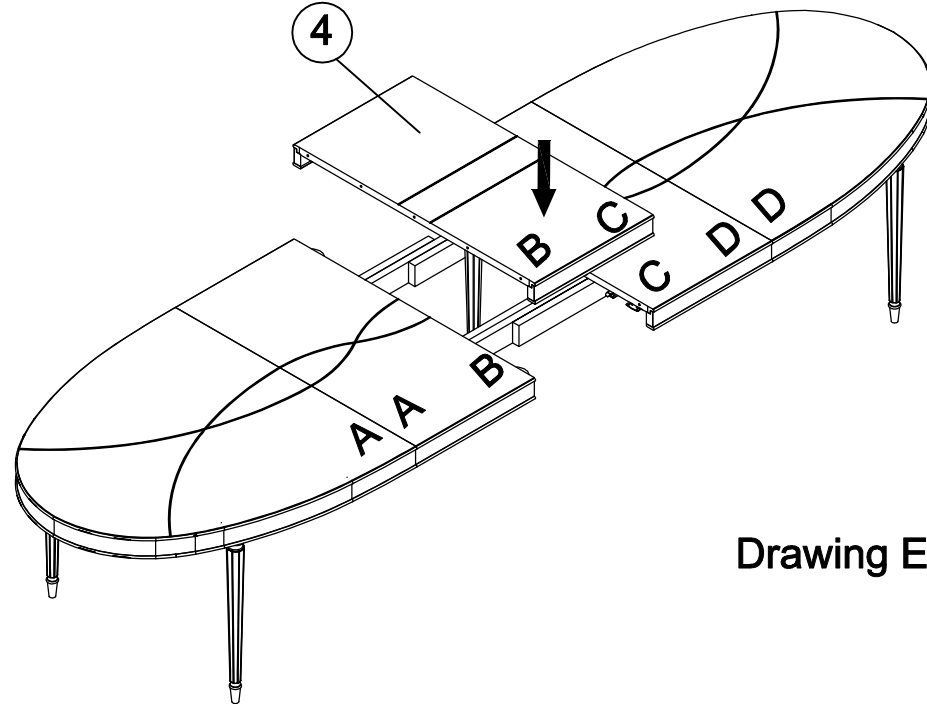
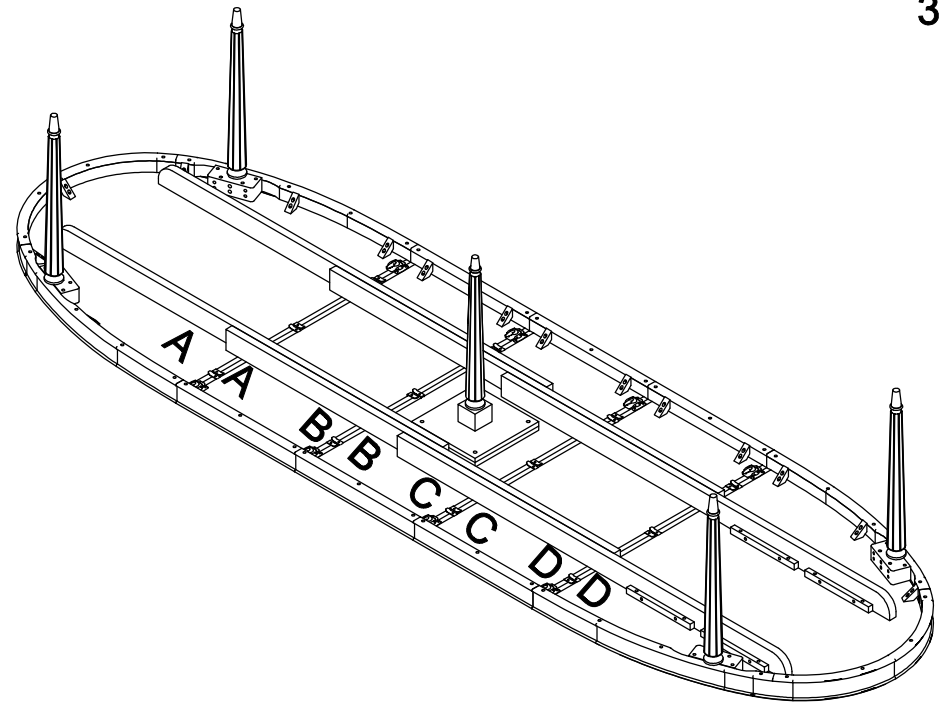
Drawing B



Drawing C



Drawing D



Drawing E