

CLA-420-102/122H/F-102R SUITE DREAMS QUEEN/KING BED

CARACOLE CLASSIC

ASSEMBLY INSTRUCTIONS

TWO (2) PEOPLE AND PHILIP'S SCREWDRIVER REQUIRED

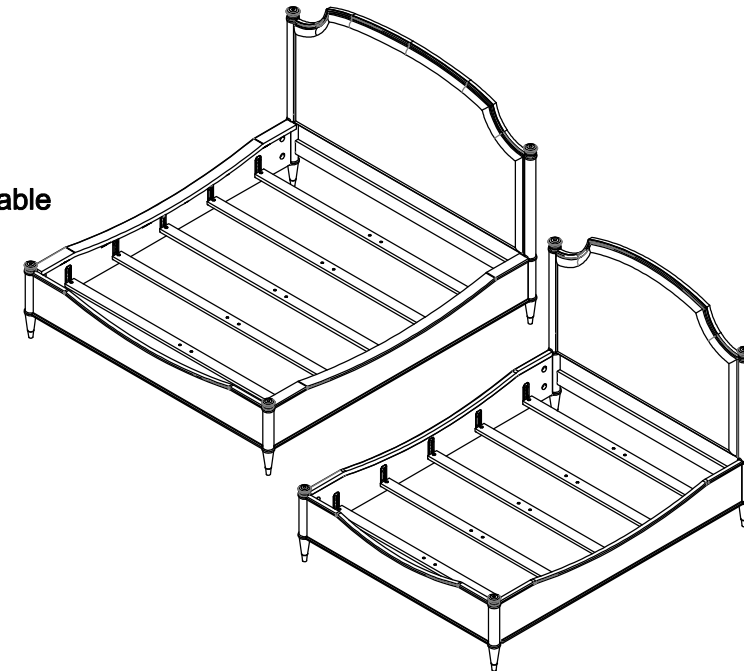
PLEASE UNPACK ALL PARTS AND CHECK AGAINST PARTS LIST ON THIS INSTRUCTION SHEET BEFORE DISCARDING PACKING AND CARTON!!

- 1) Connect the side rails and headboard / footboard by bolt (F).
- 2) Assemble the side rails and headboard / footboard using the curved washer (A), flat washer (B), lock washer (C), and nut (D) tighten with wrench provided (E), as shown in Diagram A.
- 3) Attach the support legs to slats using flat washer (K), lock washer (L) and bolt (J), tighten by wrench provided (M). Adjust the support leg if necessary as shown in Diagram B.
- 4) Attach the adjustable slats system (H) to the side rails and locked to a needed position, using Philips screw driver to tighten the screw (G) if necessary. Attach the assembled slats & support leg to the adjustable slats system using bolt (N), tighten by wrench provided (R). Using Philips screw driver to tighten the screw (G) if necessary as shown in Diagram C.
- 5) There are 2 kinds of decorative finial for headboard and 1 decorative finial for footboard, please assemble it as shown in Diagram D.

Note: Touch-up pen is provided for repair of minor issues resulting from transit, handling and normal use.

*** NOTE KEEP THIS SHEET!!! ***

In the unlikely event that you would need a replacement part for your furniture, please contact your local authorized Caracole International dealer. If you need replacement hardware quickly, it could be purchased from your local hardware store.



Part Description	CLA-420-102		CLA-420-122	
	Part No.	QTY	Part No.	QTY
Headboard (1)	CLA-420-102-H	1	CLA-420-122-H	1
Footboard (2)	CLA-420-102-F	1	CLA-420-122-F	1
Side rail (3)	CLA-420-102-R	2	CLA-420-102-R	2
Slat (4)	CLA-420-102-F-3067	5	CLA-420-122-F-3067	5
Support leg(5)	CLA-420-102-F-30305	5	CLA-420-122-F-30305	5
RTA Hardware(6)	CLA-420-102-F-3001	1	CLA-420-122-F-3001	1
RTA Hardware(7)	CLA-420-102-R3001	1	CLA-420-122-R-3001	1
Headboard Finial (longer)	CLA-420-102-H-30202	2	CLA-420-122-H-30202	2
Footboard Finial	CLA-420-102-F-3057	2	CLA-420-122-F-3057	2
Headboard Finial (shorter)	CLA-420-102-H-30203	2	CLA-420-122-H-30203	2
Touch-up Pen	CLA-420-031-30439	1	CLA-420-031-30439	1

RTA Hardware (3) For Side rail			
NO.		Hardware List	Q'ty
A		Curved Washer	8
B		Flat Washer	8
C		Lock Washer	8
D		Nut	8
E		Wrench	1
F		Bolt	8
G		Screw(4.2x20)	20
H		Adjustable slats system	10

RTA Hardware (2) For Support leg			
NO.		Hardware List	Q'ty
J		Bolt	10
K		Flat Washer	10
L		Lock Washer	10
M		Wrench	1
N		Bolt	10
R		Wrench	1
G		Screw(4.2x20)	20

Diagram A

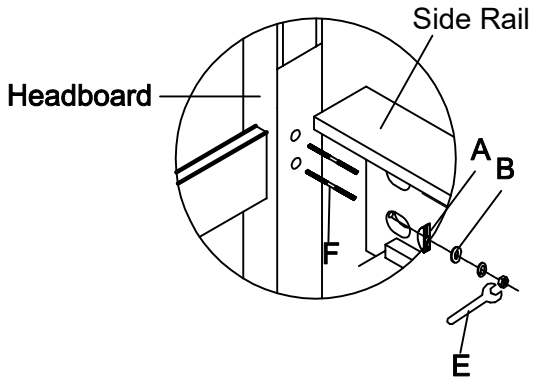


Diagram B

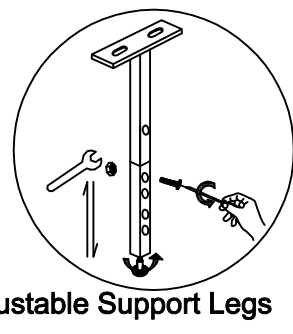
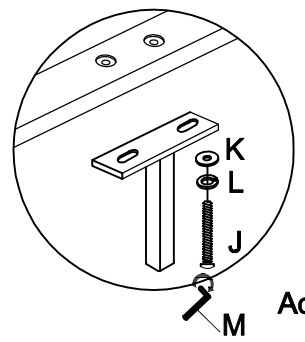


Diagram C

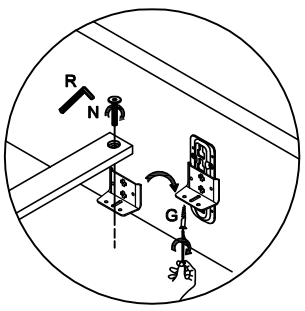
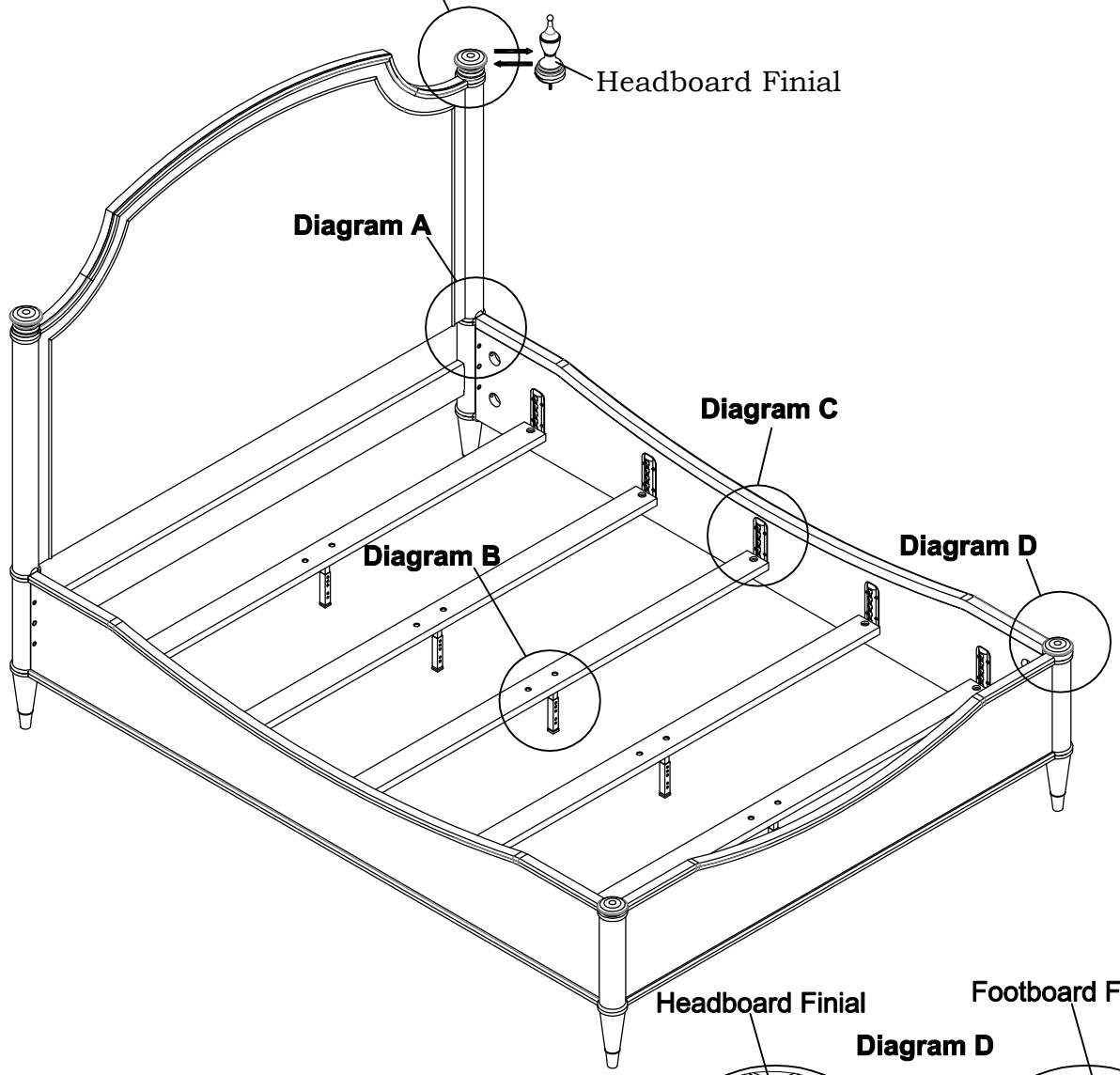


Diagram D



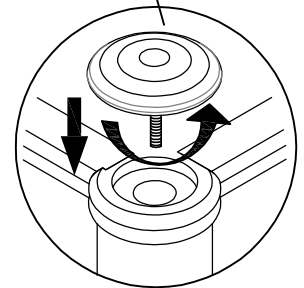
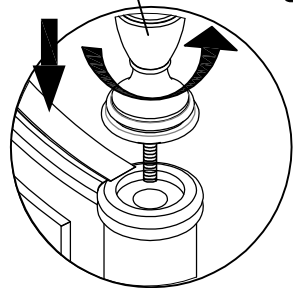
Headboard Finial

Diagram D

Headboard Finial

Footboard Finial

Diagram D



CAL KING BED 74"W x 86"D
 KING BED 78"W x 82"D
 QUEEN BED 62"W x 82"D

