

CLA-419-462 A SHIMMER OF LIGHT CARACOLE CLASSIC

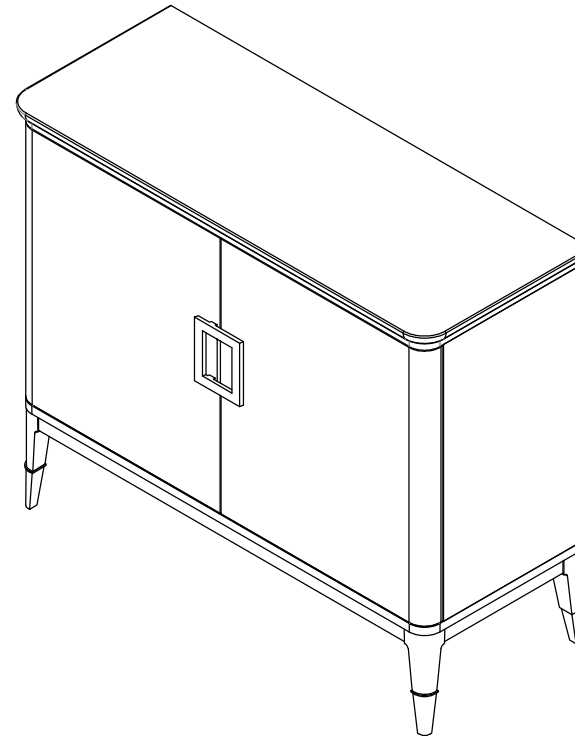
ASSEMBLY INSTRUCTIONS

PLEASE UNPACK ALL PARTS AND CHECK AGAINST PARTS LIST ON THIS INSTRUCTION SHEET BEFORE DISCARDING PACKING AND CARTON!!

This is a set-up case and no assembly is required except for anti-tipping restraint stripes. (follow instruction for anti-tipping restraint assembly)

***** NOTE KEEP THIS SHEET!!! *****

In the unlikely event that you would need a replacement part for your furniture, please contact your local authorized Schnadig International dealer. If you need replacement hardware quickly, it could be purchased from your local hardware store.



	CLA-419-462 A SHIMMER OF LIGHT	
Part Description	Part No.	QTY
Adjustable Floor Glide	CLA-016-212-2075	4
Door Handle	CLA-016-212-2082	1
Drawer pull	CLA-016-212-2083	1
Anti-tip restraint	CLA-016-212-20157	1
Drawer Guide 13.8"	CLA-419-462-20143	1set
Adjustable Shelf	CLA-419-462-2023	3

