

CLA-419-451 MOMENT OF CLARITY CARACOLE CLASSIC

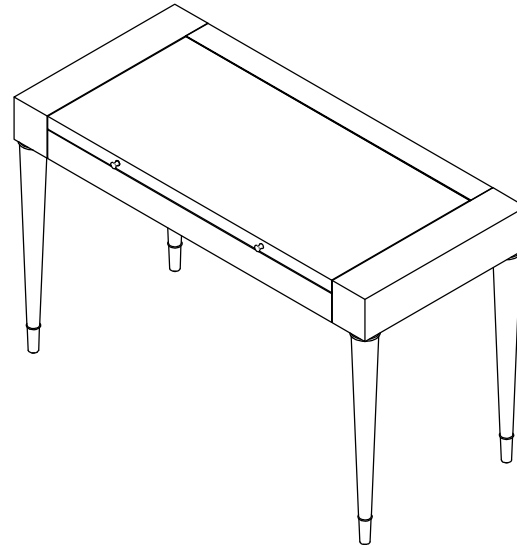
ASSEMBLY INSTRUCTIONS
TWO(2)PEOPLE REQUIRED

PLEASE UNPACK ALL PARTS AND CHECK AGAINST PARTS LIST ON THIS INSTRUCTION SHEET BEFORE DISCARDING PACKING AND CARTON!!

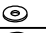



1. Turn the table top face down on a smooth ,soft surface.
2. Attach legs to table top using the flat washer (A), lock washer (B) and nut (C), tighten with wrench provided (D) as shown in diagram A.
3. Turn the table to upright position.

***** NOTE KEEP THIS SHEET!!! *****

In the unlikely event that you would need a replacement part for your furniture, please contact your local authorized Schnadig International dealer. If you need replacement hardware quickly, it could be purchased from your local hardware store.



CLA-419-451 MOMENT OF CLARITY		
Part Description	Part No.	QTY
Leg	CLA-419-451-2018	4
Glass Pad	CLA-419-532-2010	2
Drawer Knob	CLA-419-532-3083	2
Assembly Hardware	CLA-419-451-2001	1

RTA Hardware			
Hardware List			Q'ty
A		Flat Washer: 1/4	8
B		Lock Washer: 1/4	8
C		Bolt 1/4(in)x110(mm)	8
D		Wrench	1

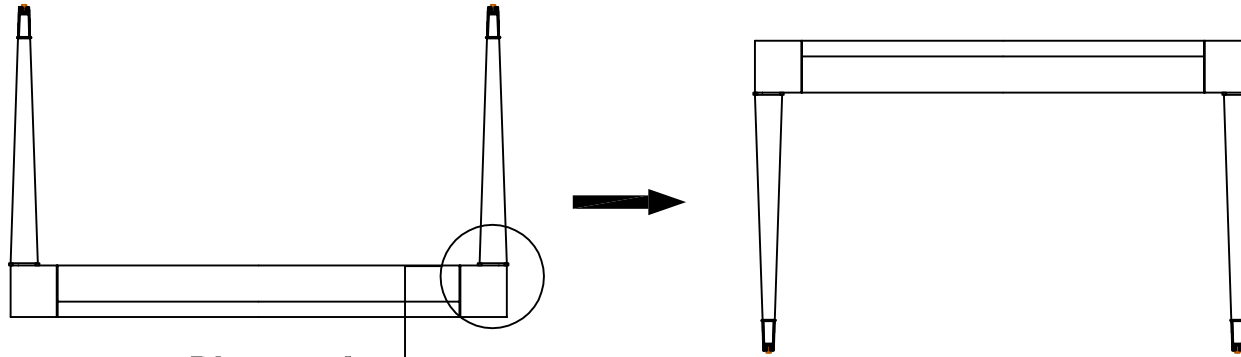


Diagram A

