

# CLA-419-417 RISING STAR

## CARACOLE CLASSIC

### ASSEMBLY INSTRUCTIONS

**PLEASE UNPACK ALL PARTS AND CHECK QUANTITY AGAINST PARTS LIST BEFORE DISCARDING PACKING CARTON!**

Assembling Steps:

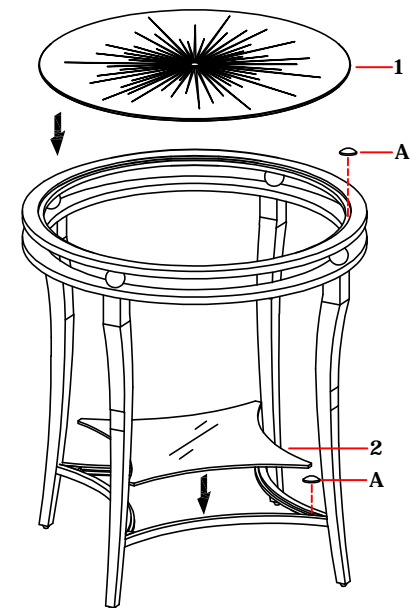
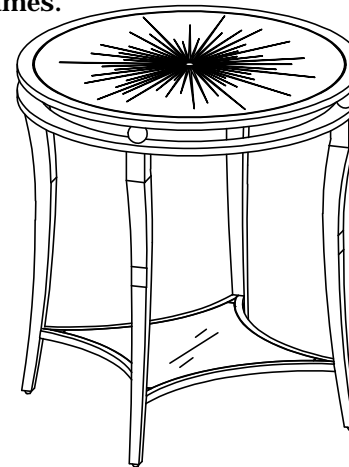
**Step 1: Unpack the carton and put the metal frame upright on a flat floor.**




**Step 2: Put the clear plastic bumpers on the top frames and shelf frames.**


**Step 3: Put the glass top and glass shelf onto the metal top frames and shelf frames.**

\*\*\* NOTE KEEP THIS SHEET \*\*\*

In the unlikely event that you would need a replacement part for your furniture, please contact your local authorized Schnadig International dealer. If you need replacement hardware quickly, it could be purchased from your local hardware store.



CLA-419-417				
RISING STAR				
Part List				
Hardware List			Part Number	QTY
1		Glass Top	CLA-419-417-029	1
2		Glass Shelf	CLA-419-417-028	1
3		Adjustable Floor Glide	CLA-419-417-075	4

RTA Hardware			
Hardware List			QTY
A		Clear Bumper	10