

CLA-419-413 PERFECTLY ADAPTABLE

CARACOLE CLASSIC

ASSEMBLY INSTRUCTIONS

PLEASE UNPACK ALL PARTS AND CHECK QUANTITY AGAINST PARTS LIST BEFORE DISCARDING PACKING CARTON!

Assembling Steps:

Step 1: Assemble Metal Frame Top (1) and Metal Decorative Ring (5) and Upper Leg Post (3) according to the diagram.

Step 2: Assemble Metal Decorative Ring (5) and Metal Frame Shelf (2) and Bottom Leg (4) according to the diagram.

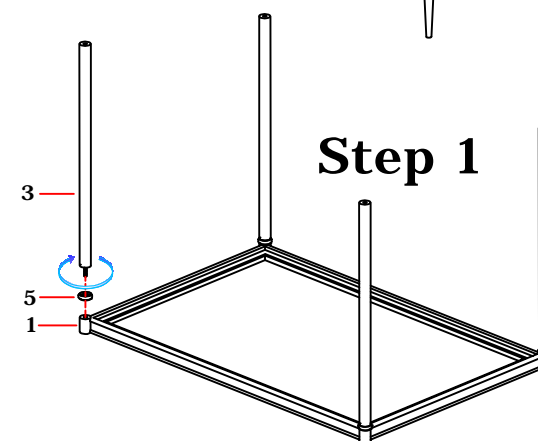
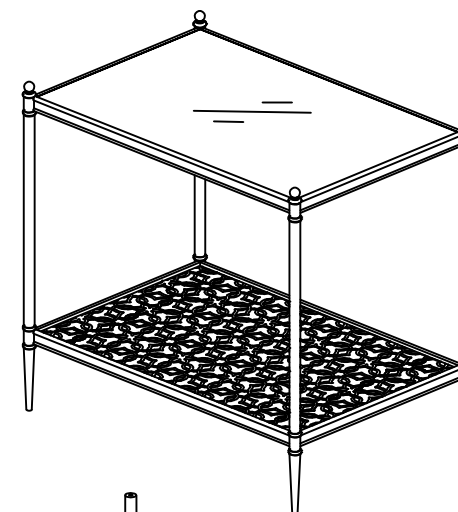
Step 3: Assemble Eglomised Mirror Shelf (8) according to the diagram.



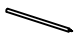



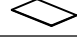


Step 4: Assemble Gear Bumper(A) and Glass Top (7) according to the diagram.

Step 5: Assemble Metal Decorative Ball (6) according to the diagram.

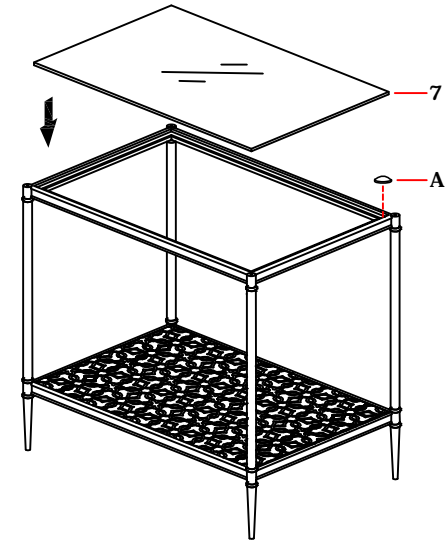
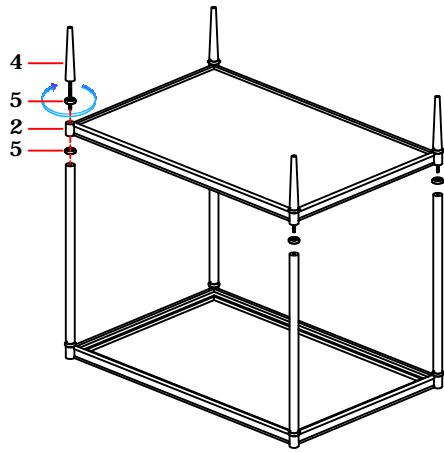
*** NOTE KEEP THIS SHEET ***

In the unlikely event that you would need a replacement part for your furniture, please contact your local authorized Schnadig International dealer. If you need replacement hardware quickly, it could be purchased from your local hardware store.



CLA-419-413				
PERFECTLY ADAPTABLE				
Part List				
Hardware List		Part Number	QTY	
1		Metal Frame Top	CLA-419-413-0307	1
2		Metal Frame Shelf	CLA-419-413-0306	1
3		Upper Leg Post	CLA-419-413-0305	4
4		Bottom Leg	CLA-419-413-018	4
5		Metal Decorative Ring	CLA-419-413-0199	12
6		Metal Decorative Ball	CLA-419-413-0219	4
7		Glass Top	CLA-419-413-029	1
8		Eglomised Mirror Shelf	CLA-419-413-028	1
9		Adjustable Floor Glide	CLA-419-413-075	4

RTA Hardware			
Hardware List			QTY
A		Gear Bumper	4



Step 2 Step 4
Step 3 Step 5

