

CLA-419-403 PERFECTABLE

CARACOLE CLASSIC

ASSEMBLY INSTRUCTIONS

PLEASE UNPACK ALL PARTS AND CHECK QUANTITY AGAINST PARTS LIST BEFORE DISCARDING PACKING CARTON!

Assembling Steps:

Step 1: Assemble the Metal Top Frame (1) and the Upper Leg Post (3) according to the diagram.

Step 2: Assemble the Metal Shelf Frame (2) and the Bottom Leg (4) according to the diagram.



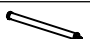
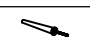




Step 3: Assemble the Eglomised Mirror Shelf (7) according to the diagram.


Step 4: Assemble the Glass Top (6) and put on the Glear Bumpers(A) according to the diagram.

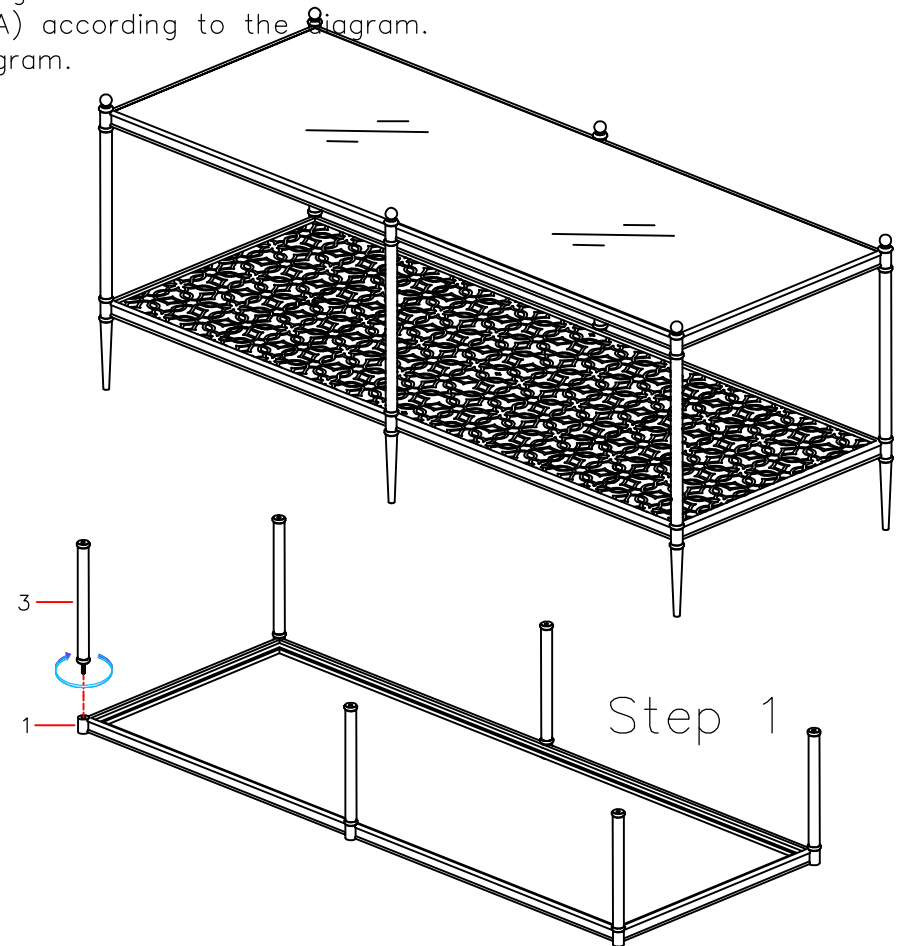
Step 5: Assemble the Metal Decorative Ball (5) according to the diagram.

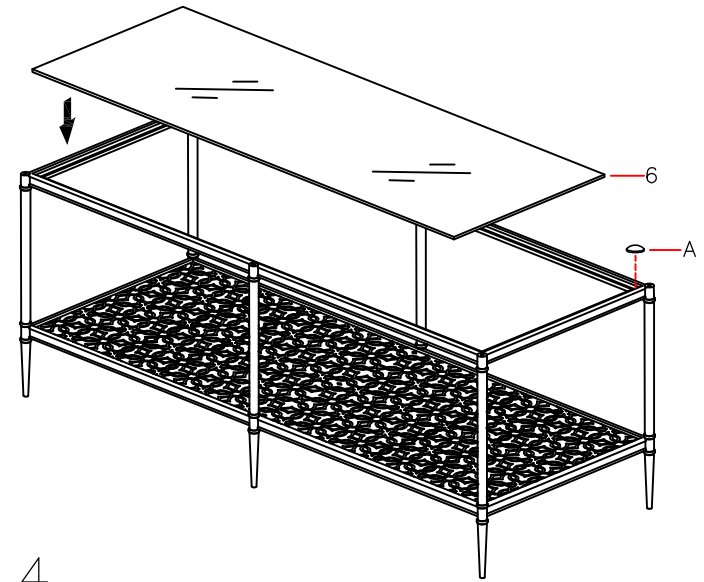
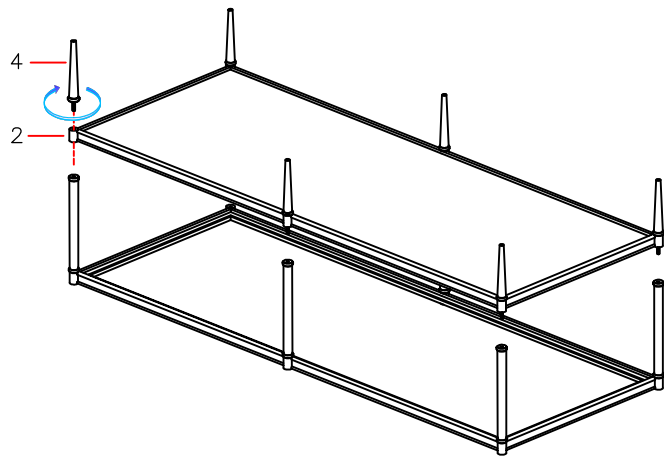
***** NOTE KEEP THIS SHEET *****

In the unlikely event that you would need a replacement part for your furniture, please contact your local authorized Schnadig International dealer. If you need replacement hardware quickly, it could be purchased from your local hardware store.

CLA-419-403				
PERFECTABLE				
Part List				
Hardware List		Part Number	QTY	
1		Metal Top Frame	CLA-419-403-0307	1
2		Metal Shelf Frame	CLA-419-403-0306	1
3		Upper Leg Post	CLA-419-403-0305	6
4		Bottom Leg	CLA-419-403-018	6
5		Metal Decorative Ball	CLA-419-403-0219	6
6		Clear Glass Top	CLA-419-403-029	1
7		Eglomised Mirror Shelf	CLA-419-403-028	1
8		Adjustable Floor Glide	CLA-419-403-075	6

RTA Hardware			
Hardware List			QTY
A		Glear Bumper	6





Step 2 Step 4
Step 3 Step 5

