

CLA-419-063 GIVE IT A REED

CARACOLE CLASSIC

ASSEMBLY INSTRUCTIONS

PLEASE UNPACK ALL PARTS AND CHECK QUANTITY AGAINST PARTS LIST BEFORE DISCARDING PACKING CARTON!

Assembling Steps:

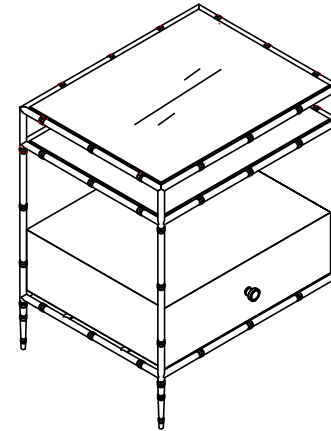
Step 1: Unpack the carton and put the metal frame upright on a flat floor.

Step 2: Put the clear plastic bumpers on the top frames and shelf frames.

Step 3: Put the glass top and glass shelf onto the metal top frames and shelf frames.

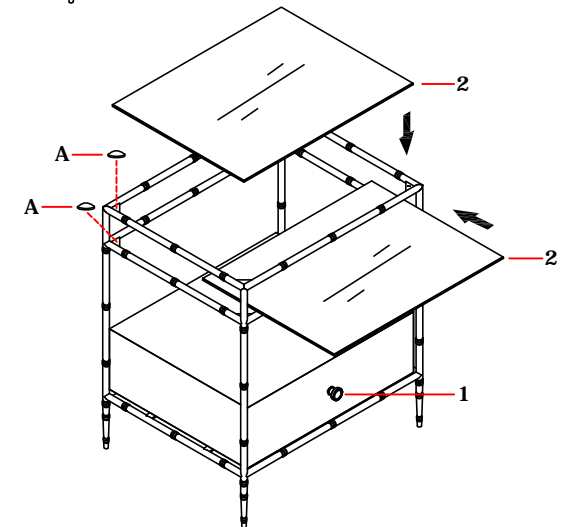
Step 4: The drawer pull was pre-installed inside the drawer.




To use the drawer, we need to unsecure it first, and then install it outside the drawer front.




*** NOTE KEEP THIS SHEET ***

In the unlikely event that you would need a replacement part for your furniture, please contact your local authorized Schnadig International dealer. If you need replacement hardware quickly, it could be purchased from your local hardware store.



CLA-419-063				
GIVE IT A REED				
Part List				
Hardware List		Part Number	QTY	
1		Drawer pull	CLA-419-063-083	1
2		Glass Top/Shelf	CLA-419-063-029	2
3		Adjustable Floor Glide	CLA-419-063-075	4

RTA Hardware			
Hardware List			QTY
A		Clear Bumper	8