

CLA-418-442 HIGHLY SOCIAL

CARACOLE CLASSIC

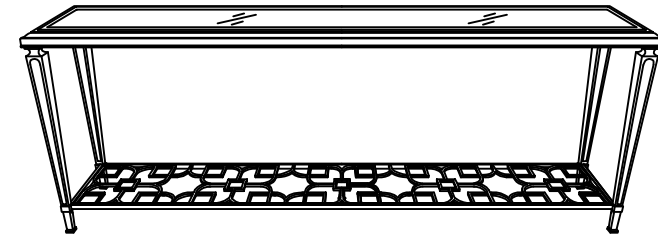
ASSEMBLY INSTRUCTIONS





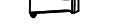

PLEASE UNPACK ALL PARTS AND CHECK QUANTITY AGAINST PARTS LIST BEFORE DISCARDING PACKING CARTON!

- 1) Secure the bottom metal shelf to the legs with the screws(A), and the wrench(E).
- 2) Turn the top upside down on a soft clean surface. Secure the leg leg to the back side of the top with the screws(B), with the spring washer(C), the flat washers(D), and the wrench(E).
- 3) Secure the central support leg to the back side of the shelf with the wrench (E) and the screw(F).
- 4) Put the plastic bumpers(G) onto the inset of the top frame.
- 5) To level the Table, adjust the levelers on the bottom of each foot.

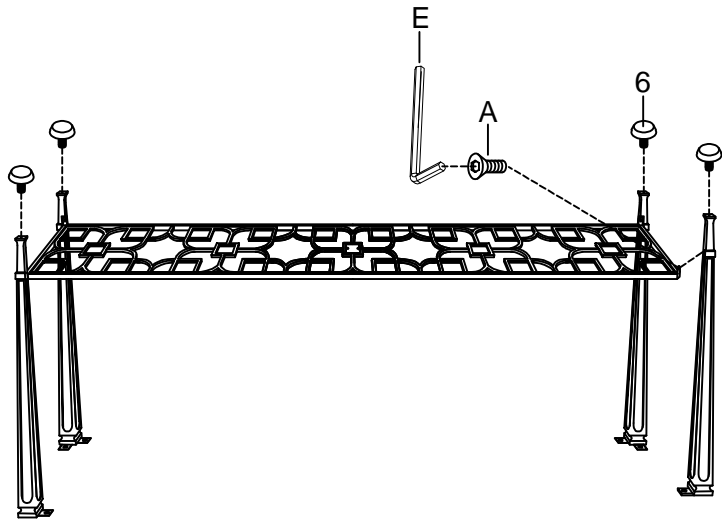
*** NOTE KEEP THIS SHEET ***

In the unlikely event that you would need a replacement part for your furniture, please contact your local authorized Schnadig International dealer. If you need replacement hardware quickly, it could be purchased from your local hardware store.

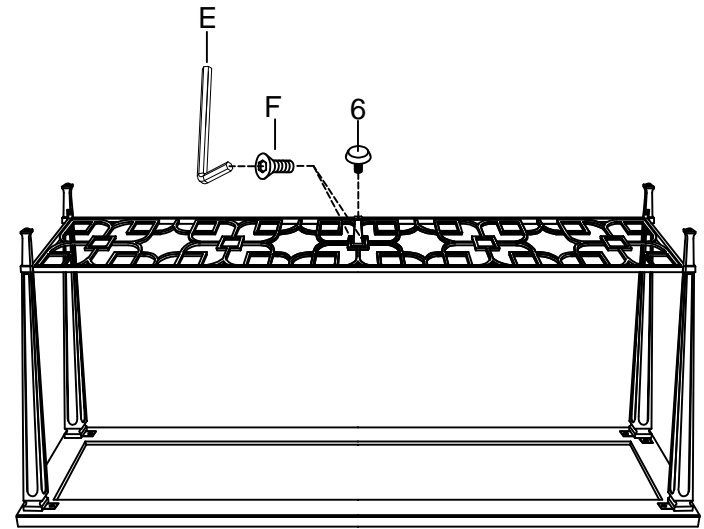


CLA-418-442				
HIGHLY SOCIAL				
Part List				
NO.	Hardware List	Part Number	QTY	
1		Top Frame	CLA-418-442-0307	1
2		Glass Top	CLA-418-442-029	1
3		Bottom Shelf	CLA-418-442-027	1
4		Long Leg	CLA-418-442-018	4
5		Central Support Leg	CLA-418-442-0118	1
6		Adjustable Floor Glide	CLA-418-442-075	5

RTA Hardware				
Hardware List				QTY
A		Screws	DIA 1/4"*5/8"	4
B		Screws	DIA 1/4"*1-1/8"	8
C		Spring Washer	DIA 1/4"	8
D		Flat Washer	DIA 1/4"*16mm	8
E		Allen Wrench	4mm	1
F		Screws	DIA 1/4"*1/4"	2
G		Glear Bumper		8



STEP 1



STEP 3

STEP 2

STEP 4

