

# CLA-418-281 LINE ME UP

## CARACOLE CLASSIC






### ASSEMBLY INSTRUCTIONS





**PLEASE UNPACK ALL PARTS AND CHECK QUANTITY AGAINST PARTS LIST BEFORE DISCARDING PACKING CARTON!**

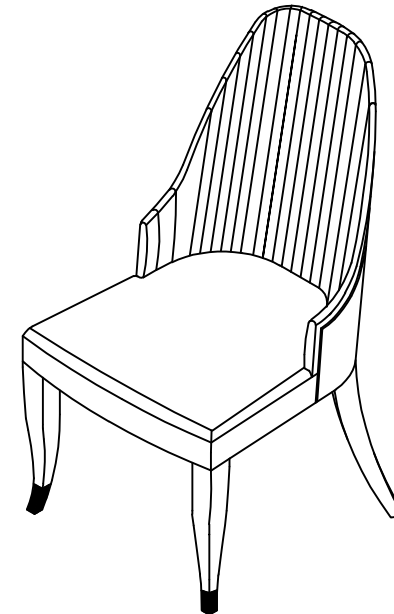
- 1) Assemble the chair seat & back(1) and the left back leg (2) together with the wrench(A), the flat washers(D), the spring washers(C) and the screws(B).
- 2) Assemble the chair seat & back(1) and the right back leg(3) together with the wrench(A), the flat washers(D), the spring washers(C) and the screws(B).
- 3) Assemble the chair seat & back(1) and the left front leg(4) together with the wrench(A), the flat washers(D), the spring washers(C) and the screws(B).
- 4) Assemble the chair seat & back(1) and the right front leg(5) together with the wrench(A), the flat washers(D), the spring washers(C) and the screws(B).
- 5) Tighten the assembly and put it upright.

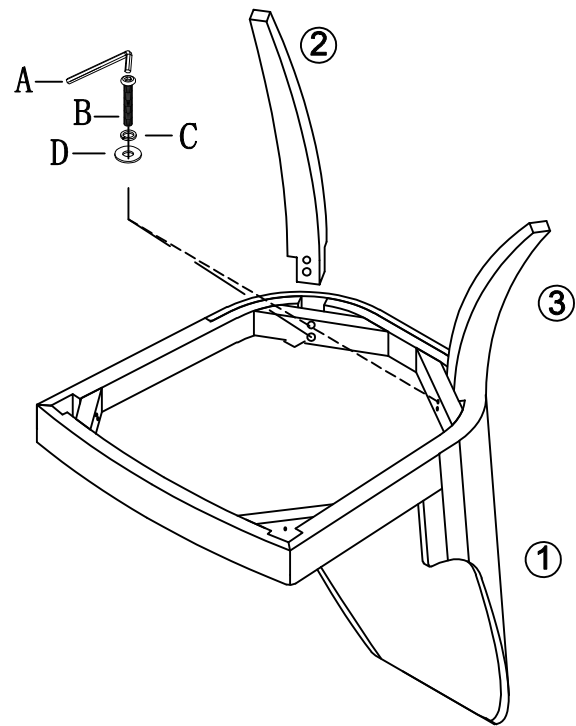
\*\*\* NOTE KEEP THIS SHEET \*\*\*

In the unlikely event that you would need a replacement part for your furniture, please contact your local authorized Schnadig International dealer. If you need replacement hardware quickly, it could be purchased from your local hardware store.

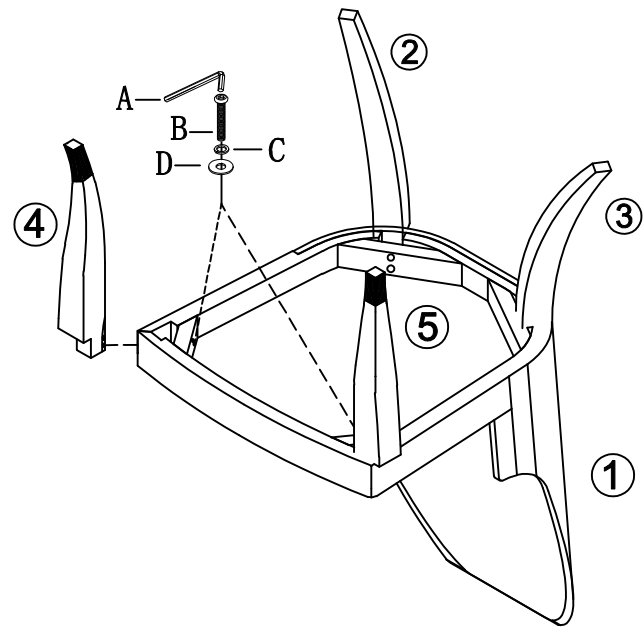
CLA-418-281				
LINE ME UP				
Part List				
NO.		Hardware List	Part Number	QTY
①		Chair Seat & Back Assembly	CLA-418-281-062	1
②		Left Back Leg	CLA-418-281-0201	1
③		Right Back Leg	CLA-418-281-0202	1
④		Left Front Leg	CLA-418-281-0191	1
⑤		Right Front Leg	CLA-418-281-0192	1

RTA Hardware				
Hardware List				QTY
A		Wrench	5MM	1
B		Screw	φ5/16"*1-3/4"	8
C		Spring Washer	φ5/16"*19	8
D		Flat Washer	φ5/16"	8





**STEP 1**



**STEP 2**