

CLA-022-403 BRIDGE THE GAP

CARACOLE CLASSIC

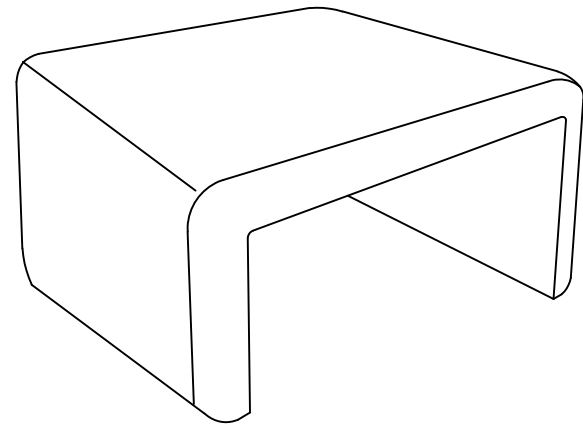
ASSEMBLY INSTRUCTIONS


PLEASE UNPACK ALL PARTS AND CHECK QUANTITY AGAINST PARTS LIST BEFORE DISCARDING PACKING CARTON!

1) This product is set-up, so there is no assembling steps.

*** NOTE KEEP THIS SHEET ***

In the unlikely event that you would need a replacement part for your furniture, please contact your local authorized Schnadig International dealer. If you need replacement hardware quickly, it could be purchased from your local hardware store.



CLA-022-403				
BRIDGE THE GAP				
Part List				
Hardware List		Part Number	QTY	
1		Adjustable Floor Glide	CLA-022-403-075	4