

CLA-022-103-123-H/F/R DREAM CHASER QUEEN/KING BED

CARACOLE CLASSIC

ASSEMBLY INSTRUCTIONS

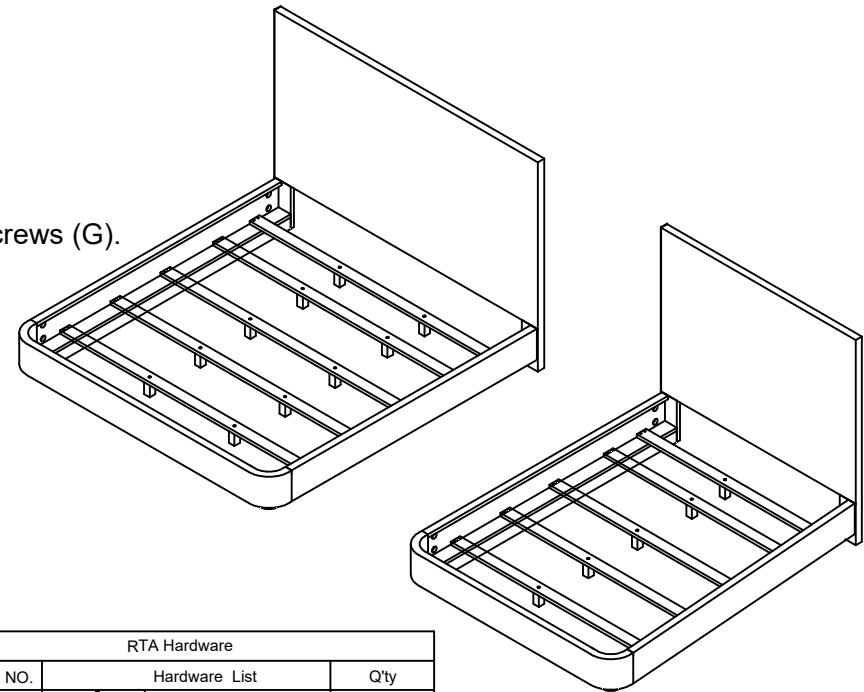
TWO(2)PEOPLE AND PHILIP'S SCREWDRIVER REQUIRED

UNPACK ALL PARTS AND CHECK AGAINST PARTS LIST ON THIS INSTRUCTION SHEET BEFORE DISCARDING PACKING AND CARTON!!

- 1) Connect the side rail and headboard/footboard by bolt (F).
- 2) Assemble the side rail and headboard/footboard using the curved washer (A), flat washer (B), lock washer (C), and nut (D) by wrench (E), as shown in Diagram A.
- 3) Assemble the support leg on the slat, as shown in Diagram B.
- 4) Mount the assembled support slats (done in step 3) onto the cleat of side rails with screws (G).
Use a Phillips Head Screwdriver to tighten screws, as shown in Diagram C.

*** NOTE KEEP THIS SHEET!!! ***

In the unlikely event that you would need a replacement part for your furniture, please contact your local authorized Schnadig International dealer. If you need replacement hardware quickly, it could be purchased from your local hardware store.



Part Description	CLA-022-103H/F/R		CLA-022-123H/F-103R	
	QN BED		KG BED	
	Part No.	QTY	Part No.	QTY
Headboard (1)	CLA-022-103-H	1	CLA-022-123-H	1
Footboard (2)	CLA-022-103-F	1	CLA-022-123-F	1
Side rail (3)	CLA-022-103-R	2	CLA-022-103-R	2
Slat (4)	CLA-022-103-F-3067	5	CLA-022-123-F-3067	5
Support leg(5)	CLA-022-103-F-30305	5	CLA-022-123-F-30305	10
RTA Hardware(6)	CLA-022-103-F-3001	1	CLA-022-123-F-3001	1
RTA Hardware(7)	CLA-022-103-R-3001	1	CLA-022-103-R-3001	1

RTA Hardware			
NO.		Hardware List	Q'ty
A		Curved Washer	8
B		Flat Washer	8
C		Lock Washer	8
D		Nut	8
E		Wrench	1
F		Bolt	8

RTA Hardware			
NO.		Hardware List	Q'ty
G		Screw(4.2x32)	20

