

# CLA-022-102-122H/F/R PINSTRIPE LIGHT QN/KG

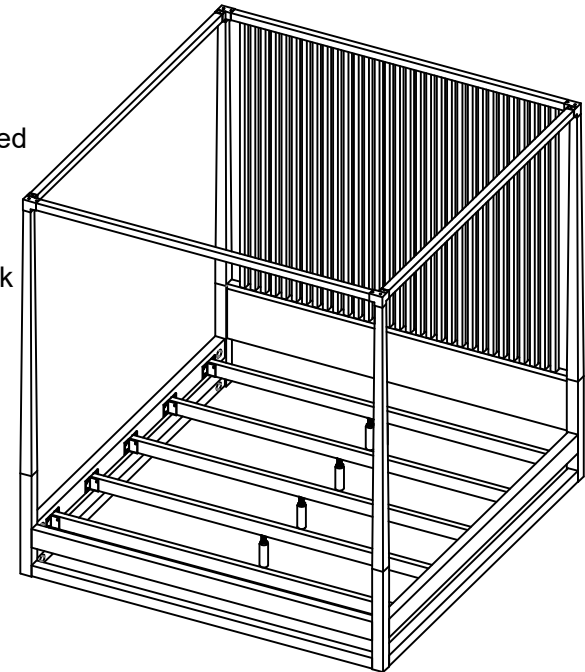
## CARACOLE CLASSIC

### ASSEMBLY INSTRUCTIONS

TWO (2) PEOPLE AND PHILIP'S SCREWDRIVER REQUIRED

UNPACK ALL PARTS AND CHECK AGAINST PARTS LIST ON THIS INSTRUCTION SHEET BEFORE DISCARDING PACKING AND CARTON!!

- 1) Connect the footboard post with Canopy 1 and bottom rail by bolt (F) and metal ferrule LSF & RSF . Assemble canopy 1 and bottom rail and posts using the curved washer (A), flat washer (B), lock washer (C), nut (D) and bolt (G) tighten with wrench provided (E) and (H) as shown in Diagram A & B.
- 2) Connect the headboard post with Canopy 1 & back slats & bottom rail assembled by bolt (F) and metal ferrule LSF & RSF . Assemble headboard posts with Canopy 1 & back slats & bottom rail assembled using the curved washer (A), flat washer (B), lock washer (C), nut (D) and bolt (G) tighten with wrench provided (E) and (H) as shown in Diagram A & B.
- 3) Connect the side rails and footboard / headboard by bolt (F).
- 4) Assemble side rails and footboard / headboard using the curved washer (A), flat washer (B), lock washer (C), and nut (D) tighten with wrench provided (E), as shown in Diagram A.
- 5) Assemble the canopy 2 with headboard & footboard by bolt (G) tighten with wrench provided (H).
- 6) Attach the support legs to slats ,as shown in Diagram D.
- 7) Attach the assembled bed slats to the side rails by screw (I), tighten with Philips screw driver as shown in Diagram E.



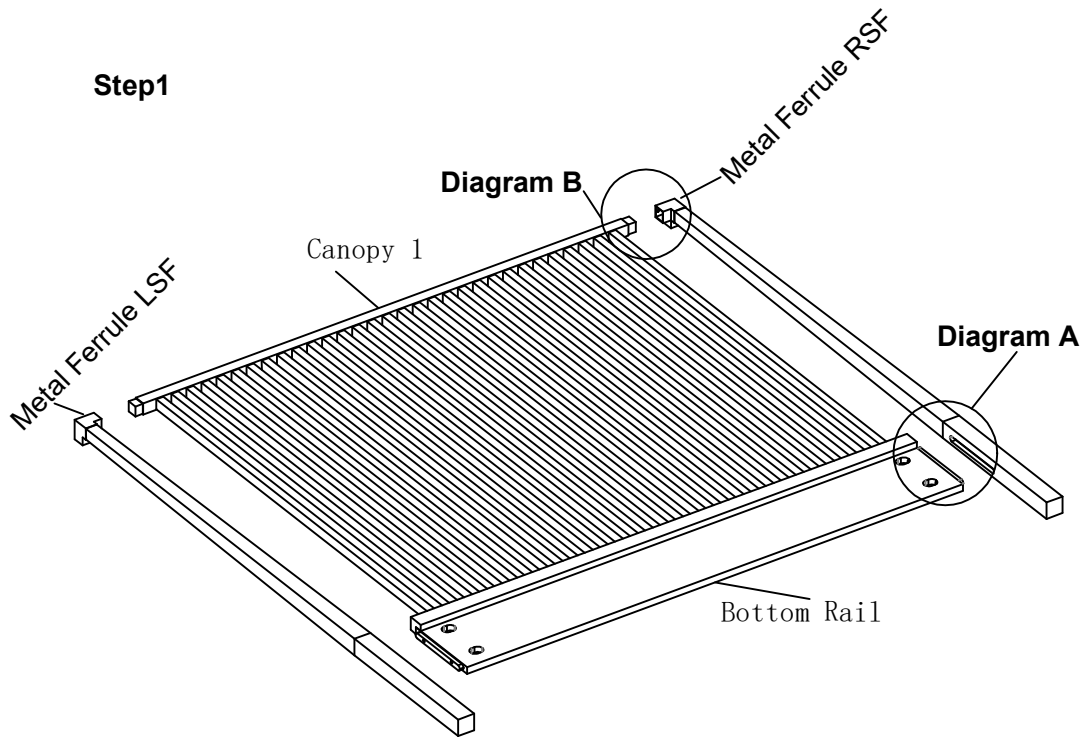
\*\*\* NOTE KEEP THIS SHEET \*\*\*

In the unlikely event that you would need a replacement part for your furniture, please contact your local authorized Caracole International dealer. If you need replacement hardware quickly, it could be purchased from your local hardware store.

Part Description	CLA-022-102H/F/R		CLA-022-122H/F/R	
	Part No.	QTY	Part No.	QTY
Headboard (1)	CLA-022-102-H	1	CLA-022-122-H	1
Footboard (2)	CLA-022-102-F	1	CLA-022-122-F	1
Side rail (3)	CLA-022-102-R	2	CLA-022-102-R	2
Slat (4)	CLA-022-102-F-3067	5	CLA-022-122-F-3067	5
Support leg(5)	adsupleg-001	4	adsupleg-001	4
RTA Hardware(6)	CLA-022-102-R-3001	1	CLA-022-122-R-3001	1
RTA Hardware(7)	CLA-022-102-F-3001	1	CLA-022-122-F-3001	1
RTA Hardware(8)	CLA-022-102-H-3001	1	CLA-022-122-H-3001	1
Canopy (1)	CLA-022-102-F-30352	1	CLA-022-122-F-30352	1
Canopy (2)	CLA-022-102-R-30353	2	CLA-022-122-R-30353	2
Metal Ferrule LSF & RSF (3)	CLA-020-121-3006	2 sets	CLA-022-122-3006	2 sets

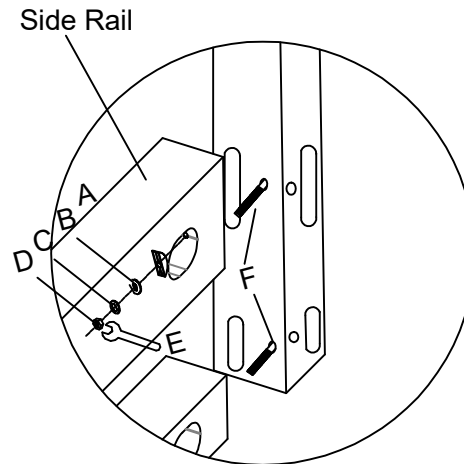
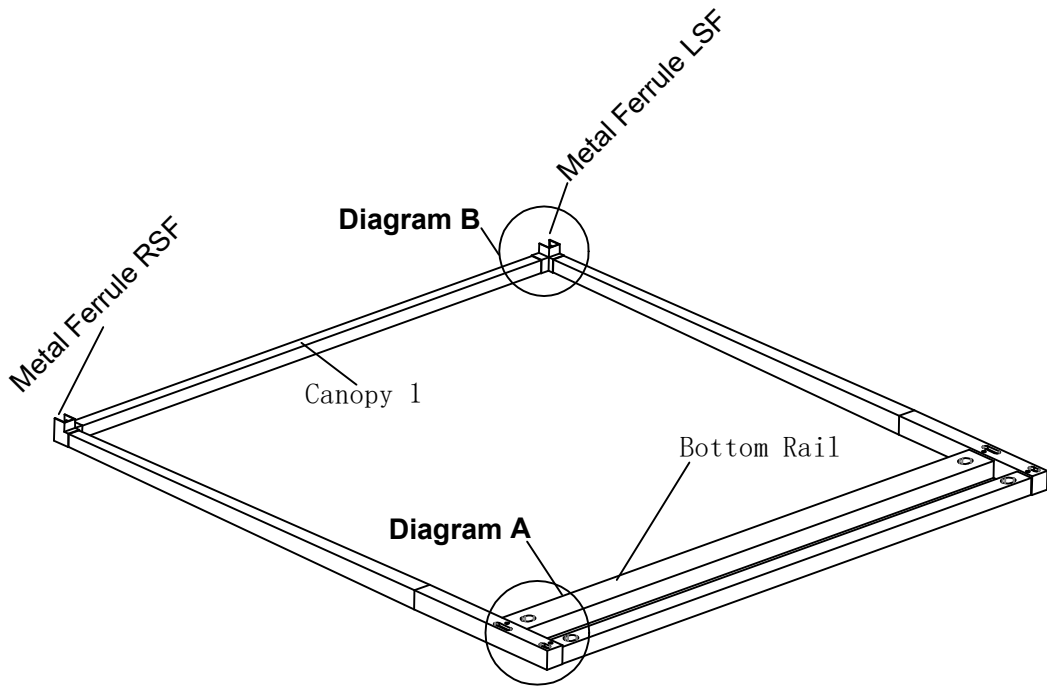
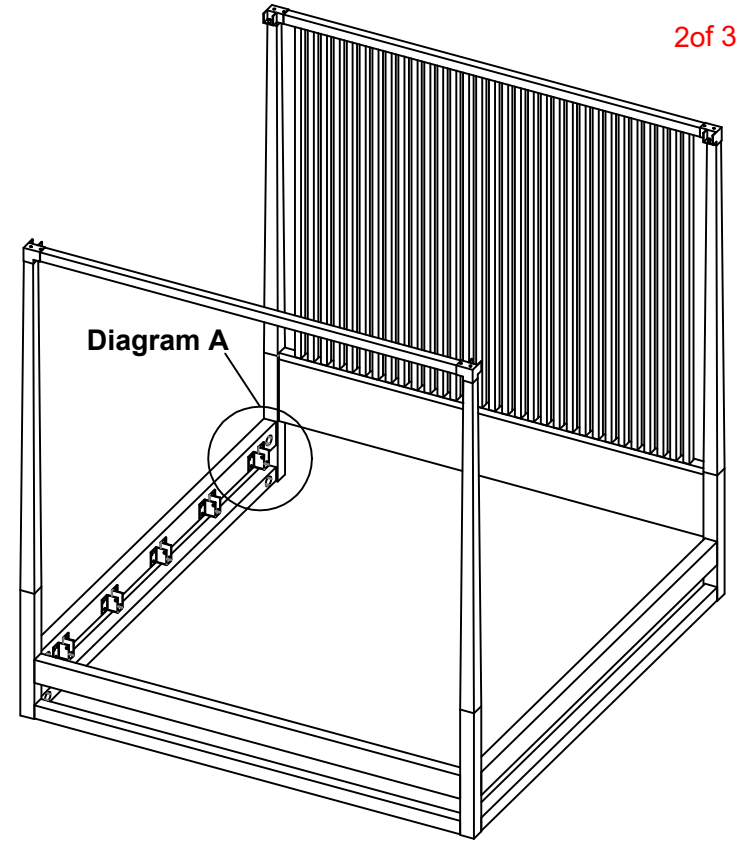
RTA Hardware (9) for Support leg			RTA Hardware (8) for headboard and canopy			RTA Hardware (7) for footboard and canopy			RTA Hardware (6) for side rails		
NO.	Hardware List	Q'ty	NO.	Hardware List	Q'ty	NO.	Hardware List	Q'ty	NO.	Hardware List	Q'ty
A	Curved Washer	8	A	Curved Washer	4	A	Curved Washer	4	A	Curved Washer	8
B	Flat Washer	8	B	Flat Washer	4	B	Flat Washer	4	B	Flat Washer	8
C	Lock Washer	8	C	Lock Washer	4	C	Lock Washer	4	C	Lock Washer	8
D	Wrench	1	D	Nut	4	D	Nut	4	D	Nut	8
E	Wrench(5/16)	1	E	Wrench(5/16)	1	E	Wrench(5/16)	1	E	Wrench(5/16)	1
F	Bolt	4	F	Bolt	4	F	Bolt	4	F	Bolt	8
G	Bolt	2	G	Bolt	2	G	Bolt	2	G	Bolt	4
H	Wrench	1	H	Wrench	1	H	Wrench	1	H	Wrench	1
									I	Screw(3.5x15)	20

**Step1**

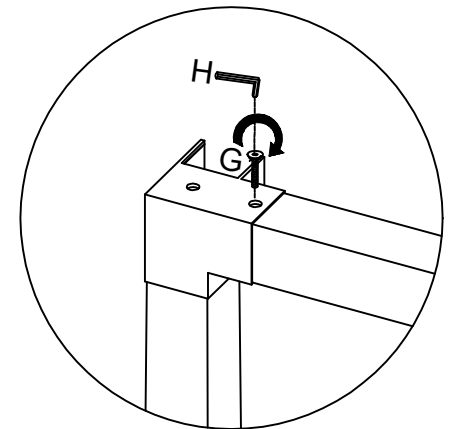


**Step2**

2 of 3

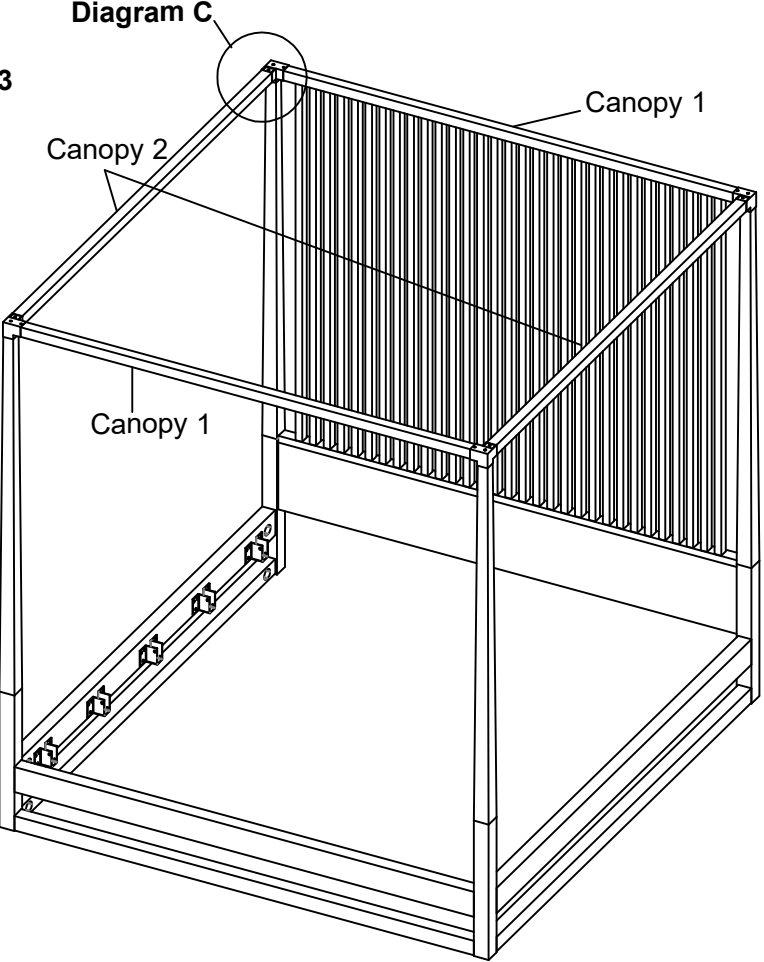


**Diagram A**



**DiagramB**

Step3



Step4

