

CLA-022-101-121H/F/R SOFT EMBRACE QUEEN/KING BED

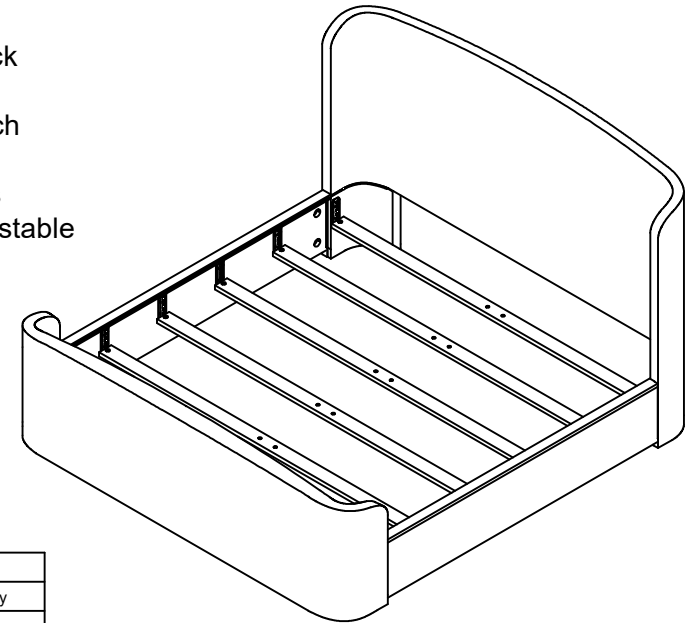
CARACOLE CLASSIC

ASSEMBLY INSTRUCTIONS

TWO (2) PEOPLE AND PHILIP'S SCREWDRIVER REQUIRED

PLEASE UNPACK ALL PARTS AND CHECK AGAINST PARTS LIST ON THIS INSTRUCTION SHEET BEFORE DISCARDING PACKING AND CARTON!!

- 1) Connect the side rails and headboard / footboard by bolt (F).
- 2) Assemble the side rails and headboard / footboard using the curved washer (A), flat washer (B), lock washer (C), and nut (D) tighten with wrench provided (E), as shown in Diagram A.
- 3) Attach the support legs to slats using flat washer (K), lock washer (L) and bolt (J), tighten with wrench provided (M). Adjust the support leg if necessary as shown in Diagram B.
- 4) Attach the adjustable slats system (H) to the side rails and locked to a needed position, using Philips screw driver to tighten the screw (G) if necessary. Attach the assembled slats & support leg to the adjustable slats system using bolt (N), tighten by wrench provided (R). Using Philips screw driver to tighten the screw (G) if necessary as shown in Diagram C.



*** NOTE KEEP THIS SHEET!!! ***

In the unlikely event that you would need a replacement part for your furniture, please contact your local authorized Caracole International dealer. If you need replacement hardware quickly, it could be purchased from your local hardware store.

Part Description	CLA-022-101H/F/R		CLA-022-121H/F-101R	
	Part No.	QTY	Part No.	QTY
Headboard (1)	CLA-022-101-H	1	CLA-022-121-H	1
Footboard (2)	CLA-022-101-F	1	CLA-022-121-F	1
Side rail (3)	CLA-022-101-R	2	CLA-022-101-R	2
Slat (4)	CLA-022-101-F-3067	4	CLA-022-121-F-3067	4
Slat of Headboard(5)	CLA-022-101-H-3067	1	CLA-022-121-H-3067	1
Slat of Footboard(6)	CLA-022-101-H-3067	1	CLA-022-121-H-3067	1
Support leg(7)	ADSUPLEG-001	6	ADSUPLEG-001	6
RTA Hardware(8)	CLA-022-101-F-3001	2	CLA-022-101-F-3001	2
RTA Hardware(9)	CLA-022-101-R-3001	1	CLA-022-101-R-3001	1

RTA Hardware (9) For Side rail			
NO.		Hardware List	Q'ty
A		Curved Washer	8
B		Flat Washer	8
C		Lock Washer	8
D		Nut	8
E		Wrench	1
F		Bolt	8
G		Screw(4.2x20)	24
H		Adjustable slats system	12

RTA Hardware (8) For Support leg			
NO.		Hardware List	Q'ty
J		Bolt	12
K		Flat Washer	12
L		Lock Washer	12
M		Wrench	1
N		Bolt	12
R		Wrench	1
G		Screw(4.2x20)	24

Diagram A

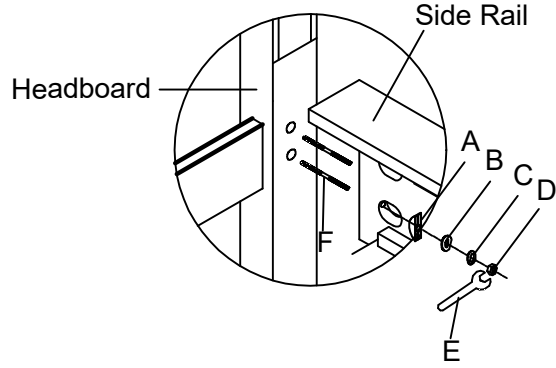


Diagram B

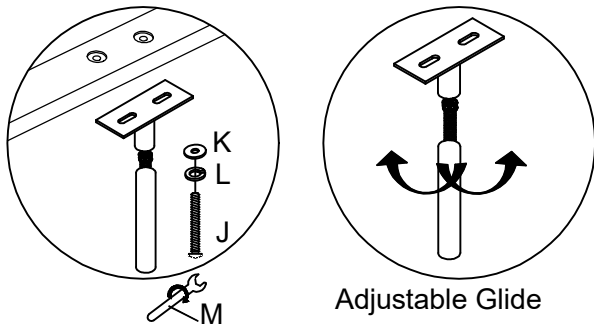


Diagram C

