

CLA-021-471 BETTER TOGETHER

CARACOLE CLASSIC

1 of 2

ASSEMBLY INSTRUCTIONS TWO(2)PEOPLE REQUIRED

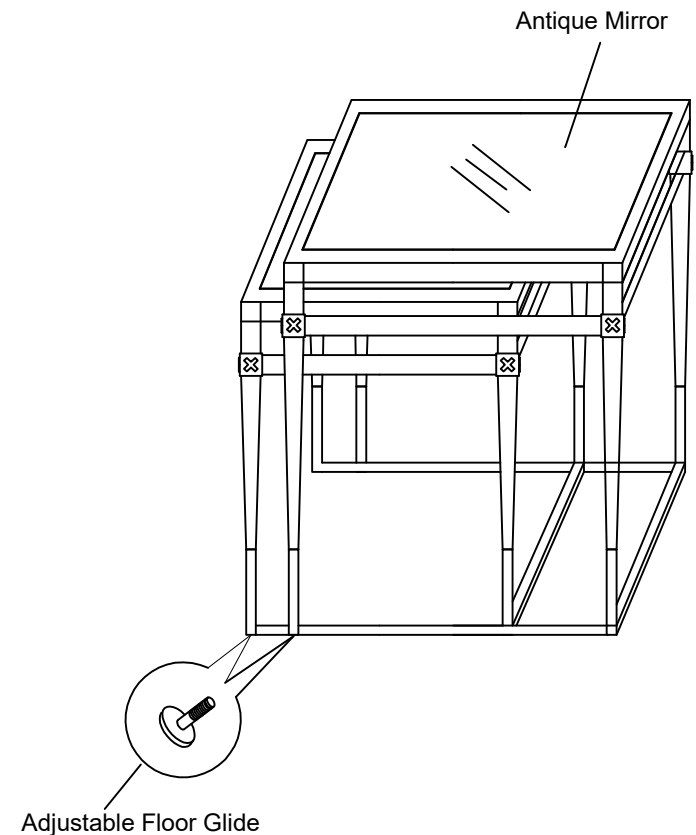
PLEASE UNPACK ALL PARTS AND CHECK AGAINST PARTS LIST ON THIS INSTRUCTION SHEET BEFORE DISCARDING PACKING AND CARTON!!

1) For this is a set-up construction, So no extra assembly needed;

*** NOTE KEEP THIS SHEET!!! ***

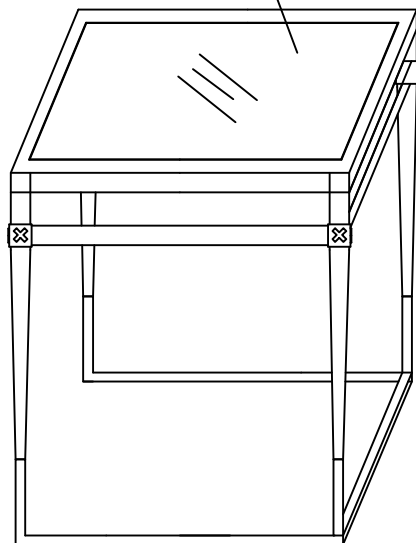
In the unlikely event that you would need a replacement part for your furniture, please contact your local authorized Caracole International dealer. If you need replacement hardware quickly, it could be purchased from your local hardware store.

CLA-021-471		
BETTER TOGETHER		
Part Description	Part No.	QTY
Adjustable Floor Glide	CLA-021-011-3075	8



Small Table

Antique Mirror



Big Table

Antique Mirror

