

# CLA-021-412 MATCHED UP CARACOLE CLASSIC

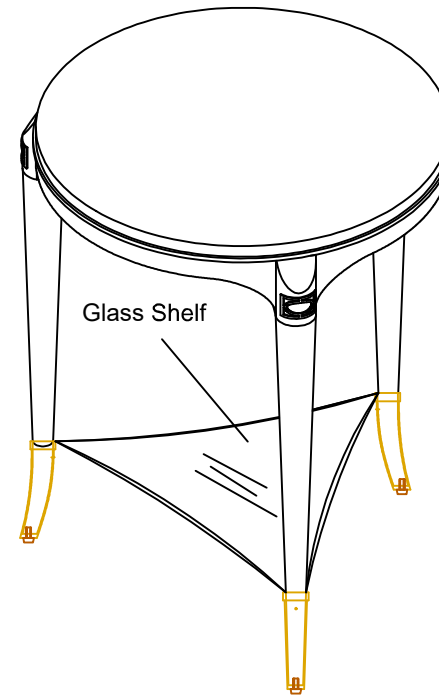
## ASSEMBLY INSTRUCTIONS

PLEASE UNPACK ALL PARTS AND CHECK AGAINST PARTS LIST ON THIS INSTRUCTION SHEET BEFORE DISCARDING PACKING AND CARTON!!


1) Turn the table to the upright position. Take out the Glass Pad ( A ) from hardware bag then attach the Glass Shelf onto the frame.

\*\*\* NOTE KEEP THIS SHEET!!! \*\*\*

In the unlikely event that you would need a replacement part for your furniture, please contact your local authorized Caracole International dealer. If you need replacement hardware quickly, it could be purchased from your local hardware store.



CLA-021-412 MATCHED UP		
Part Description	Part No.	QTY
Glass Shelf	CLA-021-412-5028	1
<b>Metal Base</b>	CLA-021-412-50153	1
<b>Adjustable Floor Glide</b>	CLA-021-066-3075	3
<b>Glass Pad</b>	CLA-021-412-5010	9

NO	Hardware List		Q'ty
A		Glass Pad	9

