

# CLA-021-211 FOILED AGAIN

## CARACOLE CLASSIC

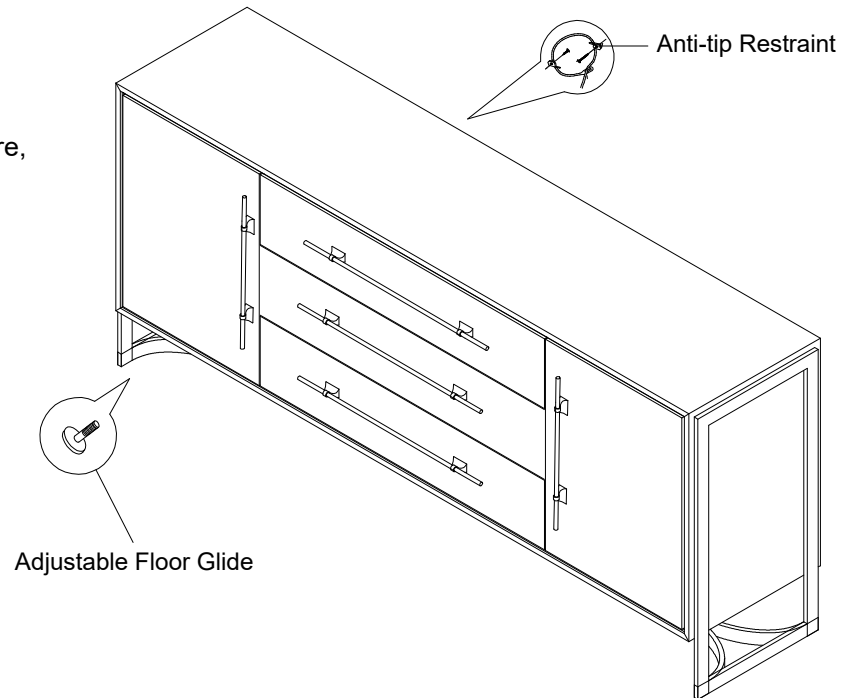
### ASSEMBLY INSTRUCTIONS

PLEASE UNPACK ALL PARTS AND CHECK AGAINST PARTS LIST ON THIS INSTRUCTION SHEET BEFORE DISCARDING PACKING AND CARTON!!

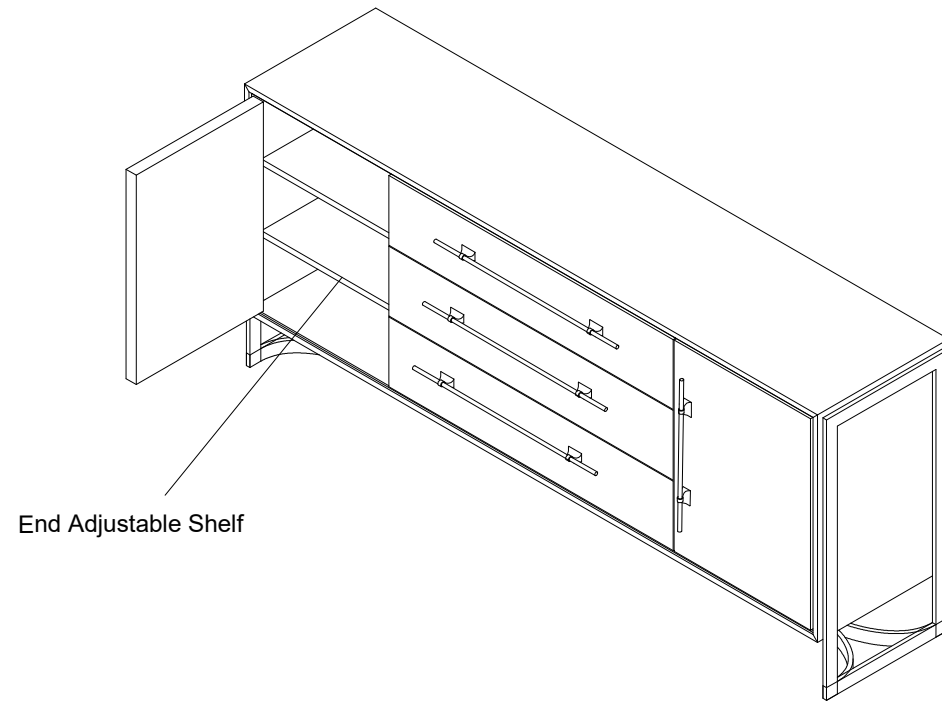
This is a set-up case and no assembly is required except for anti-tip restraint strap. (follow instruction for anti-tip restraint assembly )

\*\*\* NOTE KEEP THIS SHEET!!! \*\*\*

In the unlikely event that you would need a replacement part for your furniture, please contact your local authorized Caracole International dealer. If you need replacement hardware quickly, it could be purchased from your local hardware store.



CLA-021-211 FOILED AGAIN		
Part Description	Part No.	QTY
Anti-tip Restraint	CLA-021-066-30157	1
Drawer handle	CLA-021-211-40309	3
<b>Door handle</b>	<b>CLA-021-211-40241</b>	2
Soft-closing Guide	CLA-021-013-30424	3
<b>Metal Base</b>	CLA-021-211-40153	2
<b>End Adjustable Shelf</b>	CLA-021-211-4024	4
Adjustable Shelf Pin	<b>CLA-021-532-2087</b>	16
<b>Adjustable Floor Glide</b>	CLA-021-066-3075	8



End Adjustable Shelf