

CLA-021-202 HERE TO ACCOMMODATE

CARACOLE CLASSIC

ASSEMBLY INSTRUCTIONS

TWO (2) PEOPLE AND PHILIP WRENCH REQUIRED

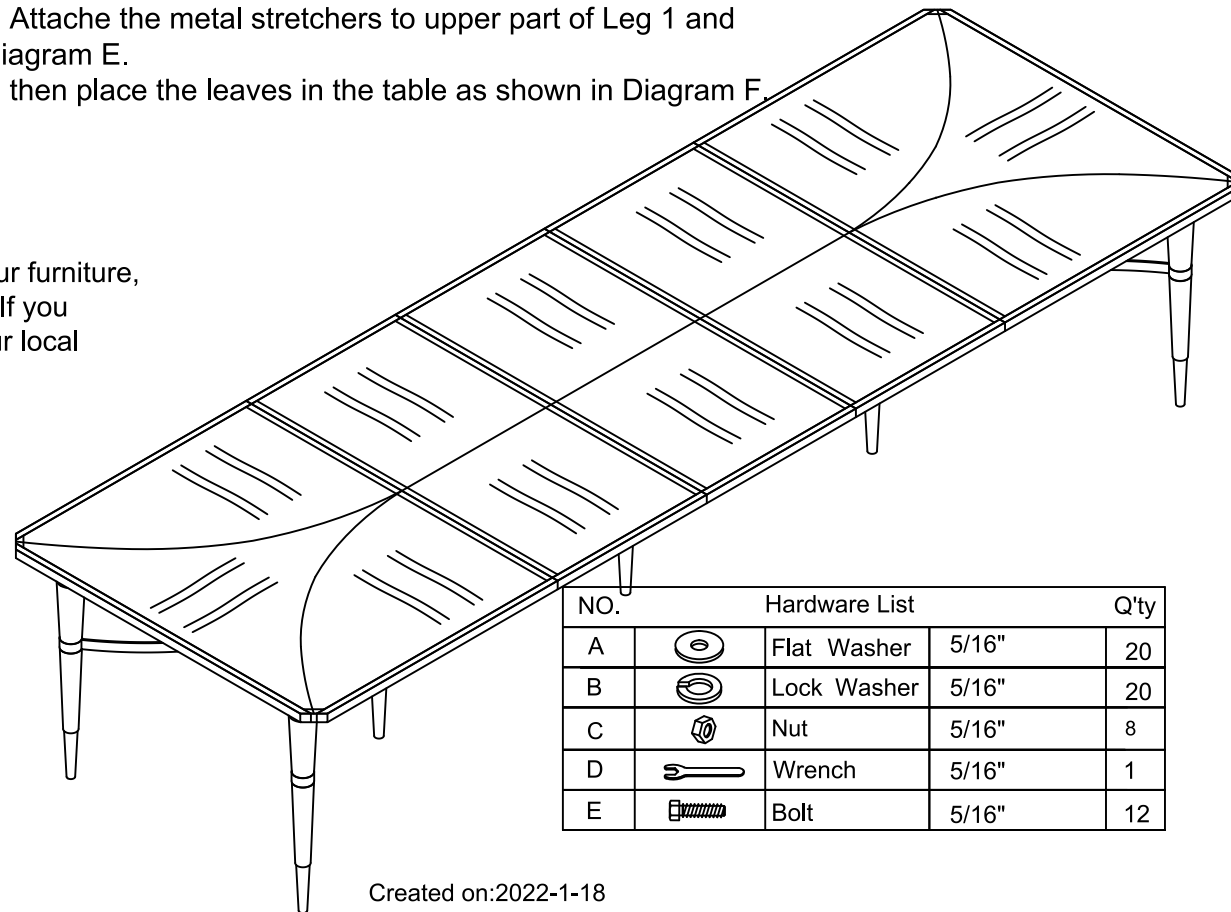
UNPACK ALL PARTS AND CHECK AGAINST PARTS LIST ON THIS INSTRUCTION SHEET BEFORE DISCARDING PACKING AND CARTONING!!

- 1) Face down the table top on a soft , clean surface.
- 2) Attach Leg 1 to the table using flat washer (A), lock washer (B) and nut (C). Tighten with wrench provided (D) as shown in Diagram A.
- 3) Attach Leg 2 to the table using lock washer (B), flat washer (A), bolt (E), tighten with wrench provided (D) as shown in Diagram B.
- 3) Attach Leg 3 to the center leaf using lock washer (B), flat washer (A), bolt (E), tighten with wrench provided (D) as shown in Diagram C.
- 4) Loose the lower part of Leg 1 and Leg 2 as shown in Diagram D. Attache the metal stretchers to upper part of Leg 1 and Leg 2, then tighten the lower part of Leg 1 and Leg 2 as shown in Diagram E.
- 5) Using two people carefully place the table to the upright position then place the leaves in the table as shown in Diagram F.

Please noted: Leaf need to be installed one by one total of 3 leaves.

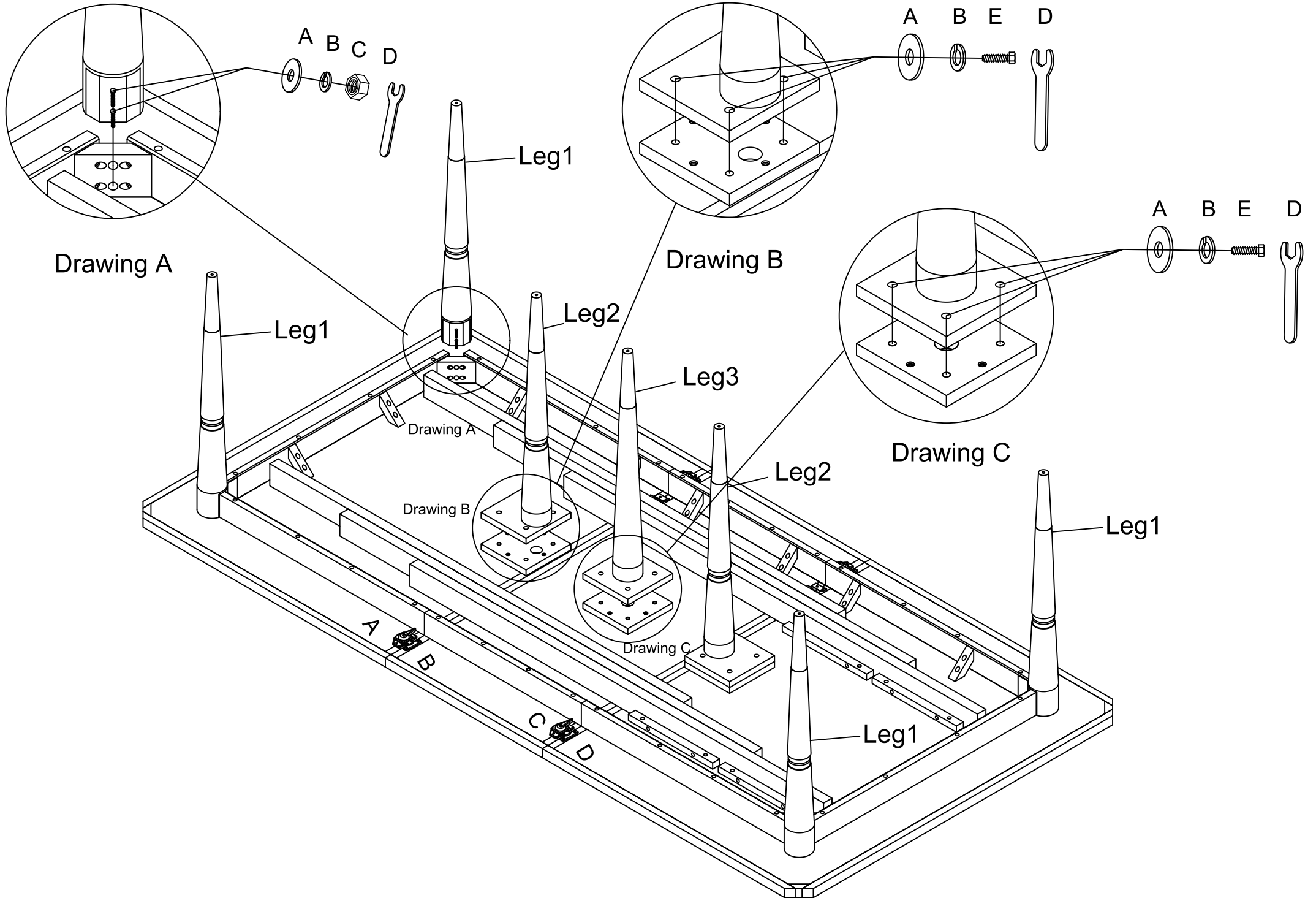
*** NOTE KEEP THIS SHEET!!! ***

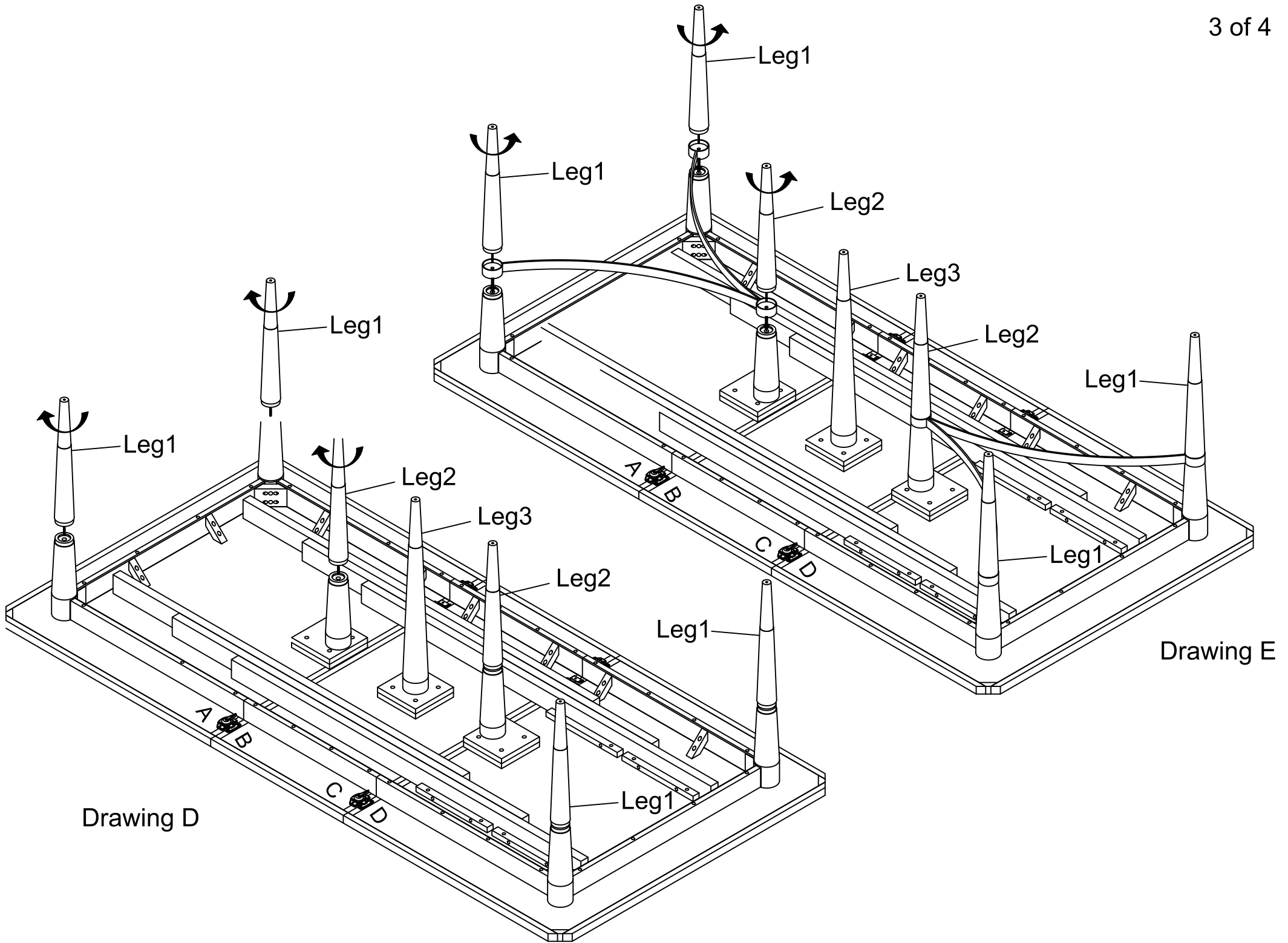
In the unlikely event that you would need a replacement part for your furniture, please contact your local authorized Caracole International dealer. If you need replacement hardware quickly, it could be purchased from your local hardware store.



CLA-021-202		
HERE TO ACCOMMODATE		
Part Description	Part No.	QTY
Top / Apron Assembly (1)	CLA-021-202-40123	1
Dining Table Leaf (2)	CLA-021-202-4060	3
Dining Table Lock	CLA-021-202-40150	8sets
Metal Stretcher	CLA-021-202-40166	2
Leg1	CLA-021-202-4018-1	4
Leg2	CLA-021-202-4018-2	2
Leg3	CLA-021-202-4018-3	1
RTA Hardware	CLA-021-202-4001	1
Adjustable Floor Glides	CLA-021-202-4075	7

NO.	Hardware List			Q'ty
A		Flat Washer	5/16"	20
B		Lock Washer	5/16"	20
C		Nut	5/16"	8
D		Wrench	5/16"	1
E		Bolt	5/16"	12





Drawing D

Drawing E

