

# CLA-020-405 UP AND OVER

## CARACOLE CLASSIC

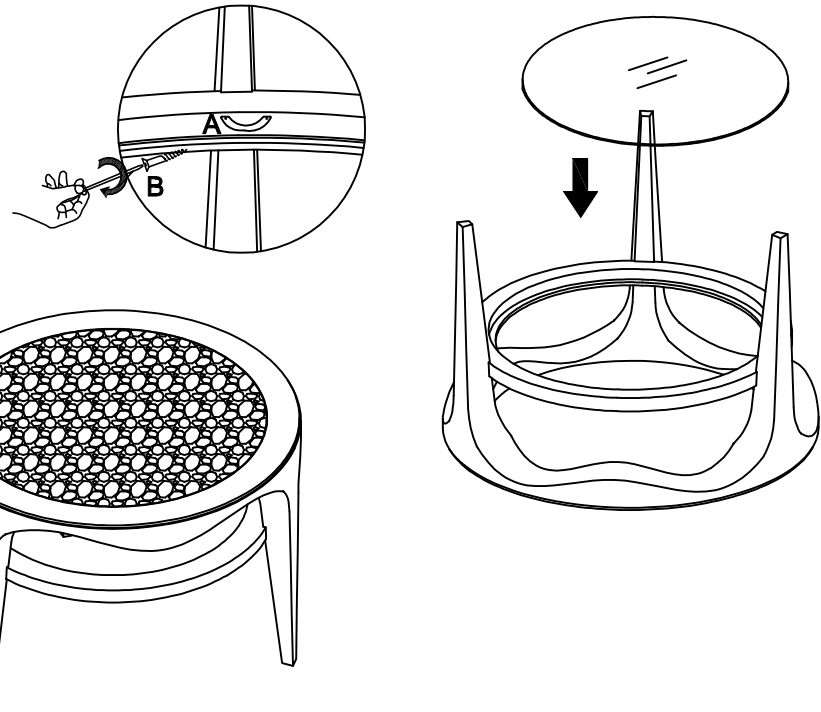
**ASSEMBLY INSTRUCTIONS**  
**TWO(2)PEOPLE REQUIRED**

PLEASE UNPACK ALL PARTS AND CHECK AGAINST PARTS LIST ON THIS INSTRUCTION SHEET BEFORE DISCARDING PACKING AND CARTON!!



1. Turn the table top face down on a soft, clean surface.
2. Attach the glass shelf to shelf frame using screw (A), plastic clip (B), tighten by Philips screw driver as shown in Drawing A.
3. Turn the table to upright position.

\*\*\* NOTE KEEP THIS SHEET!!! \*\*\*

In the unlikely event that you would need a replacement part for your furniture, please contact your local authorized Caracole International dealer. If you need replacement hardware quickly, it could be purchased from your local hardware store.



CLA-020-405 UP AND OVER		
Part Description	Part No.	QTY
Glass Shelf	CLA-020-405-2028	1
Nail-in Floor Glide	CLA-020-533-5086	3
RTA Hardware	CLA-020-405-2001	1

RTA Hardware			
NO.	Hardware List	Q'ty	
A	 Screw(3.5x15)	3	
B	 Plastic Clip	6	