

CLA-020-403 I'LL TAKE THE CORNER TABLE

CARACOLE CLASSIC

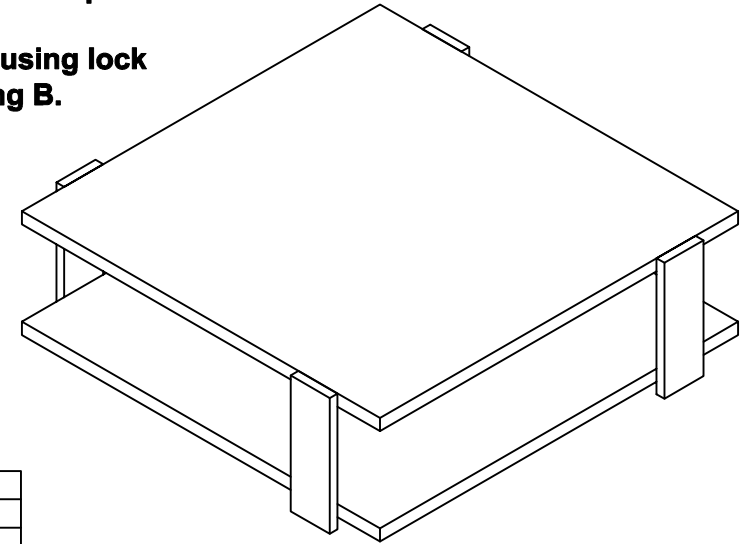
ASSEMBLY INSTRUCTIONS

PLEASE UNPACK ALL PARTS AND CHECK AGAINST PARTS LIST ON THIS INSTRUCTION SHEET BEFORE DISCARDING PACKING AND CARTON!!





- 1) Attach legs to Bottom by using lock washer (C), flat washer (B) and Bolt (A) tighten by Wrench provided (D), as shown in Drawing A.
- 2) Using TWO people carefully attach Top panel to legs and make sure it fits properly, then using lock washer (C), flat washer (B) and Bolt (A) tighten by Wrench provided (D), as shown in Drawing B.

*** NOTE KEEP THIS SHEET!!! ***

In the unlikely event that you would need a replacement part for your furniture, please contact your local authorized Caracole International dealer. If you need replacement hardware quickly, it could be purchased from your local hardware store.



CLA-020-403		
I'LL TAKE THE CORNER TABLE		
Part Description	Part No.	QTY
面板(1)	CLA-020-403	1
底板(2)	CLA-020-403	1
亚克力金属件(3)	CLA-020-403	4
RTA Hardware(4)	CLA-020-403-3001	1

RTA Hardware			
NO.	Hardware List		Qty
A		Bolt	24
B		Flat Washer	24
C		Lock Washer	24
D		Wrench	1

