

CLA-020-104-124 H / F / R - 144R SERENITY QUEEN / KING / CAL KING BED

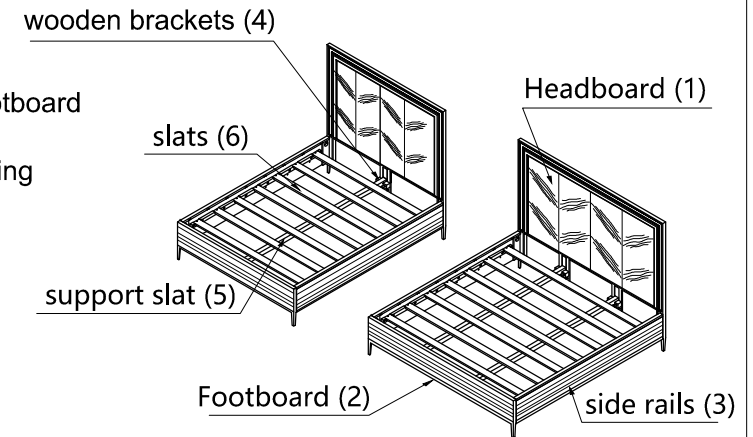
CARACOLE CLASSIC

ASSEMBLY INSTRUCTIONS

TWO (2) PEOPLE AND SCREWDRIVER REQUIRED

PLEASE UNPACK ALL PARTS AND CHECK AGAINST PARTS LIST ON THIS INSTRUCTION SHEET BEFORE DISCARDING PACKING AND CARTON!!

- (1) Fixing the wooden brackets (4) to Headboard(1) /Footboard (2) using bolts (E), lock washer (F), flat washer (G) and tighten with allen key (H) as shown in Diagram A1 and A2.
- (2) Fixing Side Rails (3) to Headboard (1) & Footboard (2) by bolts (D) using the curved washer (A), nut (B) tighten with wrench provided (C), as shown in Diagram B. (On inside face of Headboard and Side rails, notice A and B need to assembly correct position A-A, B-B)
- (3) We can take out or assemble the adjustable wooden brackets on HB,FB and the adjustable rail on side rail (3) for suitable for use purpose ,through the lower holes and the upper holes by Allen Key provided (H), as shown in Diagram C1,C2.
- (4) On inside face of both Headboard (1) and foodboard (2) are assembled wooden brackets for support slat (5). Set the support slat (5) on the wooden brackets, as shown in Diagram D.
- (5) On inside face of both side rails (3) are cavities designed to hold the slats (6). Set the slats (6) on both sides of the side rails (3) using short screws (I) tighten by the screwdriver (not included), as shown in Diagram E.
- (6) For the side rail of cal king bed only,need using screws (I) to conect the cap rail of side rail with the Footboard to increase stability tighten screws by the screwdriver (not included), as shown in Diagram F.
- (7) For the slats of cal king bed only , the slats should be rotate at tilt position to easy install, after that using screws (I) through holes on the pre-installed L shape metal to fixed to slats tighten by the screwdriver (not included) as shown in Diagram F.



*** NOTE KEEP THIS SHEET!!! ***

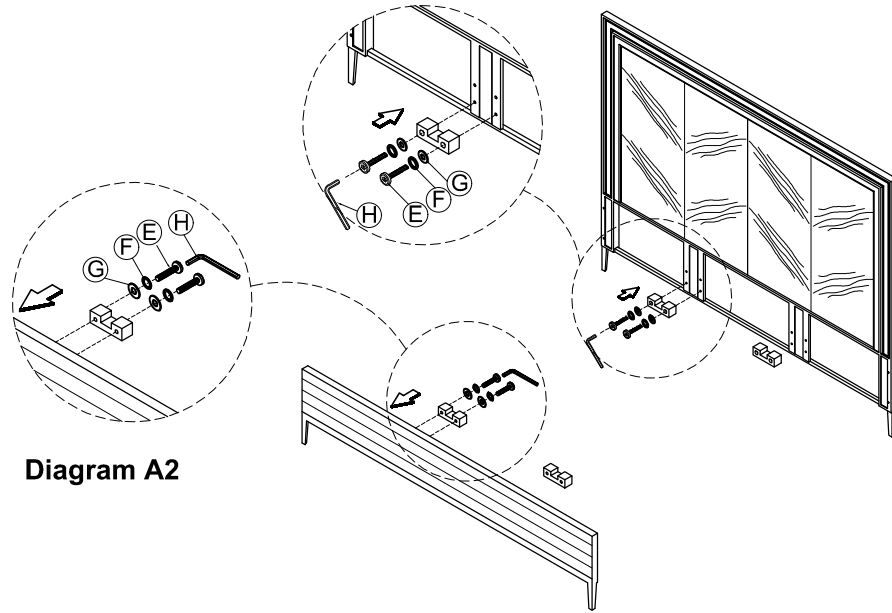
In the unlikely event that you would need a replacement part for your furniture, please contact your local authorized Schnadig International dealer. If you need replacement hardware quickly, it could be purchased from your local hardware store.

Part Description	CLA-020-104 SERENITY QN BED		CLA-020-124 SERENITY KG BED		CLA-020-144R SERENITY CK BED	
	Part No.	QTY	Part No.	QTY	Part No.	QTY
1 Headboard	CLA-020-104-H	1 (pc)	CLA-020-124-H	1 (pc)	CLA-020-124-H	1 (pc)
2 Footboard	CLA-020-104-F	1 (pc)	CLA-020-124-F	1 (pc)	CLA-020-124-F	1 (pc)
3 Side rail	CLA-020-104-R	2 (pcs)	CLA-020-124-R	2 (pcs)	CLA-020-144-R	2 (pcs)
4 Wooden brackets	CLA-020-104-3037	1 (pcs)	CLA-020-104-3037	2 (pcs)	CLA-020-104-3037	2 (pcs)
5 Support slats	CLA-020-104-3018	1 (pc)	CLA-020-124-3018	2 (pcs)	CLA-020-144-3018	2 (pcs)
6 Slats	CLA-020-104-3017	7 (pc)	CLA-020-124-3017	7 (pcs)	CLA-020-124-3017	7 (pcs)
7 RTA hardware	CLA-020-104-3001	1 (pc)	CLA-020-124-3001	1 (pc)	CLA-020-144R-3001	1 (pc)

RTA Hardware For Side rail and slats of				KB	QB	RTA Hardware For Side rail and slats of cal king bed				
NO.	Hardware List			Q'ty	Q'ty	NO.	Hardware List			Q'ty
A		Curved Washer(5/16")	8 (pcs)	8 (pcs)	A		Curved Washer(5/16")	8 (pcs)	8 (pcs)	
B		Nut (5/16"x12mm)	8 (pcs)	8 (pcs)	B		Nut (5/16"x12mm)	8 (pcs)	8 (pcs)	
C		Wrench (5/16") 84x12mm	1 (pc)	1 (pc)	C		Wrench (5/16") 84x12mm	1 (pc)	1 (pc)	
D		Bolt (5/16"x64mm)	8 (pcs)	8 (pcs)	D		Bolt (5/16"x64mm)	8 (pcs)	8 (pcs)	
E		Bolt (1/4"x44mm)	8 (pcs)	4 (pcs)	E		Bolt (1/4"x44mm)	8 (pcs)	8 (pcs)	
F		Lock Washer (1/4"x13mm)	8 (pcs)	4 (pcs)	F		Lock Washer (1/4"x13mm)	8 (pcs)	8 (pcs)	
G		Flat Washer (1/4"x19x1mm)	8 (pcs)	4 (pcs)	G		Flat Washer (1/4"x19x1mm)	8 (pcs)	8 (pcs)	
H		Allen Key (59x23x4mm)	1 (pc)	1 (pc)	H		Allen Key (59x23x4mm)	1 (pc)	1 (pc)	
I		Screws(#8x25mm)	14 (pcs)	14 (pcs)	I		Screws(#8x16mm)	14 (pcs)	14 (pcs)	

Step 1.

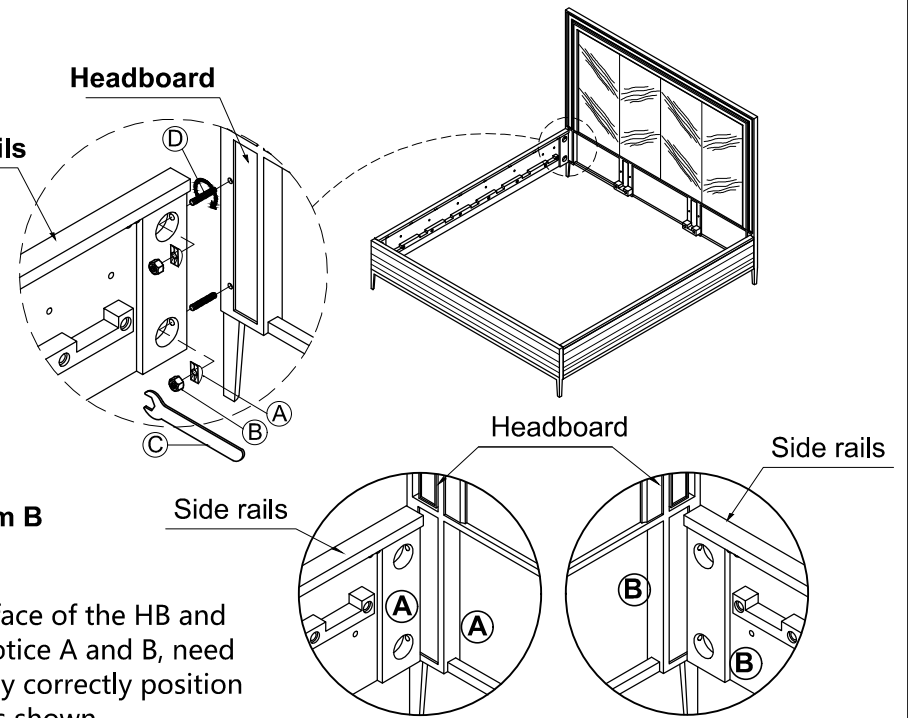
Diagram A1



Step 2.

Headboard

Side rails



On inside face of the HB and siderails notice A and B, need to assembly correctly position A-A, B-B as shown

Step 3.

HB/FB

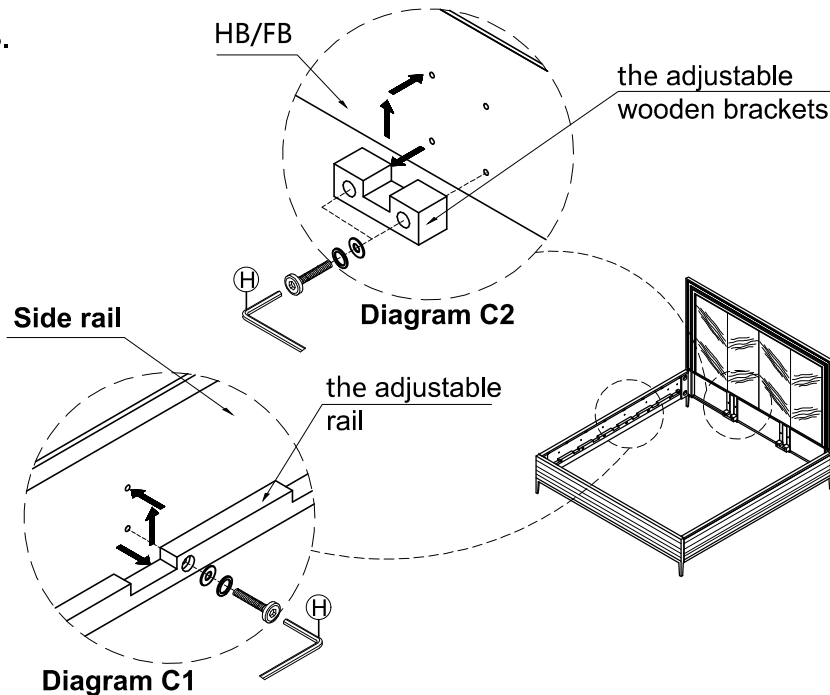
the adjustable wooden brackets

Diagram C2

Side rail

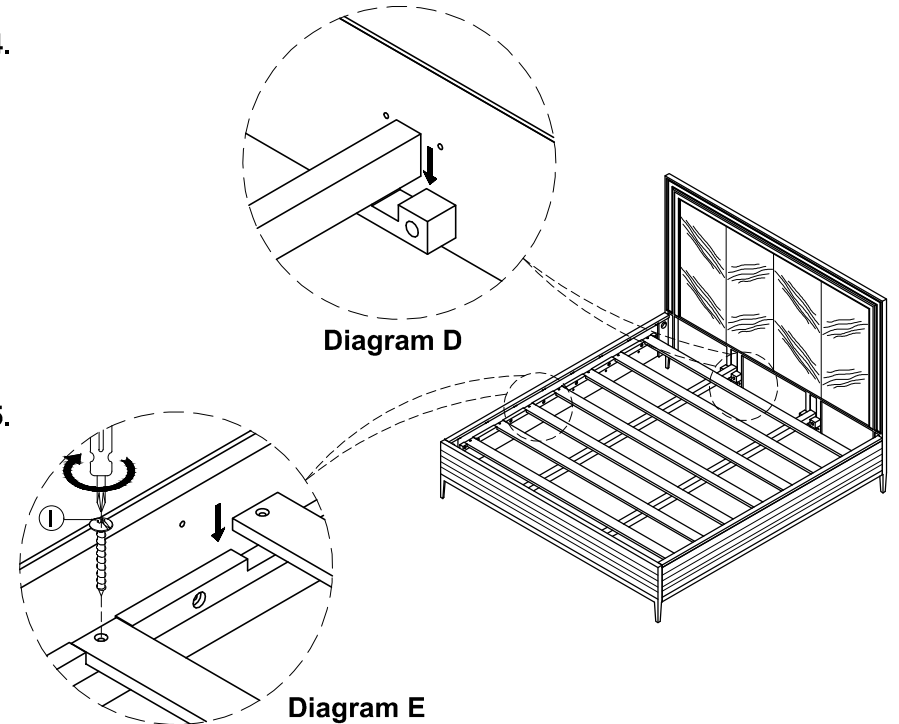
the adjustable rail

Diagram C1



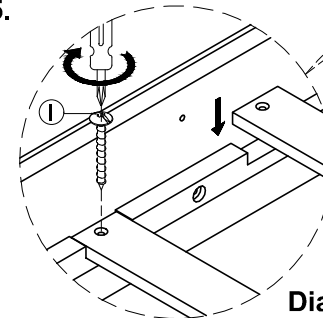
Step 4.

Diagram D

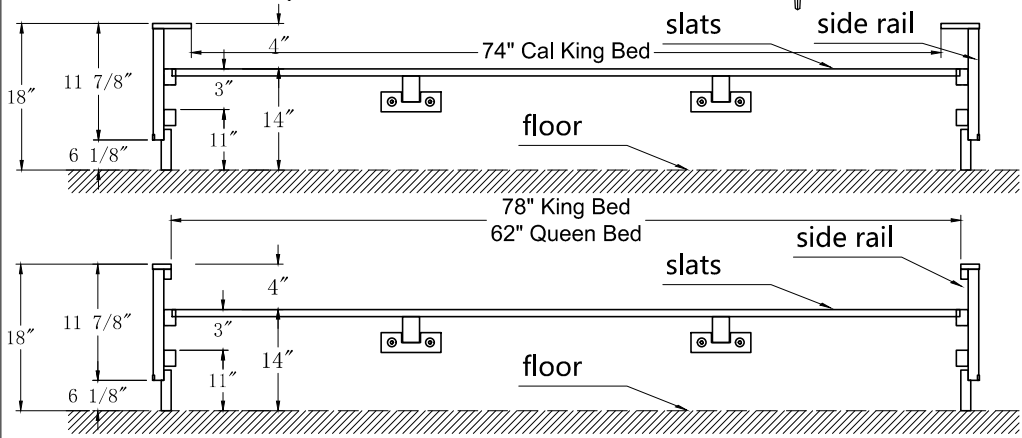
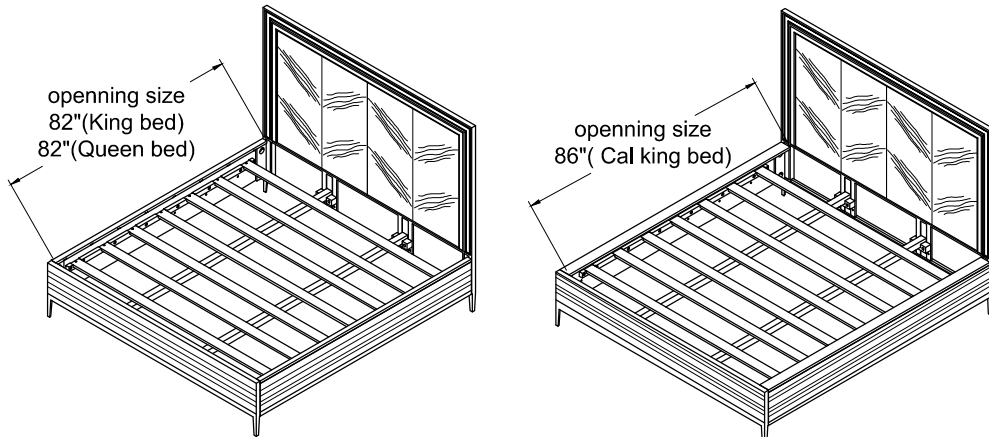
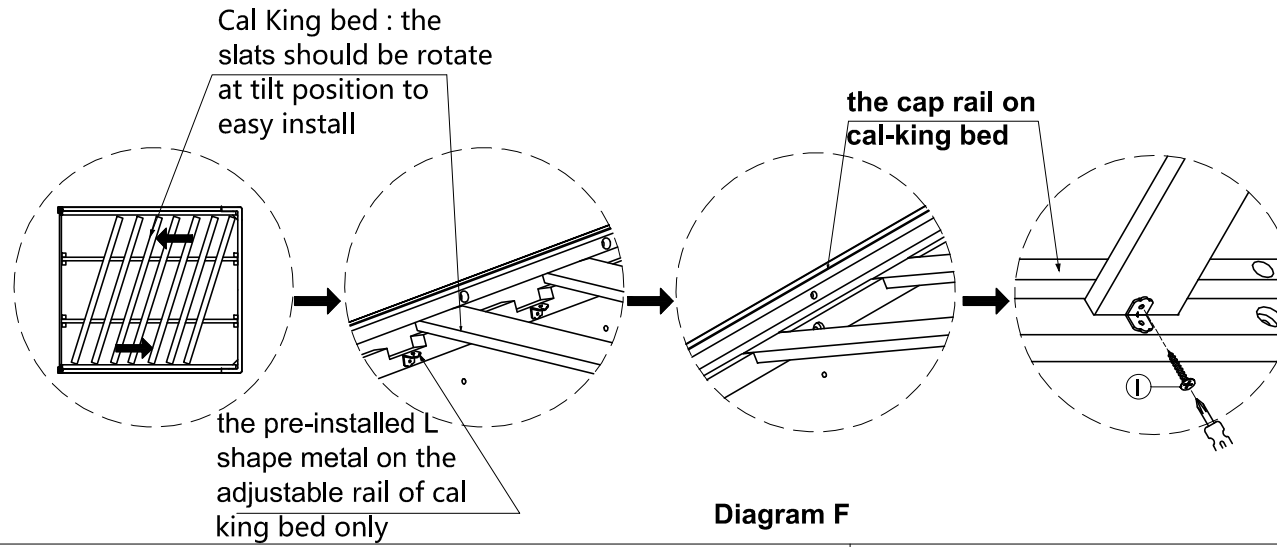


Step 5.

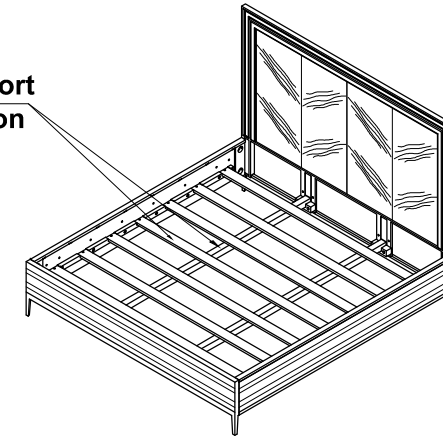
Diagram E



Step 6.



The Slats And Support Slat In Lower Position



The Slats And Support Slat In Upper Position

