

CLA-019-681 SPARKLING PERSONALITY CARACOLE CLASSIC

ASSEMBLY INSTRUCTIONS
TWO (2) PEOPLE REQUIRED




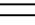
PLEASE UNPACK ALL PARTS AND CHECK AGAINST PARTS LIST ON THIS INSTRUCTION SHEET BEFORE DISCARDING PACKING AND CARTON!!

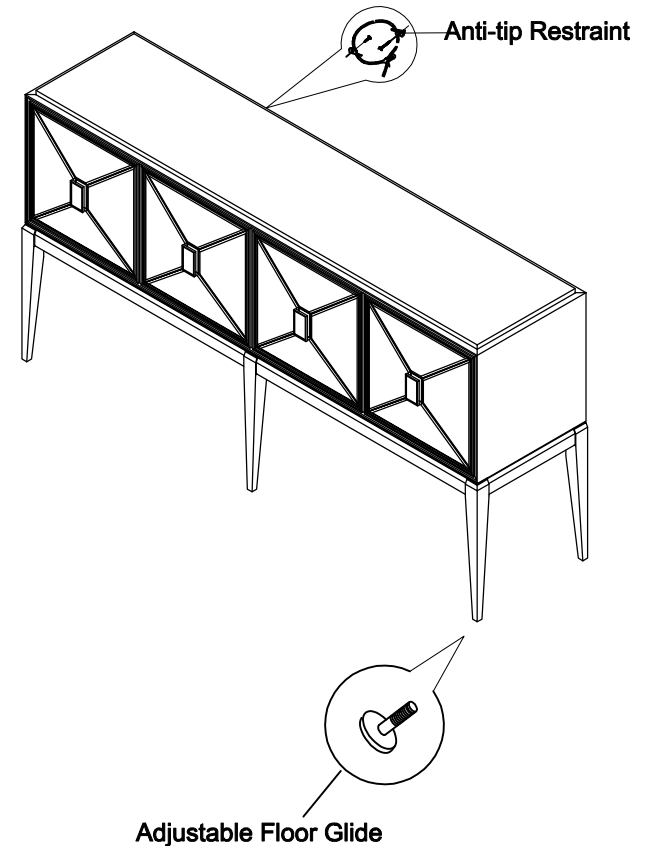
1. Face down the case on a soft, cleaning surface.
2. Attach legs to case using flat washer (A), lock washer (B), bolt (C), tighten with wrench provided (D) as shown in diagram A.
3. Tighten the entire bolt then return the case to upright position.

*** NOTE KEEP THIS SHEET!!! ***

In the unlikely event that you would need a replacement part for your furniture, please contact your local authorized Schnadig International dealer. If you need replacement hardware quickly, it could be purchased from your local hardware store.

CLA-019-681		
SPARKLING PERSONALITY		
Part Description	Part No.	QTY
Side Leg	CLA-019-681-40348	4
Middle Leg	CLA-019-681-40118	2
Door Handle	CLA-019-681-40309	4
European Hinge	CLA-019-681-4005	8
Adjustable Floor Glide	CLA-019-681-4086	6
Anti-tipping Restraint	CLA-019-0617-30157	1
Magnetic Catch	CLA-019-681-4012	4
Adjustable Shelf	CLA-019-681-4023	4

RTA Hardware			
Hardware List			Q'ty
A		Flat Washer: 5/16	12
B		Lock Washer: 5/16	12
C		Nut: 5/16	12
D		Wrench	1



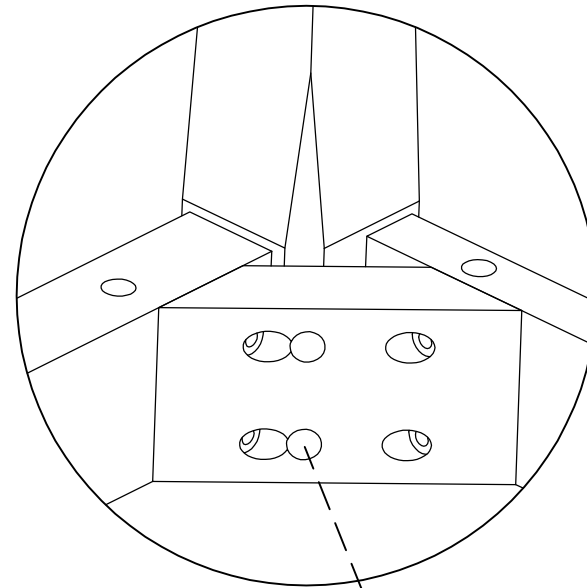
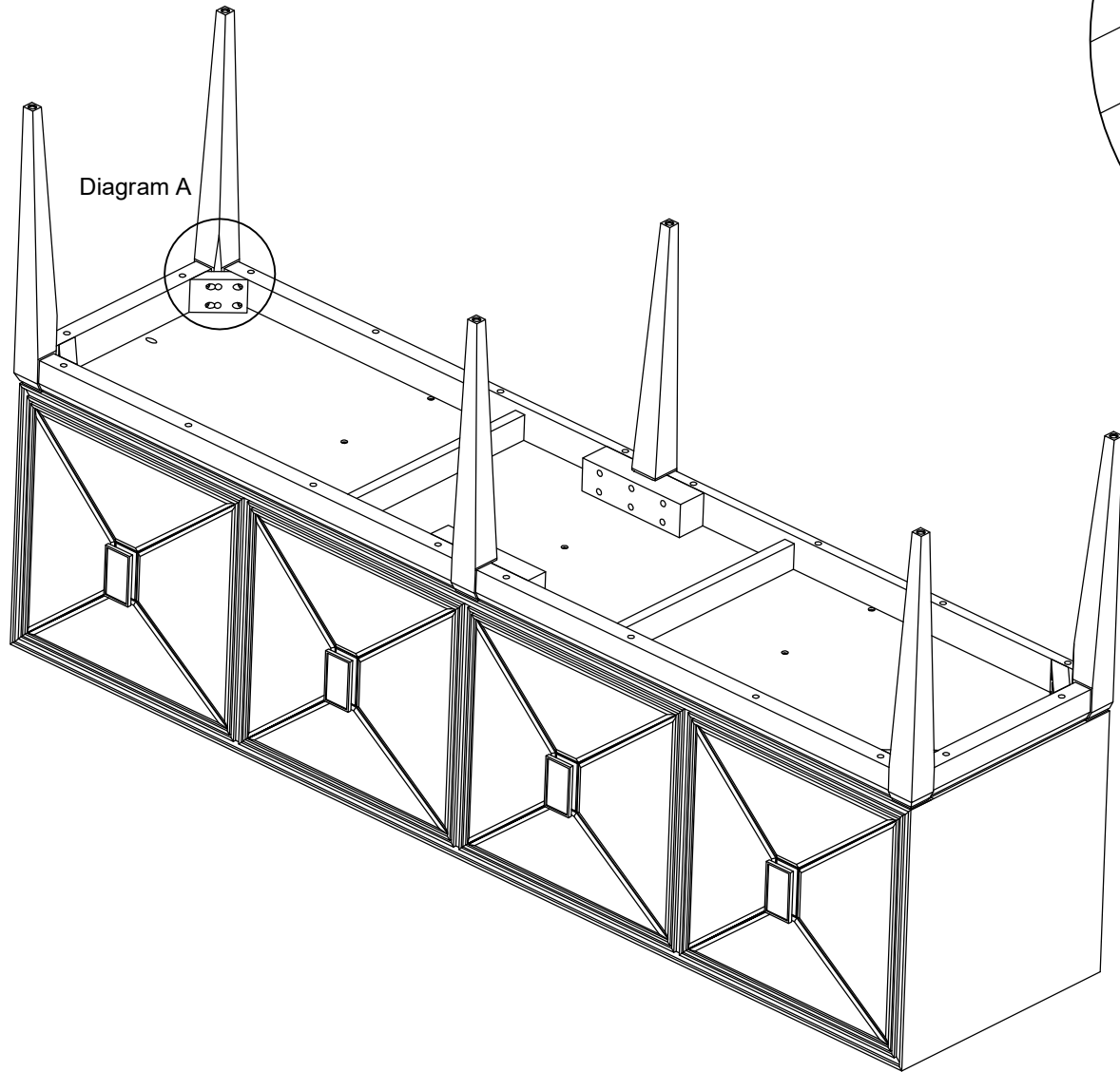


Diagram A

