

CLA-019-417 End All

CARACOLE CLASSIC

ASSEMBLY INSTRUCTIONS

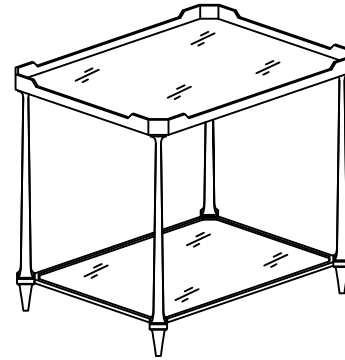
PLEASE UNPACK ALL PARTS AND CHECK QUANTITY AGAINST PARTS LIST BEFORE DISCARDING PACKING CARTON!

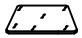
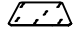

Assembling Steps:


- 1) Unpack the carton and put the frame upright on a flat floor.
- 2) Put the clear plastic bumpers (A) on the frame.
- 3) Put the glass shelf (2) onto the frame.

*** NOTE KEEP THIS SHEET!!! ***

In the unlikely event that you would need a replacement part, please contact your local authorized Caracole dealer.



| CLA-019-417 | | | | |
|-------------|---|------------------------|-----------------|-----|
| End All | | | | |
| Part List | | | | |
| NO. | Hardware List | | Part Number | QTY |
| 1 |  | Glass Top Insert | CLA-019-417-029 | 1 |
| 2 |  | Glass Shelf | CLA-019-417-028 | 1 |
| 3 |  | Adjustable Floor Glide | CLA-019-417-075 | 4 |

| RTA Hardware | | | |
|---------------|---|--------------|-----|
| Hardware List | | | QTY |
| A |  | Clear Bumper | 6 |

