

CLA-019-407 Be All

CARACOLE CLASSIC

ASSEMBLY INSTRUCTIONS

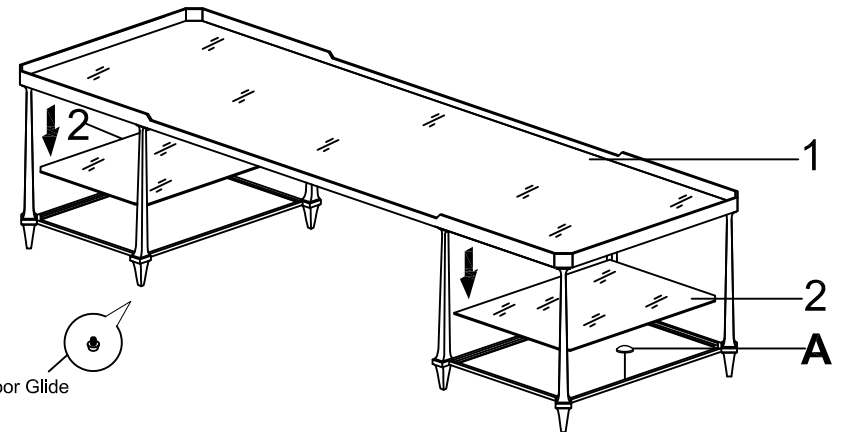
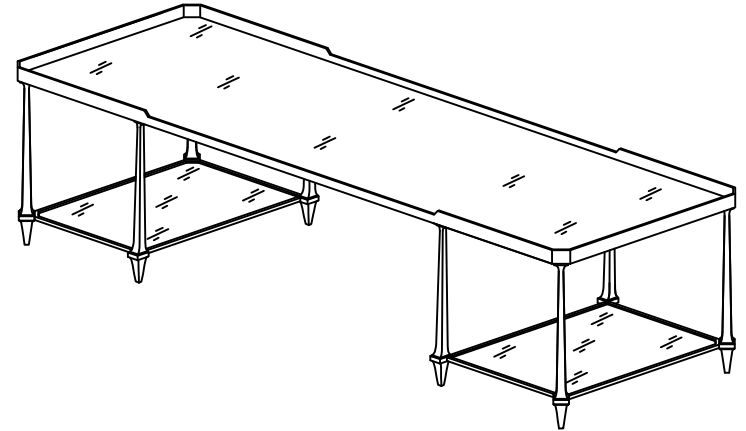
PLEASE UNPACK ALL PARTS AND CHECK QUANTITY AGAINST PARTS LIST BEFORE DISCARDING PACKING CARTON!

Assembling Steps:

- 1) Unpack the carton and put the frame upright on a flat floor.
- 2) Put the clear plastic bumpers (A) on the frame.
- 3) Put the glass shelf (2) onto the frame.

*** NOTE KEEP THIS SHEET!!! ***

In the unlikely event that you would need a replacement part, please contact your local authorized Caracole dealer.



Adjustable Floor Glide

CLA-019-407			
Be All			
Part List			
NO.	Hardware List	Part Number	QTY
1	Glass Top Insert	CLA-019-417-029	1
2	Glass Shelf	CLA-019-417-028	2
3	Adjustable Floor Glide	CLA-019-417-075	8

RTA Hardware			
Hardware List			QTY
A		Clear Bumper	12