

# CLA-019-205 : WOOD TABLE TOP +TABLE BASE CARACOLE CLASSIC CASUAL

## ASSEMBLY INSTRUCTIONS

TWO (2) PEOPLE AND PHILIP'S SCREWDRIVER REQUIRED




PLEASE UNPACK ALL PARTS AND CHECK AGAINST PARTS LIST ON THIS INSTRUCTION SHEET BEFORE DISCARDING PACKING AND CARTON!!

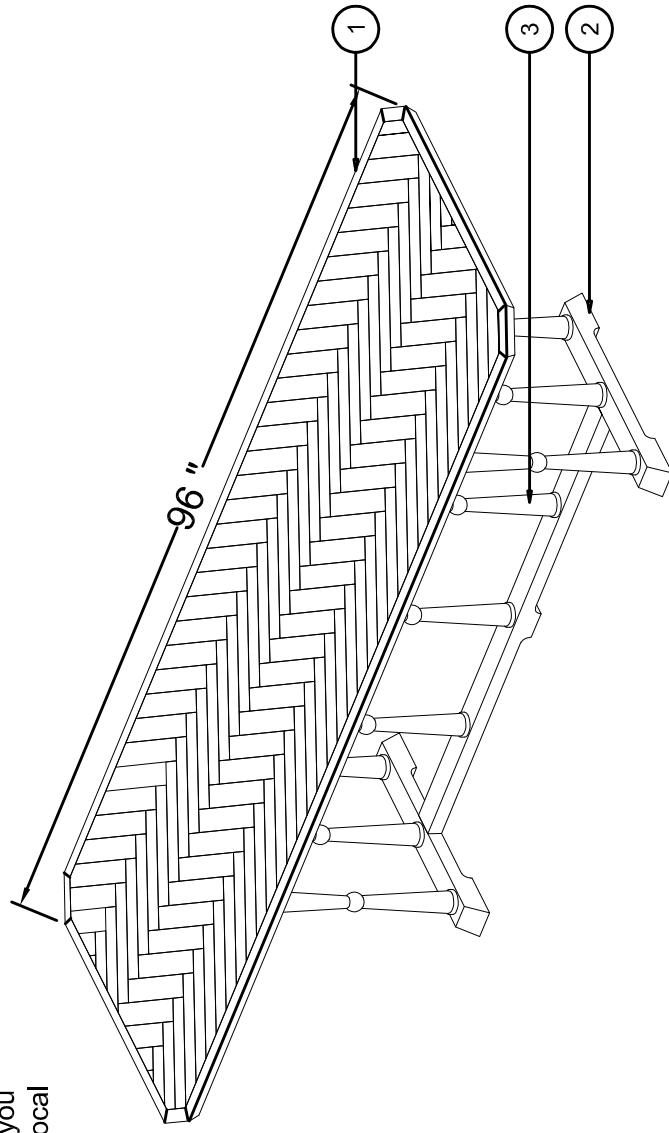
INSTRUCTION OF THIS ITEM: SEE PAGE 2

\*\*\* NOTE KEEP THIS SHEET!!! \*\*\*

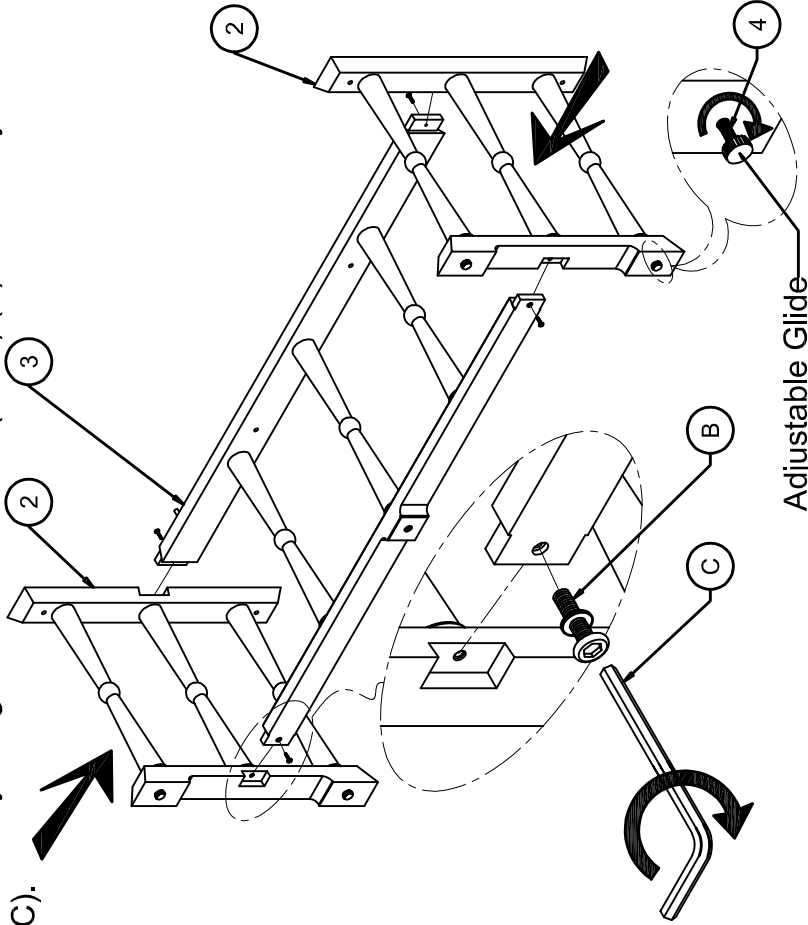
In the unlikely event that you would need a replacement part for your table, please contact your local authorized Schnadig International dealer. If you need replacement hardware quickly, it could be purchased from your local hardware store.

Part Description	Part No.	QTY
1 TABLE TOP		1 (pc)
2 TABLE BASE (side)		2 (pcs)
3 TABLE BASE (center)		1 (pc)
4 Adjustable Glide	CLA-019-205-3003	4 (pcs)

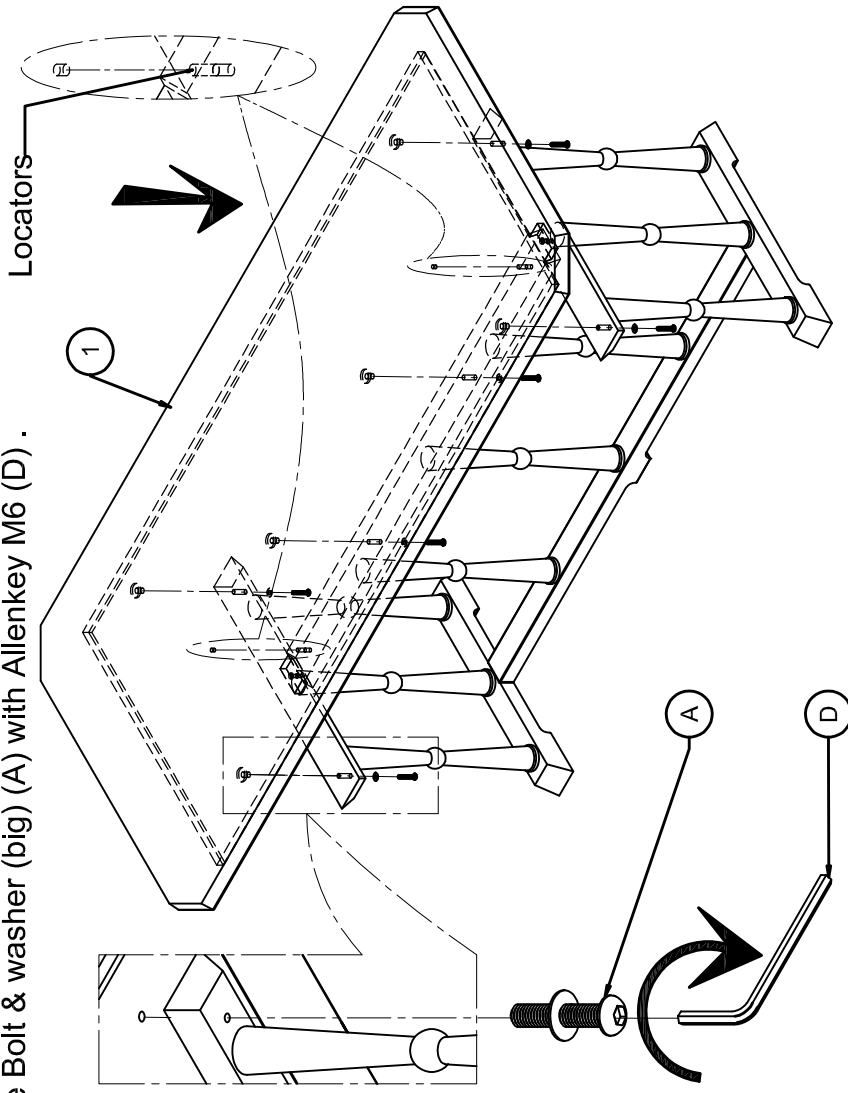
RTA Hardware		
NO.	Hardware List	QTY
A	 Bolt & washer (big)	6 (Set)
B	 Bolt & washer (small)	4 (Set)
C	 Allen key M4	1 (Pc)
D	 Allen key M6	1 (Pc)



**STEP 1 :** Connect the Center Base (3) and Side table base (2) by using the Bolt & washer (small) (B) , Allen key M4 (C).



**STEP 2 :** Place the Top (1) on the Base by aligning the locators on the Base to the holes on the Top. Tighten the Bolt & washer (big) (A) with Allenkey M6 (D).



**FINISHED**

