

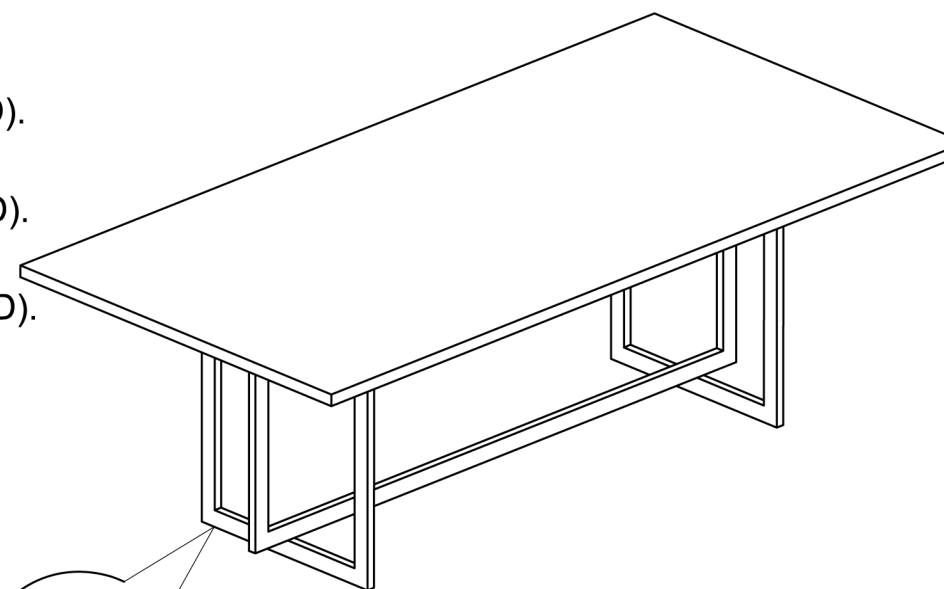
CLA-019-203B/T WISH YOU WERE HERE BASE/TOP

CARACOLE CLASSIC

ASSEMBLY INSTRUCTIONS

PLEASE UNPACK ALL PARTS AND CHECK QUANTITY AGAINST PARTS LIST BEFORE DISCARDING PACKING CARTON!

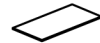




- 1) Turn the table marble top (1) down on a smooth ,soft surface.
- 2) Turn the table top assembly (2) down on a smooth ,soft surface.
- 3) Put the bolt (A) through the lock washer (B) and flat washer (C), align the side Panel (3) with the hole position of the top assembly(2), and fix the bolt (A) with wrench (D).
- 4) Put the bolt (A) through the lock washer (B) and flat washer (C), align the middle frame (4) with the hole position of the side panel(3), and fix the bolt (A) with wrench (D).
- 5) Put the bolt (E) through the lock washer (B) and flat washer (C), align the top assembly (2) with the hole position of the marble top (1), and fix the bolt (E) with wrench (D).
- 6) Turn over the table, adjust the floor glide.








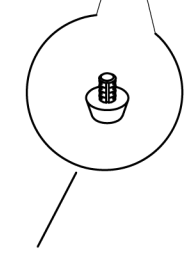
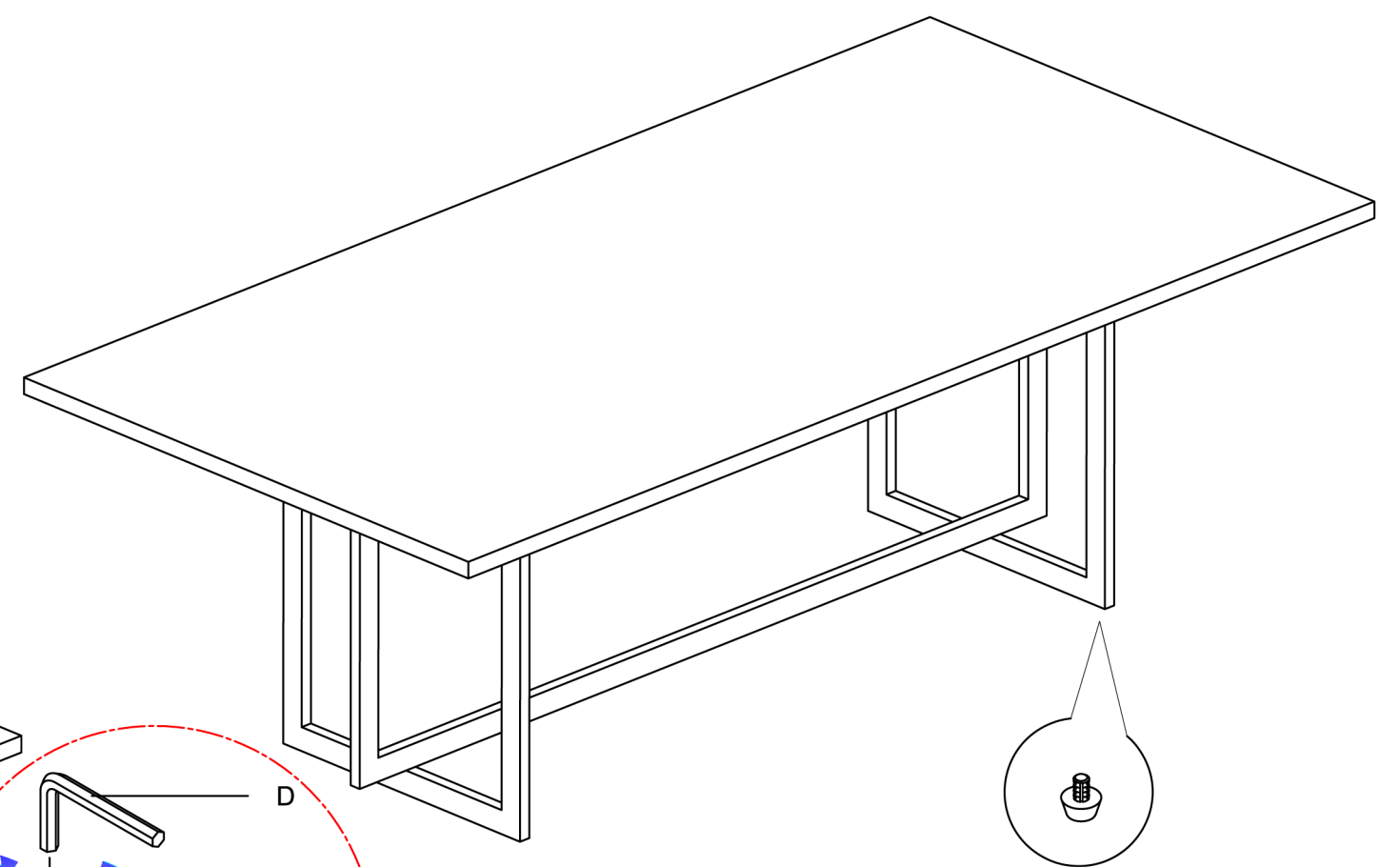
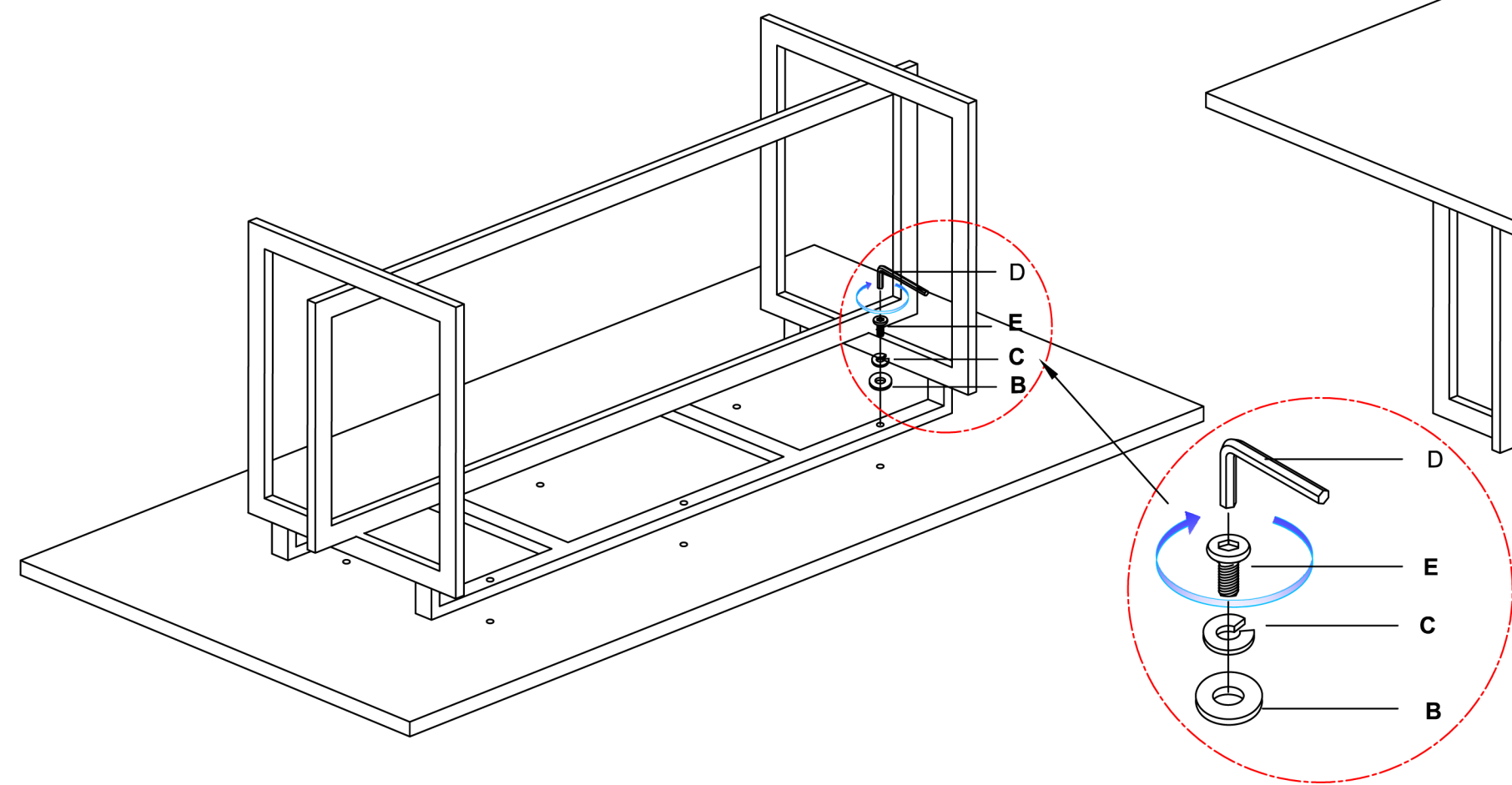
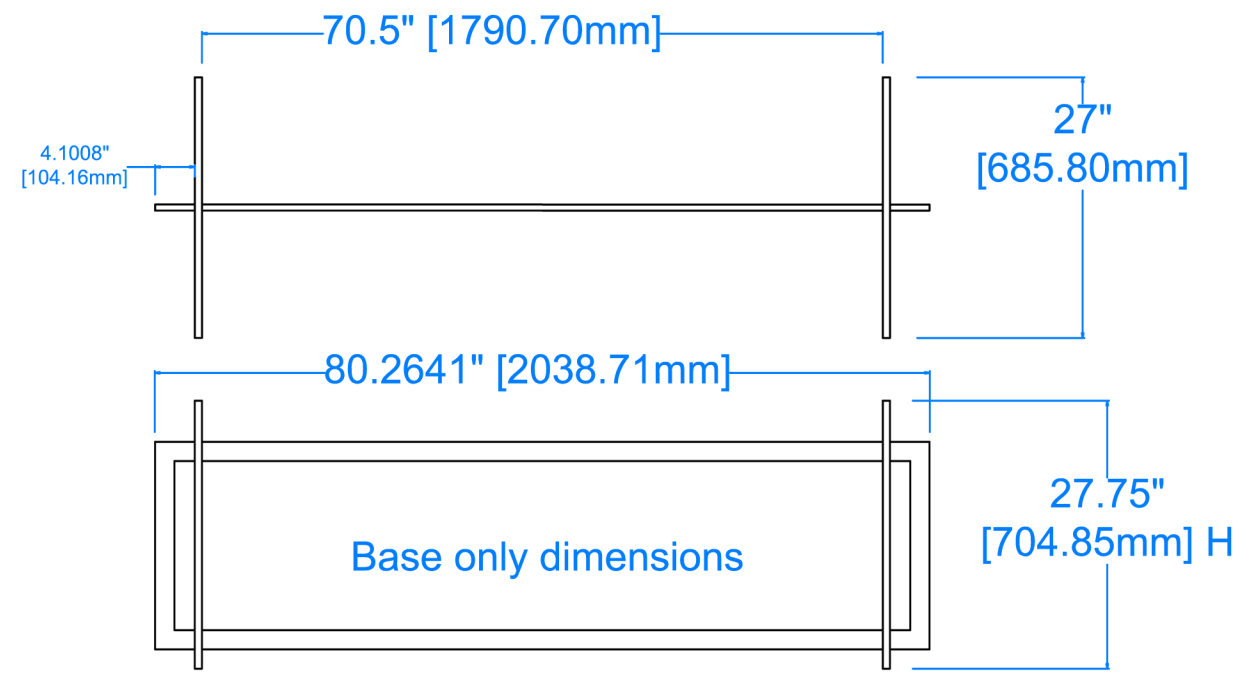
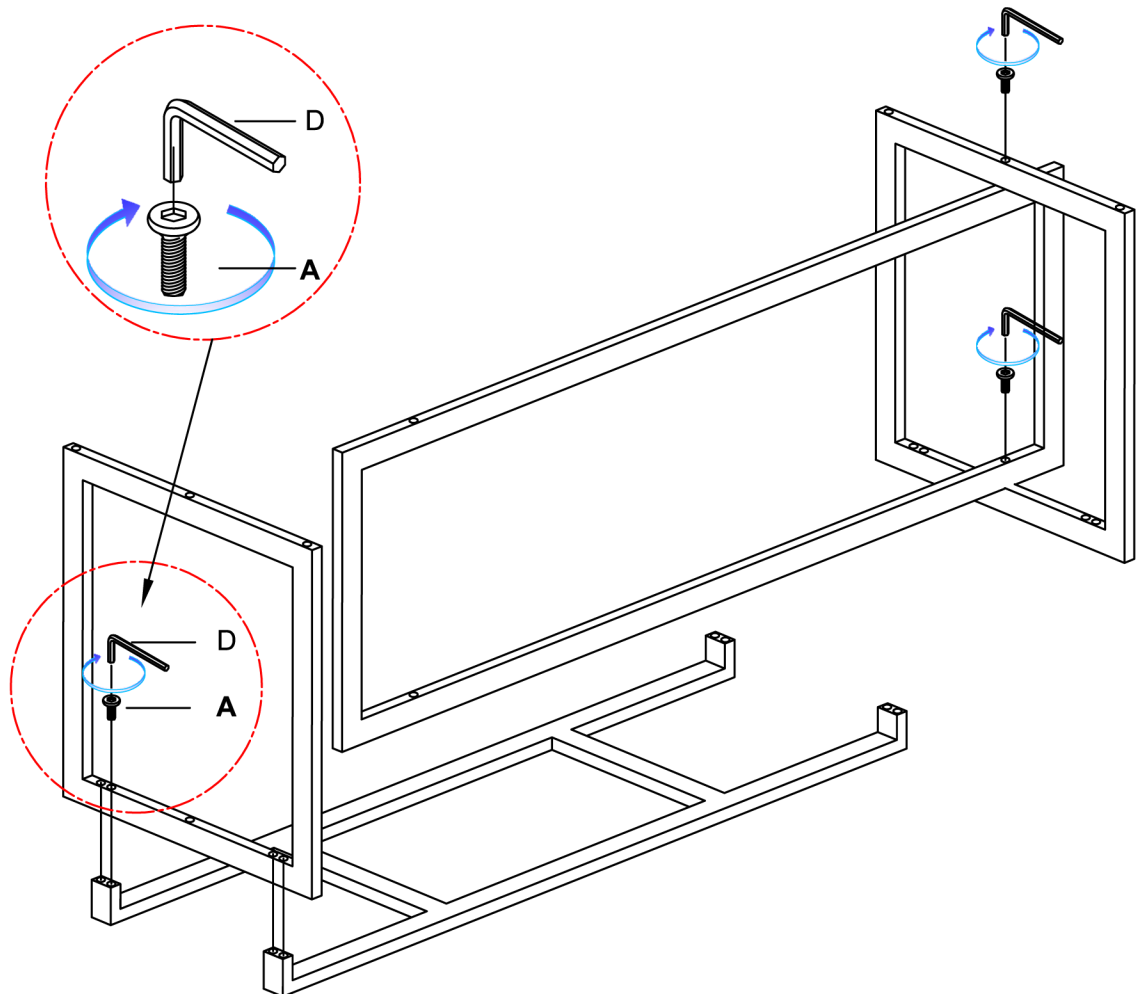
Adjustable Floor Glide

*** NOTE KEEP THIS SHEET ***

In the unlikely event that you would need a replacement part for your furniture, please contact your local authorized Schnadig International dealer. If you need replacement hardware quickly, it could be purchased from your local hardware store.

CLA-019-203B/T				
WISH YOU WERE HERE BASE/TOP				
Part List				
Hardware List		Part Number		QTY
1		Marble Top	CLA-019-203T-0171	1
2		Top Assembly	CLA-019-203B-0123	1
3		Side Panel	CLA-019-203B-0216	2
4		Middle Frame	CLA-019-203B-0189	1
5		Floor Glide	CLA-019-203B-075	4

RTA Hardware			
Hardware List			QTY
A		Bolt5/16(in)x70(mm)	12
B		Flat Washer:5/16	6
C		Lock Washer:5/16	6
D		Wrench	1
E		Bolt5/16(in)x38(mm)	6



Adjustable Floor Glide