

# CLA-019-2013 ROUGH AND READY TABLE CARACOLE CLASSIC CASUAL

**ASSEMBLY INSTRUCTIONS**

**TWO (2) PEOPLE AND PHILIP'S SCREWDRIVER REQUIRED**

**PLEASE UNPACK ALL PARTS AND CHECK AGAINST PARTS LIST ON THIS INSTRUCTION SHEET BEFORE DISCARDING PACKING AND CARTON!!**

1 ) Place the Top (1) on the Base (2) by aligning the locators (pre-glued) on the Base to the holes on the Top bottom.

Tighten the 4 bolts + Washers (A) with Allen key (B) provided. (See step 1)

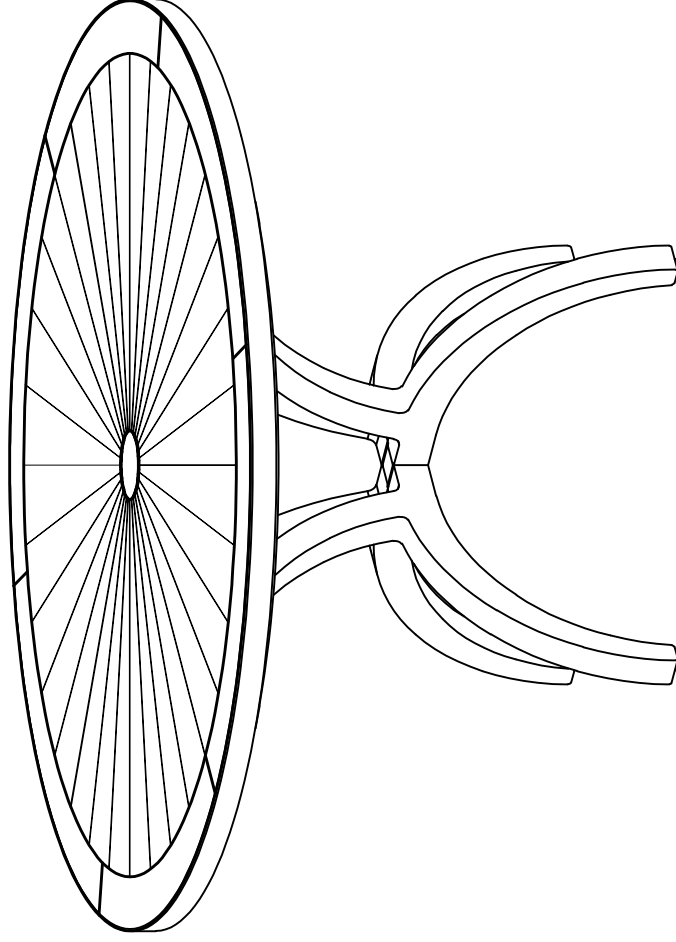
2 ) Finished !

**\*\*\* NOTE KEEP THIS SHEET!!! \*\*\***

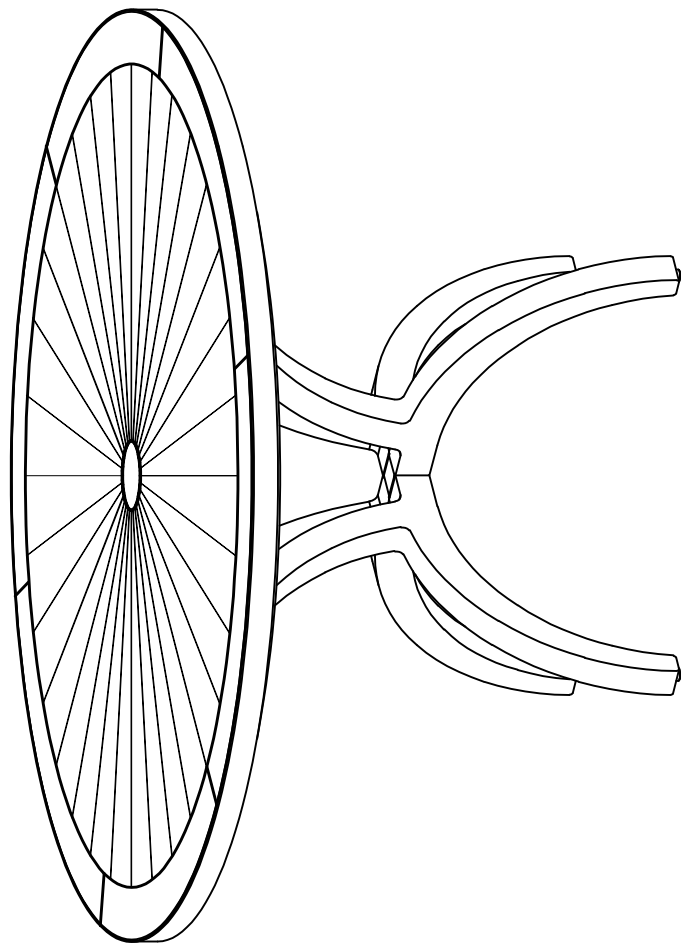
In the unlikely event that you would need a replacement part for your table, please contact your local authorized Schnadig International dealer. If you need replacement hardware quickly, it could be purchased from your local hardware store.

Part Description	Part No.	QTY
1 TOP		1 (pc)
2 BASE		1 (pc)
3 Adjustable Glide	CLA-019-205-3003	4 (pcs)

RTA Hardware		
NO.	Hardware List	Q'ty
A	 Bolt & washer	4 (Sets)
B	 Allen key M4	1 (Pc)



Finished.



STEP 1

