

CLA-019-071 : LADY LOVE




CARACOLE CLASSIC REEDED

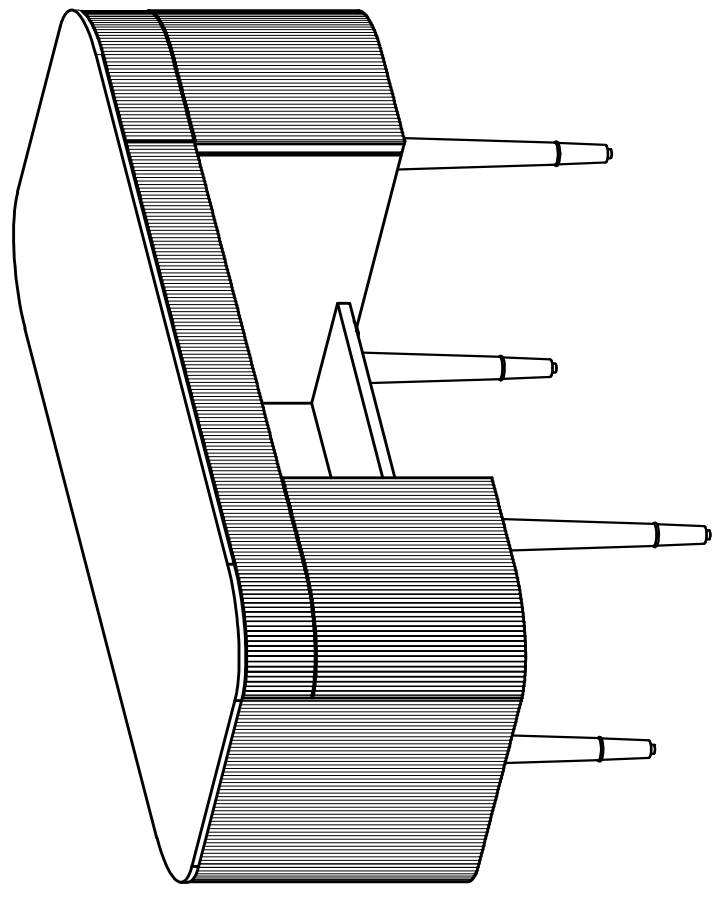
ASSEMBLY INSTRUCTIONS
TWO (2) PEOPLE AND PHILIP'S SCREWDRIVER REQUIRED
PLEASE UNPACK ALL PARTS AND CHECK AGAINST PARTS LIST
ON THIS INSTRUCTION SHEET BEFORE DISCARDING PACKING AND CARTON!!

Place the Top (1) onto the clean & flat floor, Align the Acrylic leg (B) with the top by two bolts (A)
 After assembly finished , turn the table up-side down and move to the its final position,

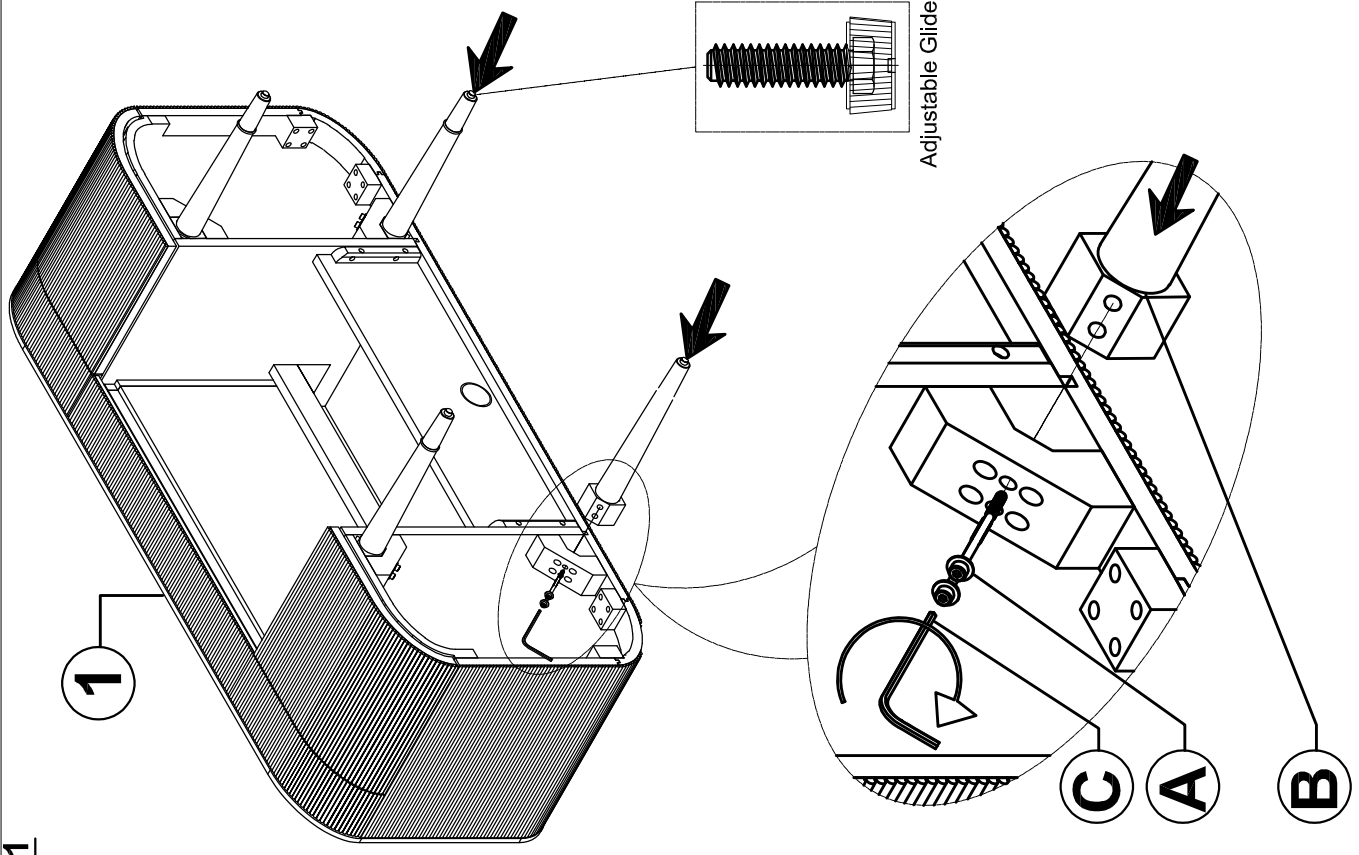
***** NOTE KEEP THIS SHEET!!! *****
 In the unlikely event that you would need a replacement part for your table, please contact your local authorized Schnadig International dealer. If you need replacement hardware quickly, it could be purchased from your local hardware store.

Part Description	Part No.	QTY
1 Desks		1(pc)
2 Acrylic leg	CLA-019-071-3018	4(pcs)
3 Jewelry Tray	CLA-019-071-3024	2(pcs)
4 Adjustable Glide	CLA-019-071-3003	4(pcs)
5 Grommet	CLA-019-071-3025	1(pc)
6 Drawer guide 12 "	CLA-019-071-30020	4(sets)
7 Hinge	CLA-019-071-3005	2(pcs)

RTA Hardware	
NO.	Hardware List
A	 Bolt + Washer (Ø16x91mm) 8(pcs)
B	 Acrylic leg 4(pcs)
C	 Allen key 5 1(pc)



Step 1



Step 2

