

# CLA-019-051 I LOVE IT

## CARACOLE CLASSIC REEDED

### ASSEMBLY INSTRUCTIONS

TWO (2) PEOPLE AND PHILIP'S SCREWDRIVER REQUIRED

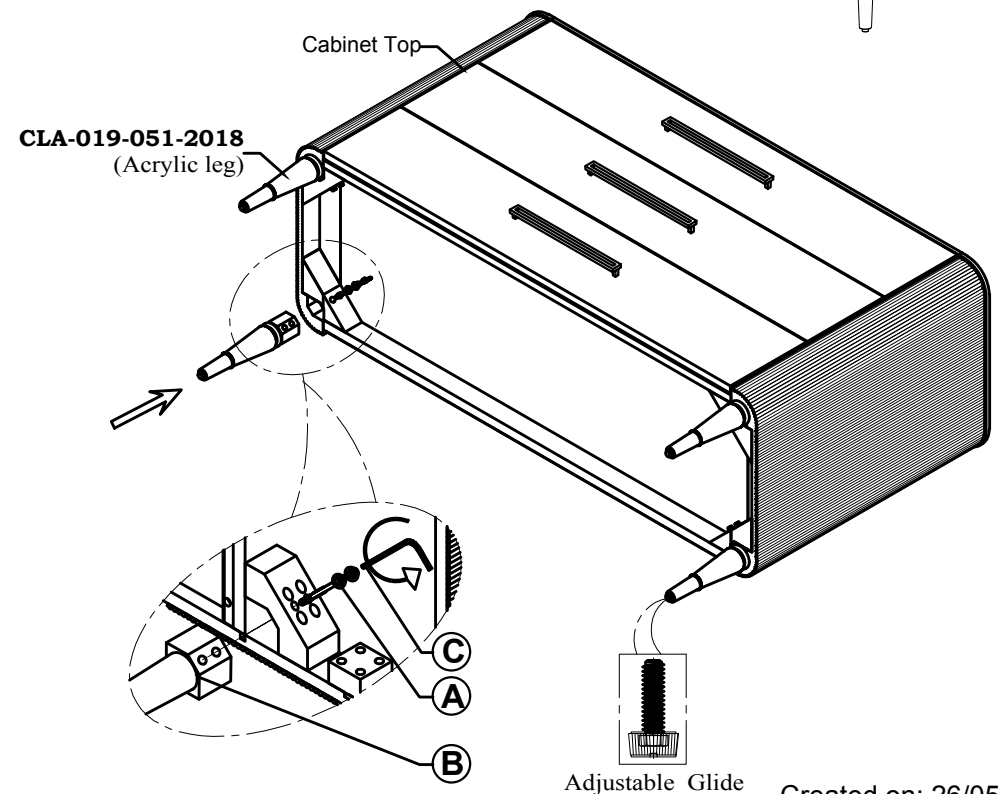
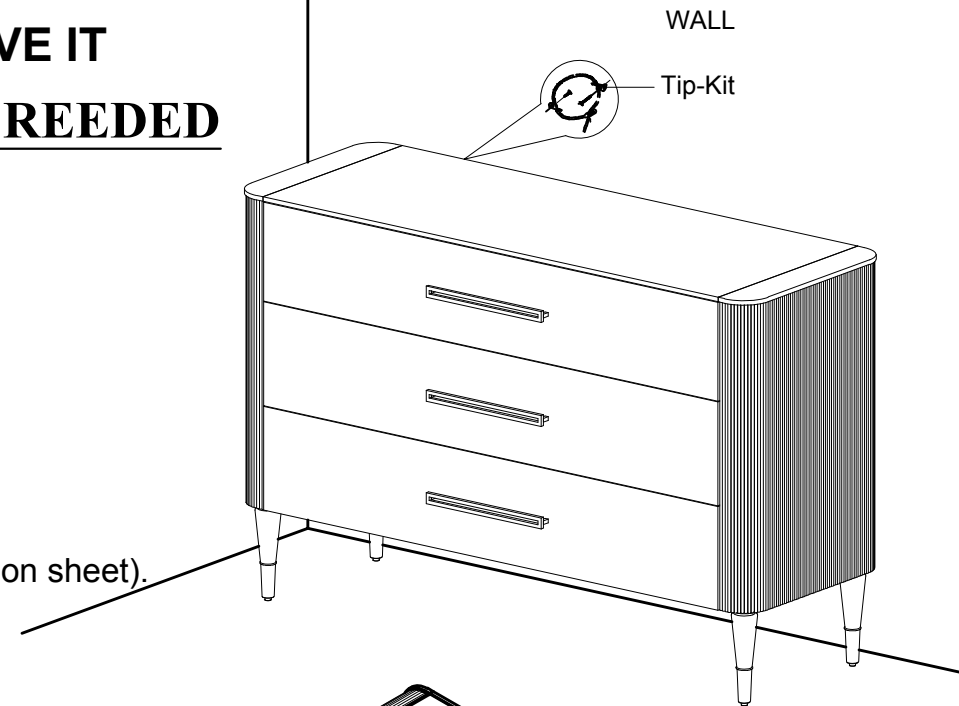
PLEASE UNPACK ALL PARTS AND CHECK AGAINST PARTS LIST  
ON THIS INSTRUCTION SHEET BEFORE DISCARDING PACKING AND CARTON!!

Put the top (1) on the clean & flat floor, Align the Acrylic leg (2) to the leg slot on Top,  
attach the bolt + washer then tighten

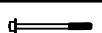


After assembly finished, turn the unit up right and move to final position,  
This item use anti-tipping restraint straps (follow anti-tip hardware pack instruction sheet).

\*\*\* NOTE KEEP THIS SHEET!!! \*\*\*

In the unlikely event that you would need a replacement part for your table,  
please contact your local authorized Schnadig International dealer. If you  
need replacement hardware quickly, it could be purchased from your local  
hardware store.



Part Description	Part No.	QTY
1 Cabinet top		1(pc)
2 Acrylic leg	<b>CLA-019-051-3018</b>	4(pcs)
3 Adjustable Glide	<b>CLA-019-051-3003</b>	4(pcs)
4 Drawer Glide 10 "	<b>CLA-019-051-30020</b>	3(sets)
5 Drawer Handle	<b>CLA-019-051-3020</b>	3(pcs)
6 Tip-Kit	<b>CLA-019-051-3019</b>	1(pc)

Hardware List			
A		Bolt (Ø10 x76 mm) + washer (Ø16x1 mm)	8(pcs)
B		Acrylic leg	4(pcs)
C		Allen key 5	1(pc)

Adjustable Glide

Created on: 26/05/2020