

CLA-018-041 INSPIRED VISION

CARACOLE CLASSIC

Thank you for choosing this quality product. Be sure to check all packaging materials carefully for small parts that may have loosened inside the carton during shipment and place on a non-abrasive surface.

IMPORTANT SAFETY INSTRUCTIONS

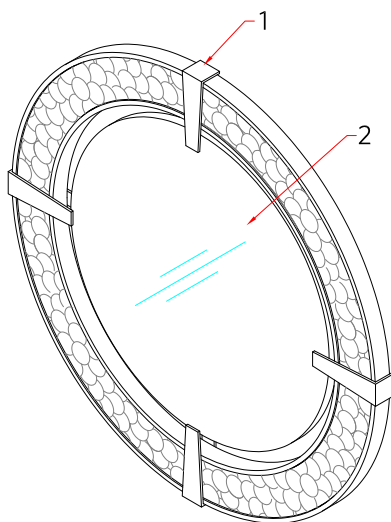
1. Adult assembly only owing to the presence of small parts, sharp points and edges.
2. Professional installation is recommended. Serious injury or death can occur if mirror is not hung correctly. Do not use wire to hang the mirror. Please follow correct hanging methods for your wall type. Your safety is dependent on the construction and strength of the wall to which it is attached.
3. Be sure your wall can tolerate a fixture weight 45 lbs.
4. Check mirror periodically to see that no fittings have loosened and need attention.
5. For your safety, assembly by two or more adults is strongly recommended.

CARE INSTRUCTIONS

1. Basic cleaning with a dry cloth should be done as soon as possible once a spill occurs - do not let spills. Follow up by cleaning with a damp cloth, and finally dry the surface once more with a soft, dry cloth.
2. If debris lingers in the grain of the faux shagreen, dip a toothbrush into clean water and brush the dirt out using the toothbrush. Follow by drying with a soft, dry cloth.
3. Use of placemats and coasters is recommended to protect the finish.
4. Do not subject the table top to direct heat or sunlight.

*** NOT KEEP THIS SHEET!!! ***

In the unlikely event that you would need a replacement part for your furniture, please contact your local authorized Schnadig International dealer. If you need replacement hardware quickly, it could be purchased from your local hardware store.



		CLA-018-041	
		INSPIRED VISION	
Part Description	Part No.	QTY.	
Metal Décor (1)	CA047F01-DECOR	4 pcs.	
Central part (2)	CA047F01-CENT	1 pc.	
Hanger for mirror (3)	CA017F01-HAGM	1 pc.	
Hanger for wall & screws (4)	CA017F01-HAGR	1 set	

HANGER FOR WALL & SCREWS (4)			
No.	Drawing	Description	Qty.
A		Hanger Bracket	1 pc.
B		Hollow Wall Anchor (L=60mm)	6 pcs.
C		Plastic Anchor (Ø14x47mm)	6 pcs.
D		Screw (Ø8x40mm)	6 pcs.

ASSEMBLY INSTRUCTIONS BY WALL TYPE

- **CONCRETE:** Drill pilot hole on each marking, and then insert plastic anchor. Use a screwdriver to attach the bracket to the wall with screws. See FIGURE 1A.
- **DRYWALL WITH STUDS:** Use screws to affix to studs, and use hollow wall anchors and screws to affix to drywall. See FIGURE 1B.
- **DRYWALL WITHOUT STUDS:** Use hollow wall anchors and screws to affix to drywall. See FIGURE 1C.

FIGURE 1A
CONCRETE

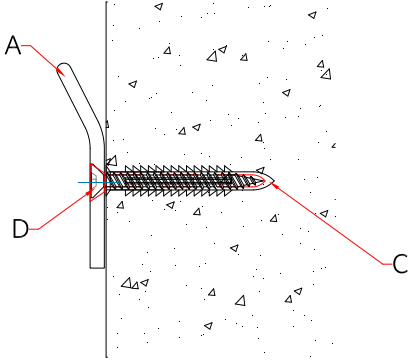


FIGURE 1B
DRYWALL W/STUDS

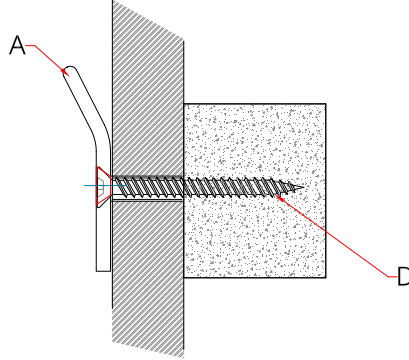
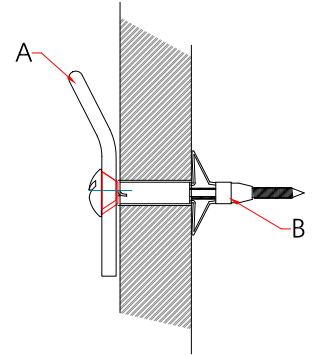


FIGURE 1C
DRYWALL W/O STUDS



ASSEMBLY INSTRUCTIONS

1. Preset the mirror on your desired location, and mark the location with a light pencil mark. Use tape or pencil to transcribe the location of the back of the mirror's pre-installed bracket to the wall. Below this marking is where you will install the included metal wall-mount bracket. See FIGURE 2.
2. Hold the bracket against the wall and mark with pencil the locations of the bracket screw holes, ensuring levelness. See FIGURE 2.
3. Drill a hole on each mark, and then tap anchor into hole until flush with surface. See "ASSEMBLY INSTRUCTIONS BY WALL TYPE" for mounting instructions based on your wall type: concrete, drywall, or drywall and studs.
4. Tighten the screws into the anchors while maintaining constant pressure on the anchor to set. Remove screws. Hold metal bracket over the inserted anchors, and reinstall screws through the wall bracket holes, and tighten until snug against wall. See FIGURE 1.
5. Install the mirror on the wall bracket as illustrated in FIGURE 3.

