

## CLA-017-681 Worth Its Weight In Gold

### CARACOLE CLASSIC




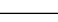





#### ASSEMBLY INSTRUCTIONS

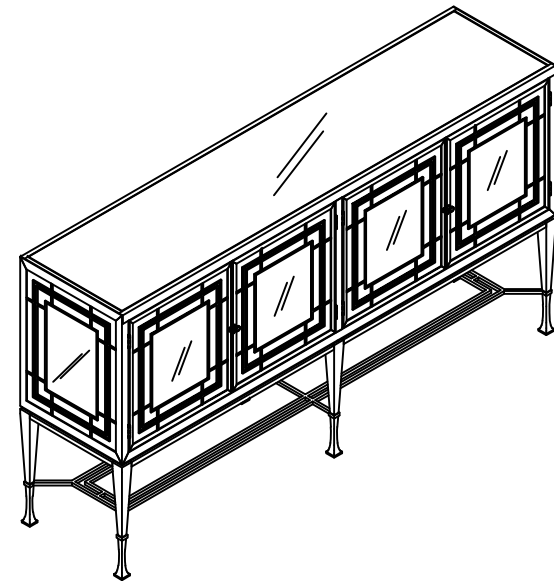
**PLEASE UNPACK ALL PARTS AND CHECK QUANTITY AGAINST PARTS LIST BEFORE DISCARDING PACKING CARTON!**

- 1) This product is set-up, so there is no assembling steps.
- 2) The assembling drawings are only for replacement of parts just in case.

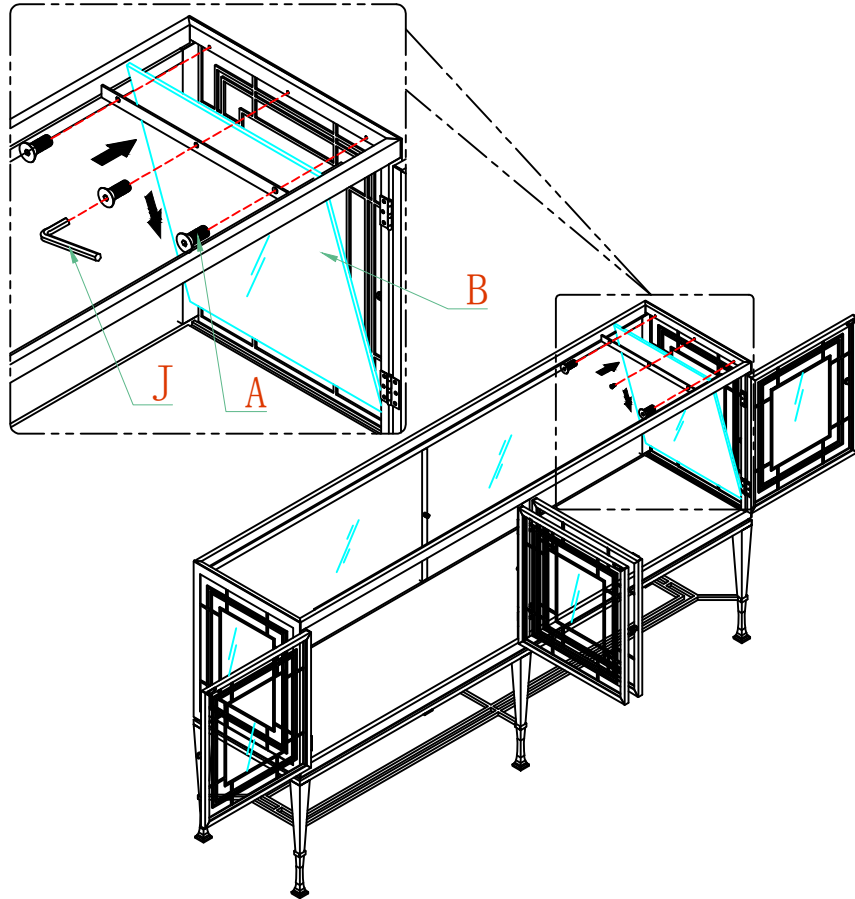
\*\*\* NOTE KEEP THIS SHEET \*\*\*

In the unlikely event that you would need a replacement part for your furniture, please contact your local authorized Schnadig International dealer. If you need replacement hardware quickly, it could be purchased from your local hardware store.

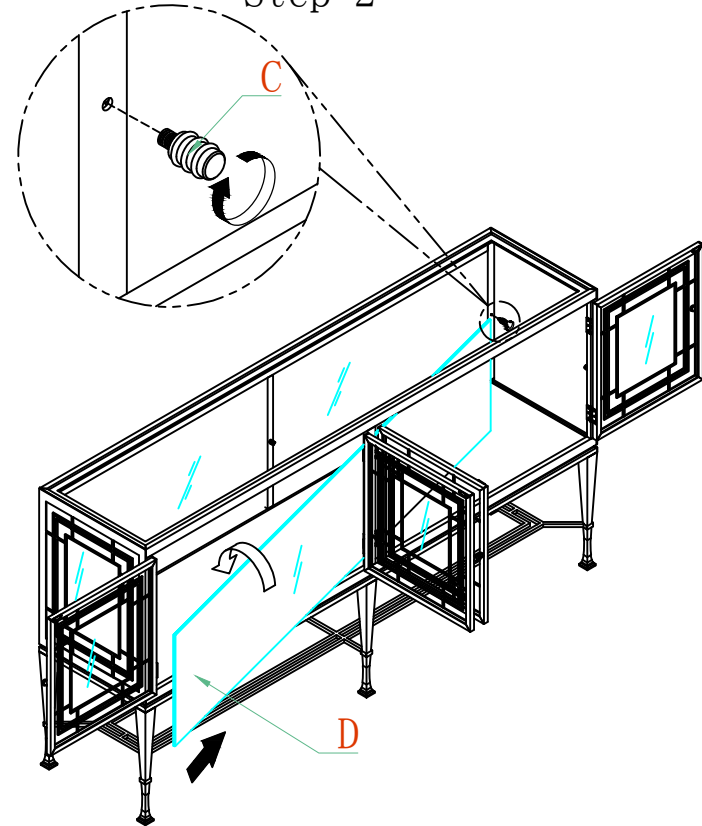
<b>CLA-017-681</b>				
MANHATTAN COCKTAIL				
Part List				
Hardware List		Part Number		QTY
A		M6 Screw	CLA-017-681-0183L	6
B		END GLASS INSERT<368*466*6mm>	CLA-017-681-0115	2
C		ADJUSTABLE SHELF HOLDER	CLA-017-681-0286	6
D		GLASS SHELF<1703*368*6mm>	CLA-017-681-028	1
E		Plastic Bumper	CLA-017-681-0169	8
F		GLASS TOP <1694*374*6mm>	CLA-017-681-029	1
G		Adjustable Floor Glide	CLA-017-681-075	6
H		Door Glass Insert<382*441*6mm>	CLA-017-681-046	4
I		M4 Screw	CLA-017-681-0183S	8
J		4mm"L" Wrench	CLA-017-681-0410L	1
J1		3mm"L" Wrench	CLA-017-681-0410S	1
K		Tip-Tilt Restraint Hardware Bag	CLA-017-681-0157	1
L		Door Knob	CLA-017-681-083	4



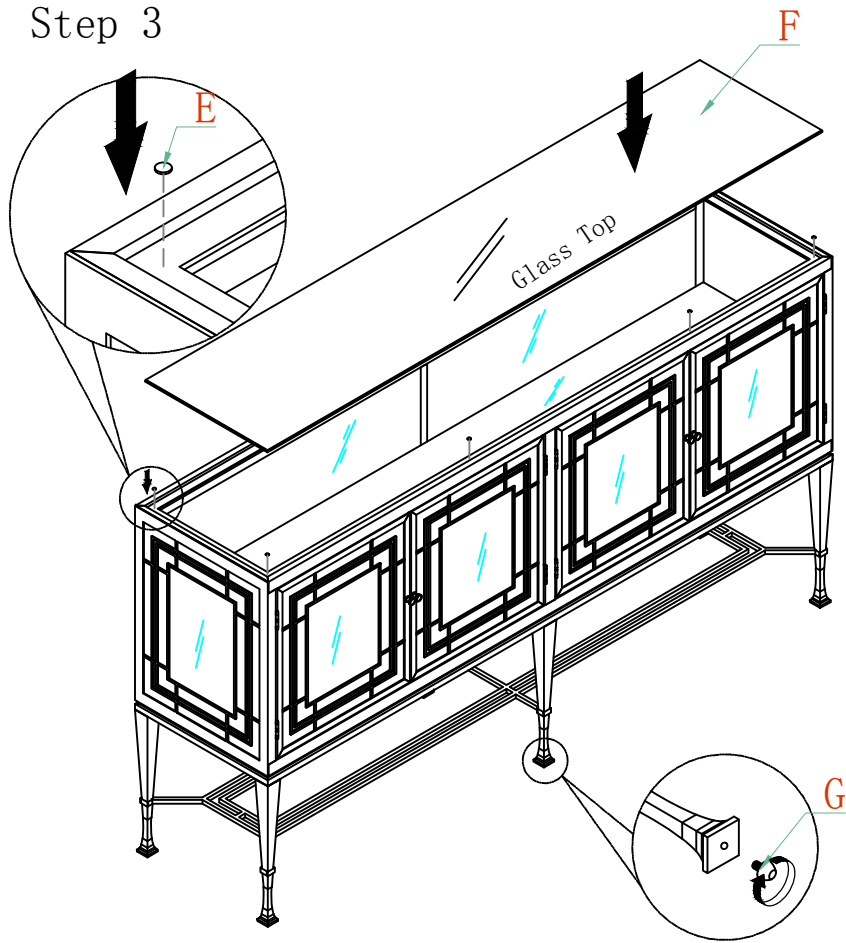
Step 1



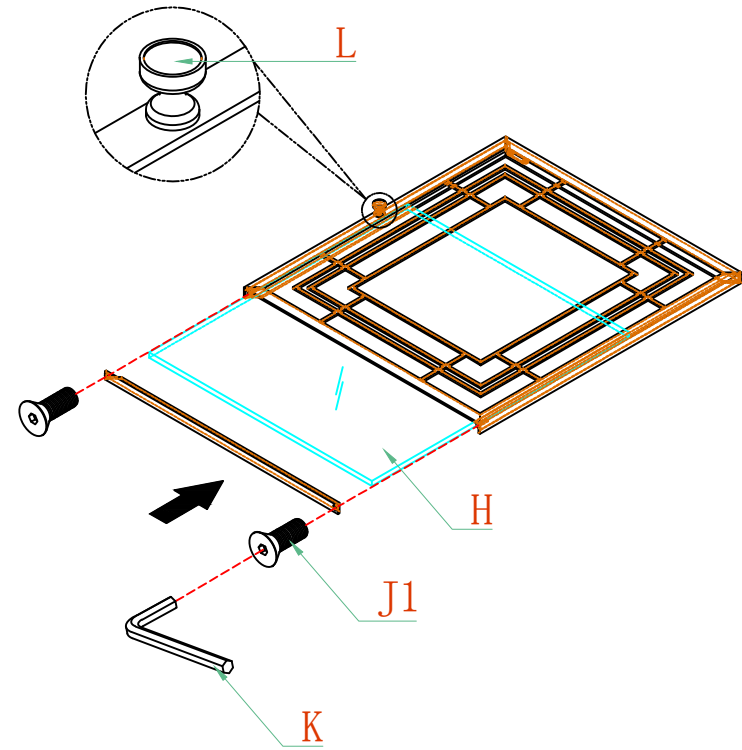
Step 2



Step 3



Step 4



Step 5

