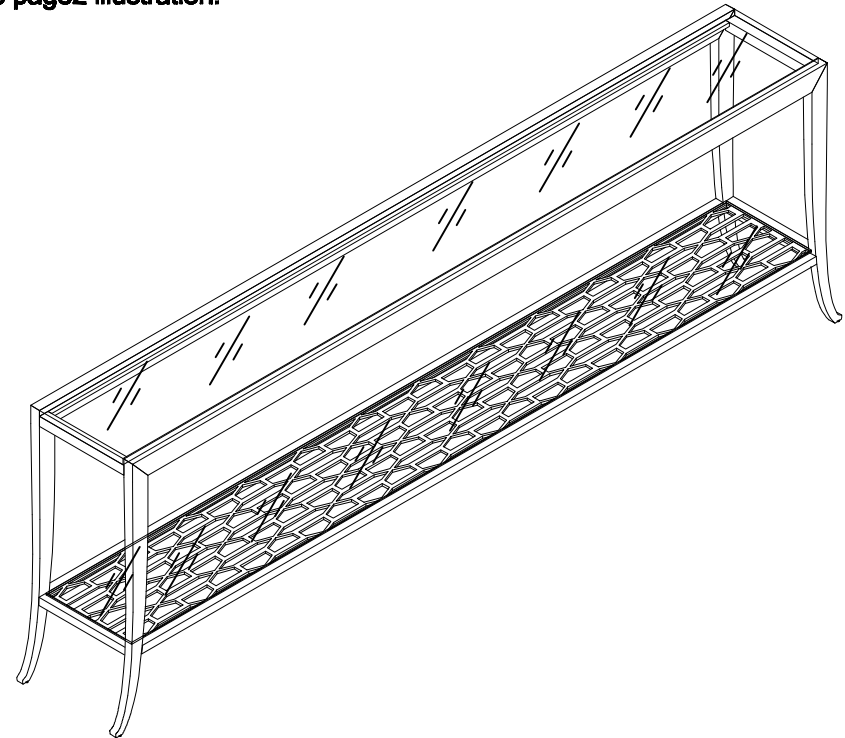


**CLA-016-441**  
**CARACOLE CLASSIC**

**ASSEMBLY INSTRUCTIONS**

**PLEASE UNPACK ALL PARTS AND CHECK QUANTITY AGAINST PARTS LIST BEFORE DISCARDING PACKING CARTON!**

- 1) Open the carton and inside there are one metal frame, a glass top and a glass shelf.
- 2) Position the frame in a required display location.
- 3) Insert the rubber bumpers into the top and bottom metal support as the page2 illustration.
- 4) Carefully place the glass top and glass shelf into the top round frame.



\*\*\* NOTE KEEP THIS SHEET \*\*\*

In the unlikely event that you would need a replacement part for your furniture, please contact your local authorized Schnadig International dealer. If you need replacement hardware quickly, it could be purchased from your local hardware store.

<b><u>CLA-016-441</u></b>		
IN A HOLDING PATTERN		
Part Description	Part No.	QTY
<b>Glass Top</b>	<b>CLA-016-441-029</b>	<b>1</b>
<b>Glass Shelf</b>	<b>CLA-016-441-028</b>	<b>1</b>
<b>Adjustable Glide</b>	<b>CLA-016-441-003</b>	<b>4</b>
<b>RTA Hardware</b>	<b>CLA-016-441-001</b>	<b>1</b>

RTA Hardware			
Hardware List			QTY
A	○	<b>Clear Rubber Bumper</b>	<b>16</b>

