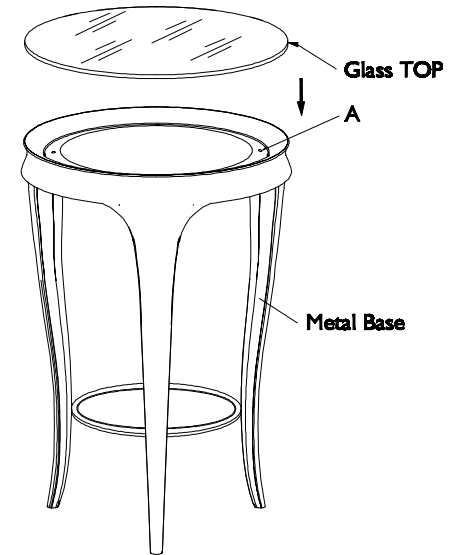
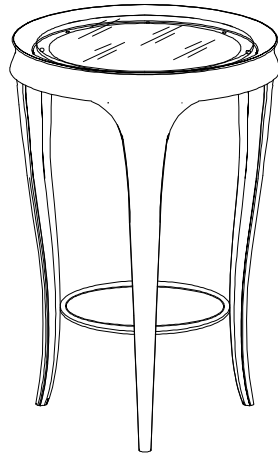


**CLA-016-416**  
**CARACOLE CLASSIC**

**ASSEMBLY INSTRUCTIONS**

**PLEASE UNPACK ALL PARTS AND CHECK QUANTITY AGAINST PARTS LIST BEFORE DISCARDING PACKING CARTON!**

- 1) Open the carton there is a metal base, inside the carton there is a glass top.
- 2) Place the rubber bumpers onto the frame top as shown in right illustration.
- 3) Place the glass top gently on the metal base in a balance position.



**\*\*\* NOTE KEEP THIS SHEET \*\*\***

In the unlikely event that you would need a replacement part for your furniture, please contact your local authorized Schnadig International dealer. If you need replacement hardware quickly, it could be purchased from your local hardware store.

<b><u>CLA-016-416</u></b>		
<b>JUST FOR YOU</b>		
Part Description	Part No.	QTY
<b>Glass Top</b>	<b>CLA-016-416-029</b>	<b>1</b>
Adjustable Floor Glide	CLA-016-416-003	4
RTA Hardware	CLA-016-416-001	1

<b>RTA Hardware</b>			
Hardware List			QTY
<b>A</b>	○	<b>Rubber Bumper</b>	<b>4</b>