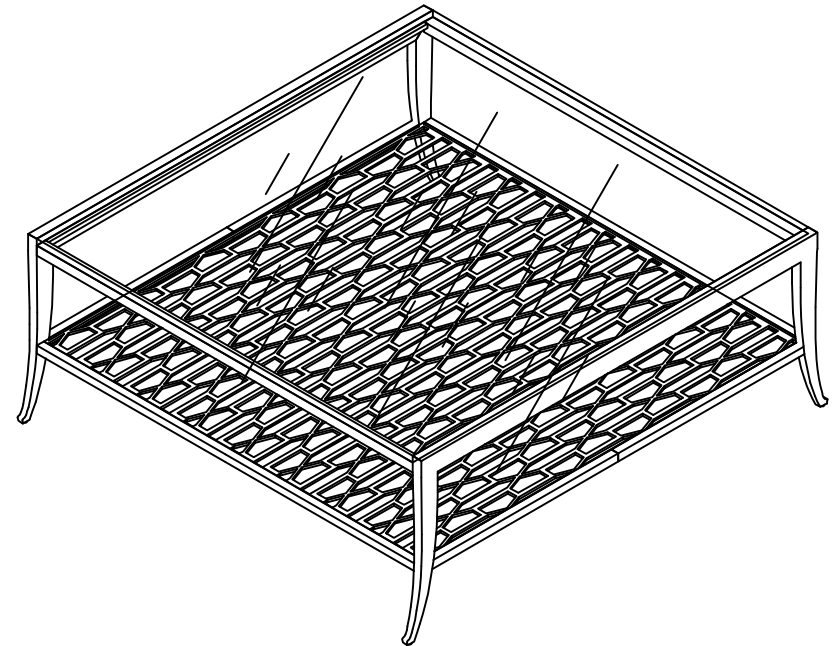


CLA-016-4014
CARACOLE CLASSIC

ASSEMBLY INSTRUCTIONS

PLEASE UNPACK ALL PARTS AND CHECK QUANTITY AGAINST PARTS LIST BEFORE DISCARDING PACKING CARTON!

- 1) Open the carton and inside there are one metal frame, a glass top and a glass shelf.
- 2) Position the frame in a required display location.
- 3) Insert the rubber bumpers into the top and bottom metal support as the page2 illustration.
- 4) Carefully place the glass top and glass shelf into the top round frame.



*** NOTE KEEP THIS SHEET ***

In the unlikely event that you would need a replacement part for your furniture, please contact your local authorized Schnadig International dealer. If you need replacement hardware quickly, it could be purchased from your local hardware store.

CLA-016-4014		
PATTERN RECOGNITI		
Part Description	Part No.	QTY
Glass Top	CLA-016-4014-029	1
Glass Shelf	CLA-016-4014-028	1
Adjustable Glide	CLA-016-4014-003	4
RTA Hardware	CLA-016-4014-001	1

RTA Hardware			
Hardware List			QTY
A	○	Clear Rubber Bumper	16

