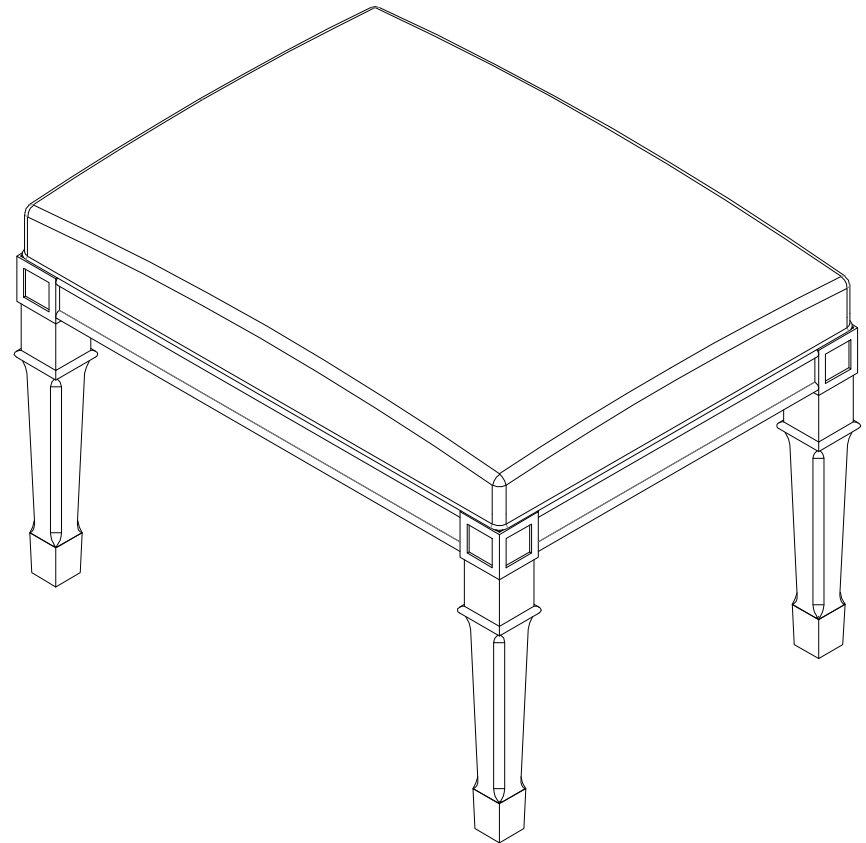


CLA-016-083
CARACOLE CLASSIC

ASSEMBLY INSTRUCTIONS

PLEASE UNPACK ALL PARTS AND CHECK QUANTITY AGAINST PARTS LIST BEFORE DISCARDING PACKING CARTON!

1) This is a set up construction item, all set up and installed in the factory.



***** NOTE KEEP THIS SHEET *****

In the unlikely event that you would need a replacement part for your furniture, please contact your local authorized Schnadig International dealer. If you need replacement hardware quickly, it could be purchased from your local hardware store.

<u>CLA-016-083</u>		
SILVER AND GOLD		
Part Description	Part No.	QTY
Adjustable Floor Glide	CLA-016-083-003	4