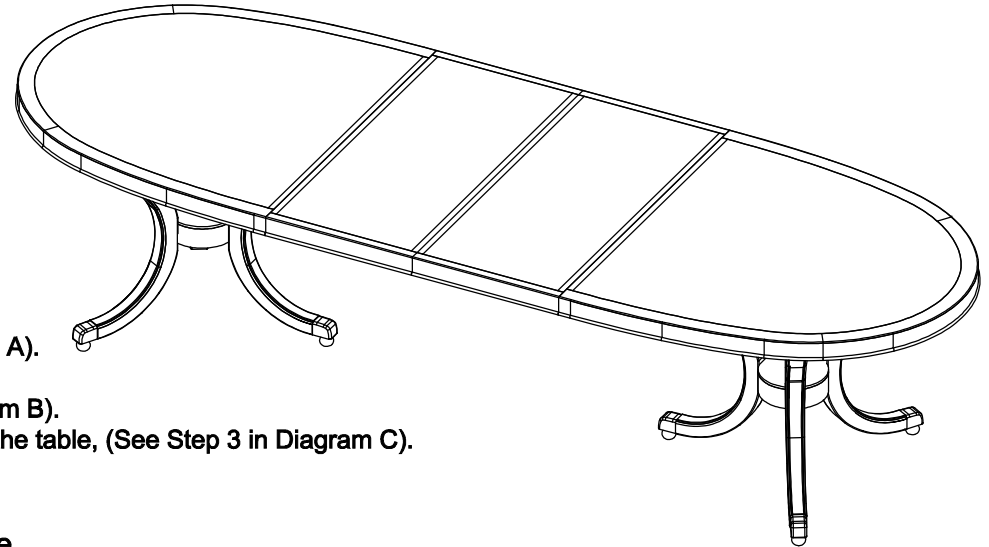


CLA-015-206 CARACOLE CLASSIC

ASSEMBLY INSTRUCTIONS

FOUR(4)PEOPLE AND PHILLIP SCREWDRIVER REQUIRED






- 1) Turn the top upside down on a soft clean surface.
- 2) Secure legs to the top using the Flat Washer (A), Lock Washer (B) and Bolt (D). Tighten the bolts with the Wrench (E) until the foot is fully assembled. (See Step 1 in Diagram A).
- 3) Secure wood ring to legs using the Flat Washer (A), lock washers (B) and Bolt (C). Tighten the bolts with the wrench (E) until wood ring is fully assembled. (See Step 2 in Diagram B).
- 4) Using TWO people carefully return the table to the right position. Then place the leaves in the table, (See Step 3 in Diagram C).



***** NOTE KEEP THIS SHEET *****

In the unlikely event that you would need a replacement part for your furniture, please contact your local authorized Schnadig International dealer. If you need replacement hardware quickly, it could be purchased from your local hardware store.

		CLA-015-206	
		DRAW ATTENTION	
	Part Description	Part No.	QTY
A	Top	CLA-015-206-40123	1
B	Legs	CLA-015-206-4018	6
C	Wood Ring	CLA-015-206-4051	2
D	Leaf	CLA-015-206-4060	2

RTA Hardware			
NO.	Hardware List		Q'ty
A		Flat Washer	24
B		Lock Washer	24
C		Bolt 5/16(in)x44(mm)	12
D		Bolt 5/16(in)x58(mm)	12
E		Wrench 5/16	1

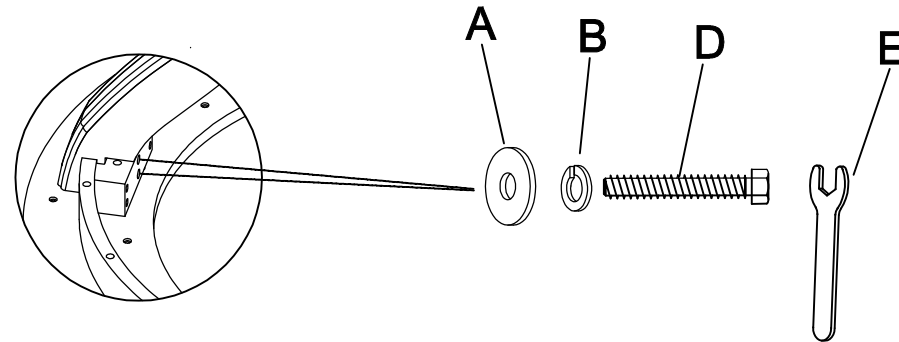
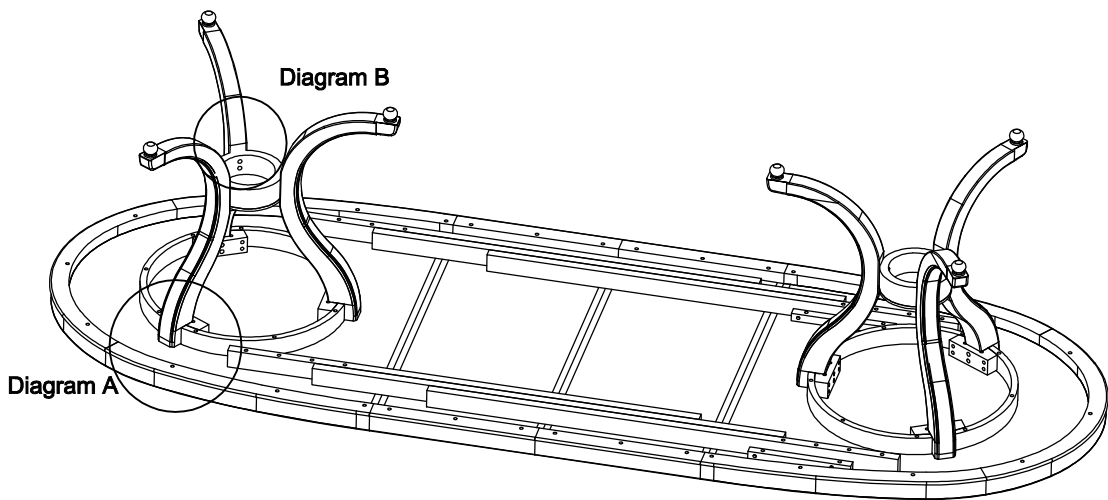
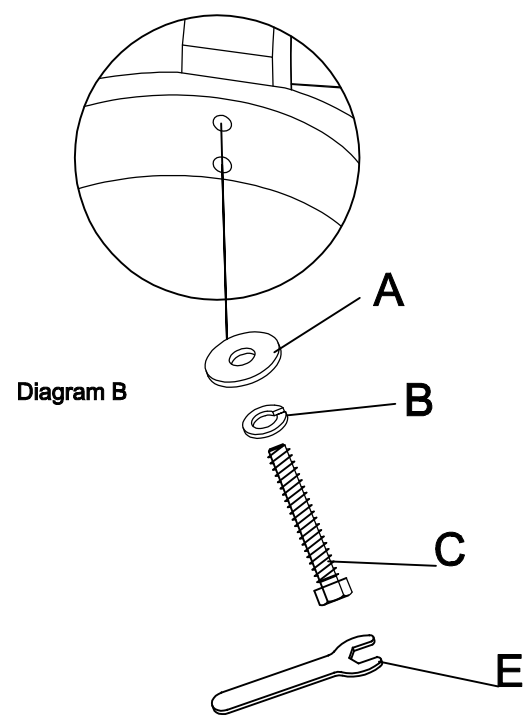


Diagram A

Diagram B



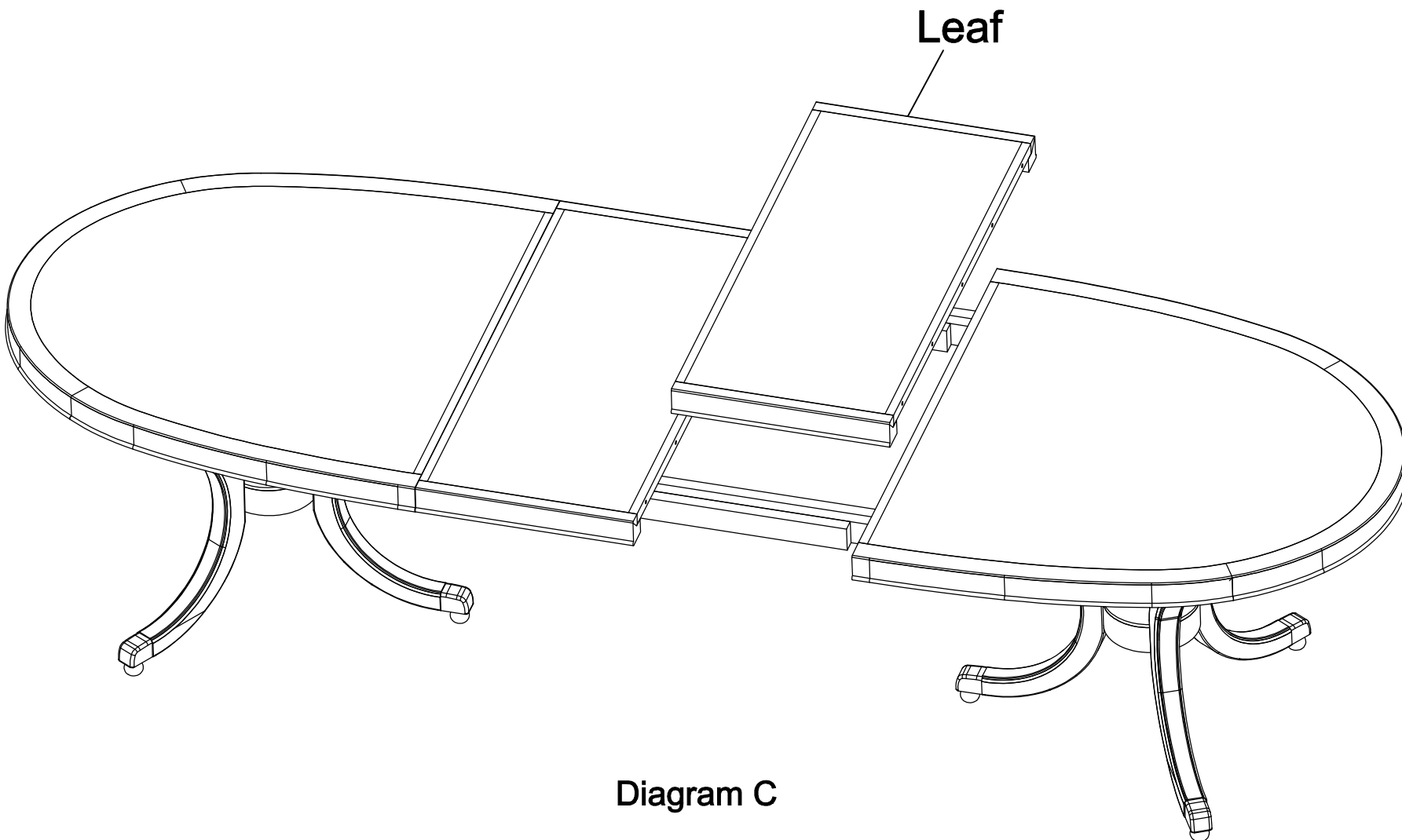


Diagram C