

C063-419-102-122H / F / R - 142R QUEEN / KING / CAL KING BED

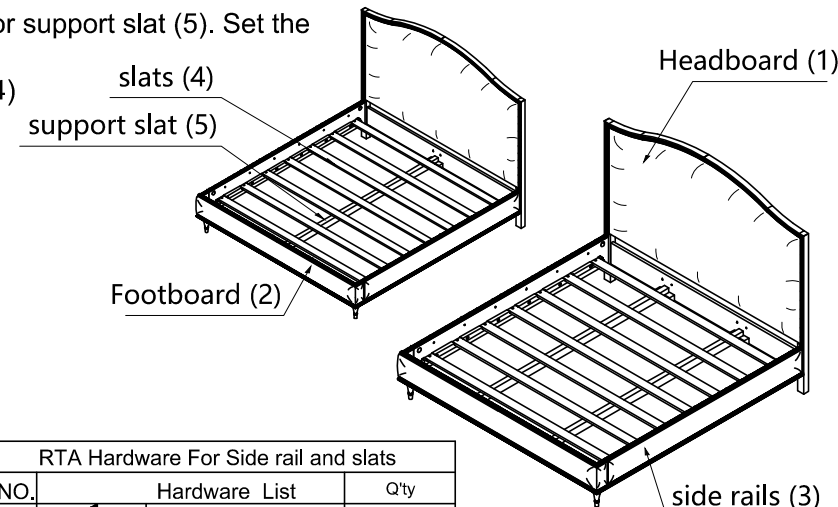
CARACOLE COMPOSITIONS

ASSEMBLY INSTRUCTIONS

TWO (2) PEOPLE AND SCREWDRIVER REQUIRED

PLEASE UNPACK ALL PARTS AND CHECK AGAINST PARTS LIST ON THIS INSTRUCTION SHEET BEFORE DISCARDING PACKING AND CARTON!!!



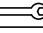

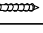
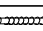


- 1) Apply the felt pad (H) to the bottom of the legs as shown in Diagram A.
- 2) Connect the side rails (3) and headboard (1)/ footboard (2) by bolt (E) , using the curved washer (A), lock washer (B), and nut (C) tighten with wrench provided (D), as shown in Diagram B . (On inside face of Headboard and Side rails notice A and B , need assembly correct position A-A , B-B)
- 3) We can take out or assemble the adjustable wooden brackets on HB,FB and the adjustable rail on side rail (3) for suitable for use purpose ,through the lower holes and the upper holes by Allen Key provided (F), as shown in Diagram C1,C2. (Note: need to use more the long screws (I) to fixed the adjustable rail through 2 holes at the end of the adjustable rail and unscrew it when need move up or move down .in diagram C2)
- 4) On inside face of both Headboard (1) and foodboard (2) are pre-installed wooden brackets for support slat (5). Set the support slat (5) on the wooden brackets, as shown in Diagram D.
- 5) On inside face of both side rails (3) are cavities designed to hold the slats (4). Set the slats (4) on both sides of the side rails (3) using short screws (G) tighten by the screwdriver (not included), as shown in Diagram E.
- 6) For the slats of cal king bed only , the slats should be rotate at tilt position to easy install, as shown in Diagram F.



*** NOTE KEEP THIS SHEET!!! ***

In the unlikely event that you would need a replacement part for your furniture, please contact your local authorized Schnadig International dealer. If you need replacement hardware quickly, it could be purchased from your local hardware store.

Part Description	C063-419-102		C063-419-122		C063-419-142	
	QN BED		KG BED		CK BED	
Part No.	QTY	Part No.	QTY	Part No.	QTY	
1 Headboard	C063-419-102-H	1 (pc)	C063-419-122-H	1 (pc)	C063-419-122-H	1 (pc)
2 Footboard	C063-419-102-F	1 (pc)	C063-419-122-F	1 (pc)	C063-419-122-F	1 (pc)
3 Side rail	C063-419-102-R	2 (pcs)	C063-419-122-R	2 (pcs)	C063-419-142-R	2 (pcs)
4 Slats	C063-419-102-3017	7 (pcs)	C063-419-122-3017	7 (pcs)	C063-419-142-3017	7 (pcs)
5 Support slats	C063-419-102-3018	1 (pc)	C063-419-102-3018	2 (pcs)	C063-419-142-3018	2 (pcs)
6 RTA hardware	C063-419-102-3001	1 (pc)	C063-419-102-3001	1 (pc)	C063-419-102-3001	1 (pc)

RTA Hardware For Side rail and slats		
NO.	Hardware List	Q'ty
A	 Curved Washer	8 (pcs)
B	 Lock Washer	8 (pcs)
C	 Nut	8 (pcs)
D	 Wrench	1 (pc)
E	 Bolt	8 (pcs)
F	 Allen Key	1 (pc)
G	 Screws(#8x28mm)	14 (pcs)
H	 Felt Pad	4 (pcs)
I	Screws(#8x38mm)	8 (pcs)

Step 1.

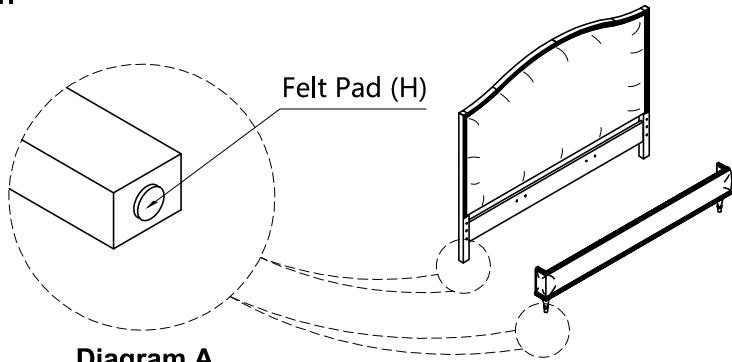
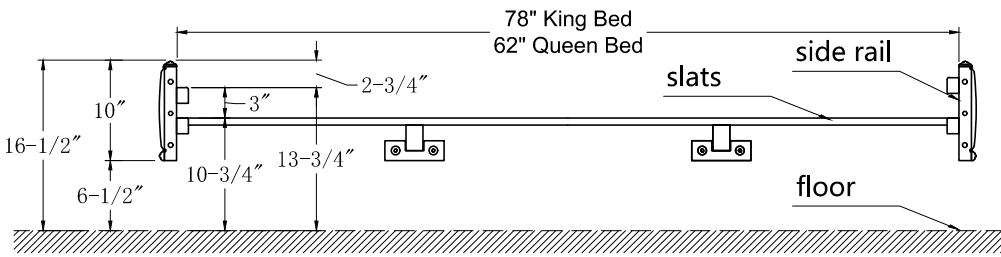


Diagram A



Step 2.

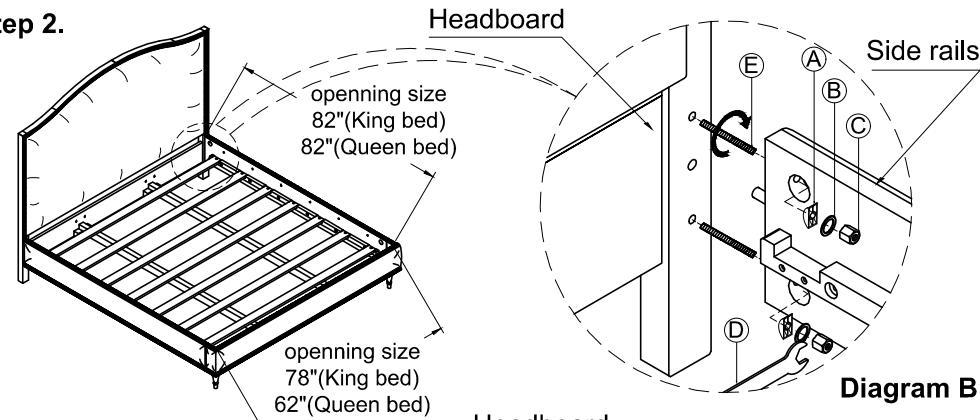
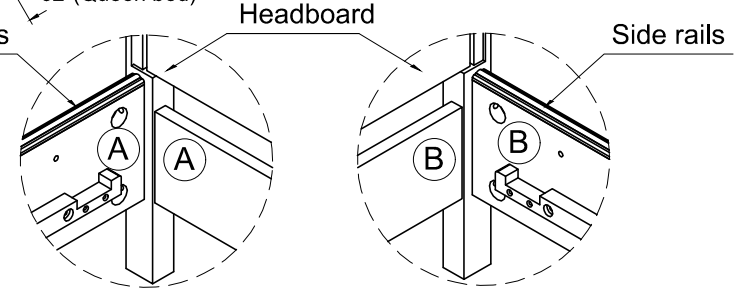


Diagram B

On inside face of Headboard and Side rails notice A and B, need assembly correct position A-A, B-B as shown



Step 3.

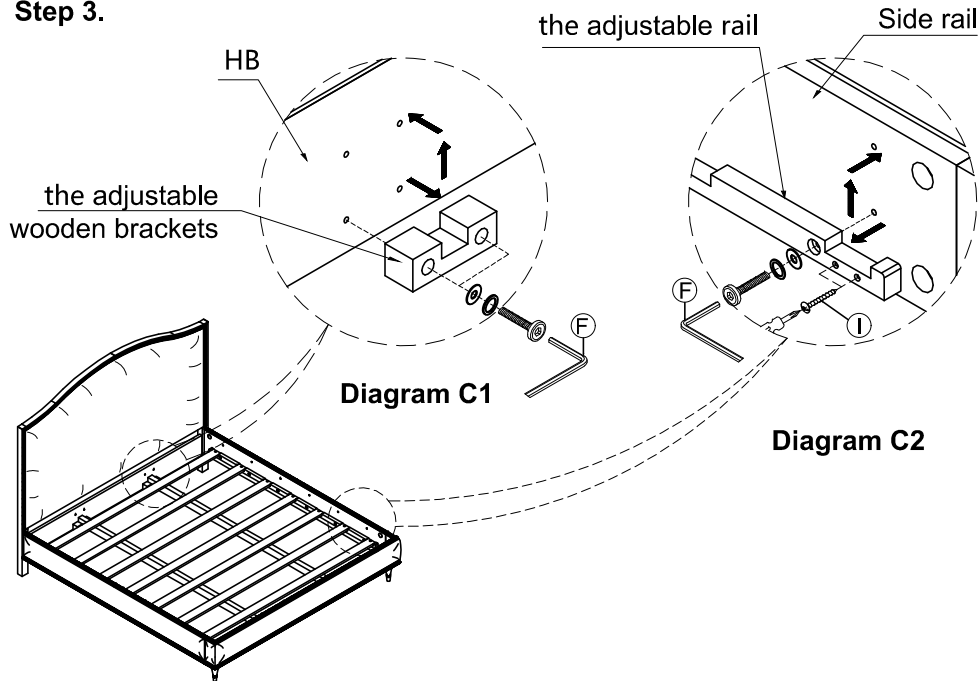


Diagram C1

Diagram C2

Step 4.

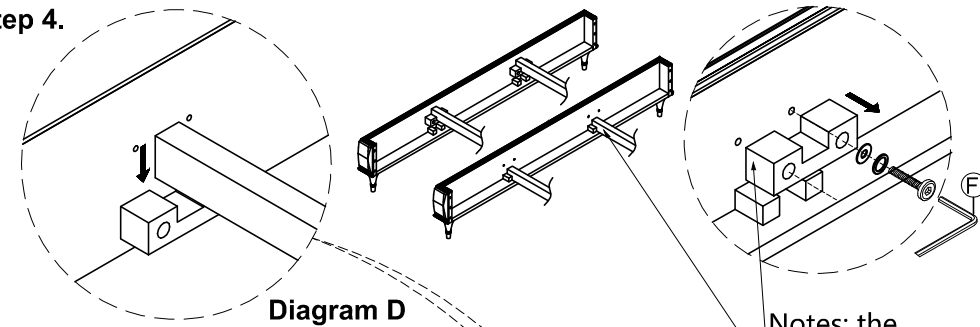


Diagram D

Step 5.

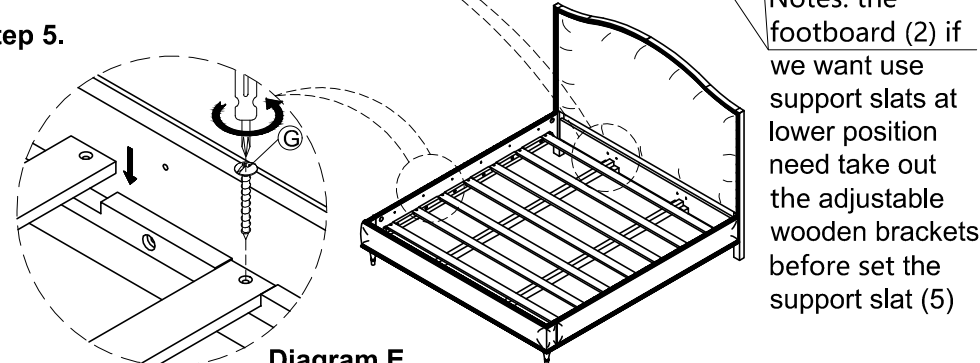


Diagram E

Notes: the footboard (2) if we want use support slats at lower position need take out the adjustable wooden brackets before set the support slat (5)

Step 6.

Cal King bed : the slats should be rotate at tilt position to easy install

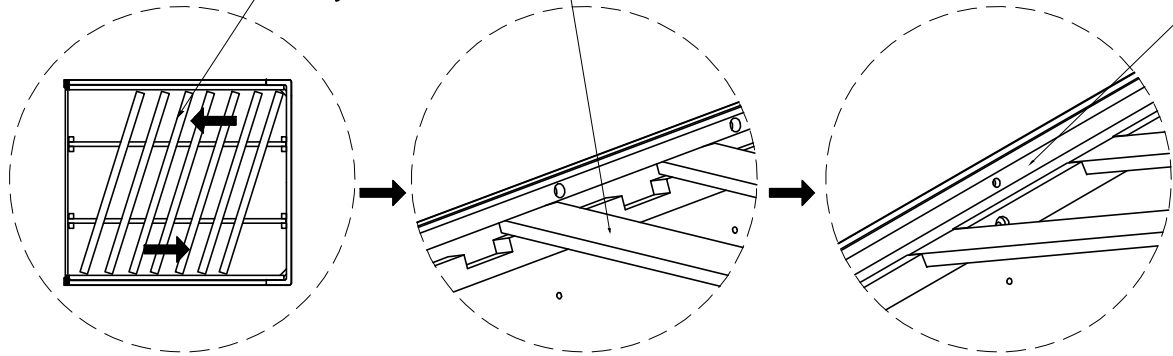
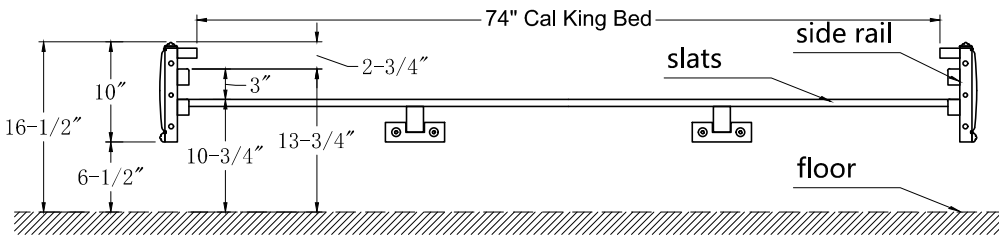
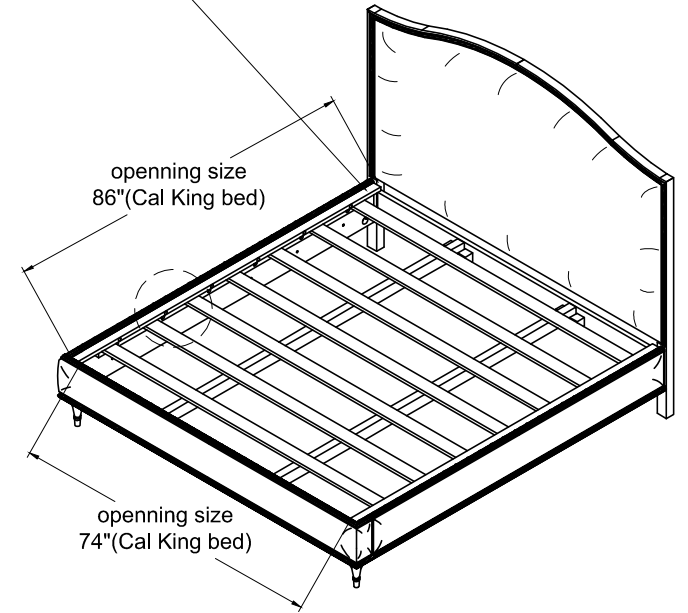
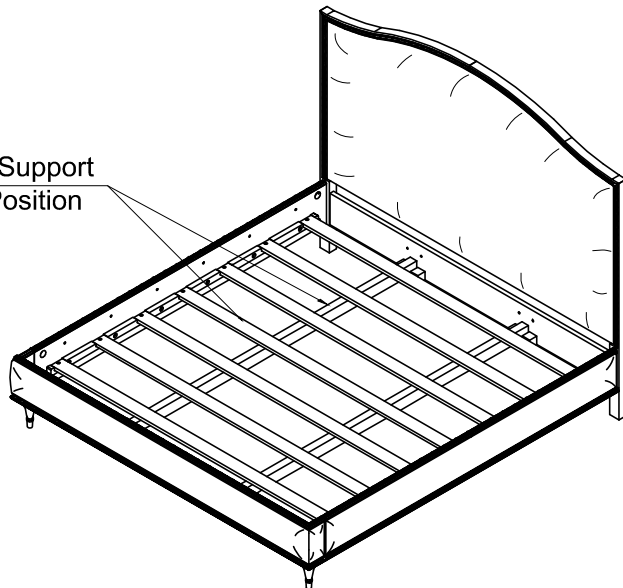


Diagram F

the cap rail on cal-king bed



The Slats And Support Slat In Lower Position



The Slats And Support Slat In Upper Position

