

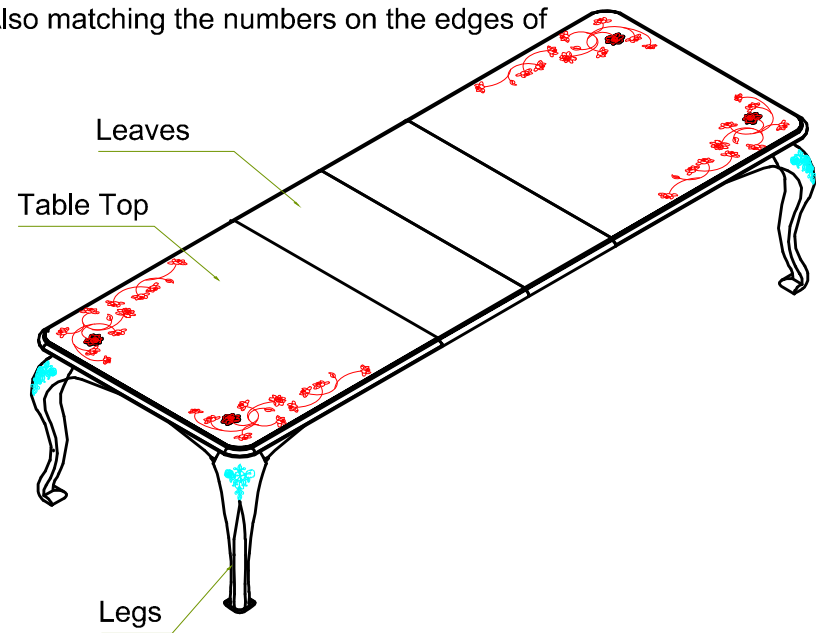
C062-419-201 DINING TABLE FONTAINEBLEAU

ASSEMBLY INSTRUCTIONS

TWO (2) PEOPLE REQUIRED

PLEASE UNPACK ALL PARTS AND CHECK AGAINST PARTS LIST ON THIS INSTRUCTION SHEET BEFORE DISCARDING PACKING AND CARTON!!




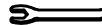
- 1) Turn the table top face down on a smooth, cleaning surface. Attach the leg to the table top using flat washers (C), lock washers (B) and bolts (A) tighten by wrench provided (D) as shown in (Diagram A). Please make sure the right leg will go with the right Corner Block(see the labels on legs and corner blocks).
- 2) Using two people carefully return the table to the upright position. Loosen the locking device underneath the table top (A) and pull both ends to open . Then place the leaves in the middle of the open table but note that set the metal dowels are aligned holes, in between the leaves and table top as shown in (Diagram B). Also matching the numbers on the edges of leaves and table top inner edges (Diagram C).
- 3) Push both ends of the table to close and fasten the locking device underneath.



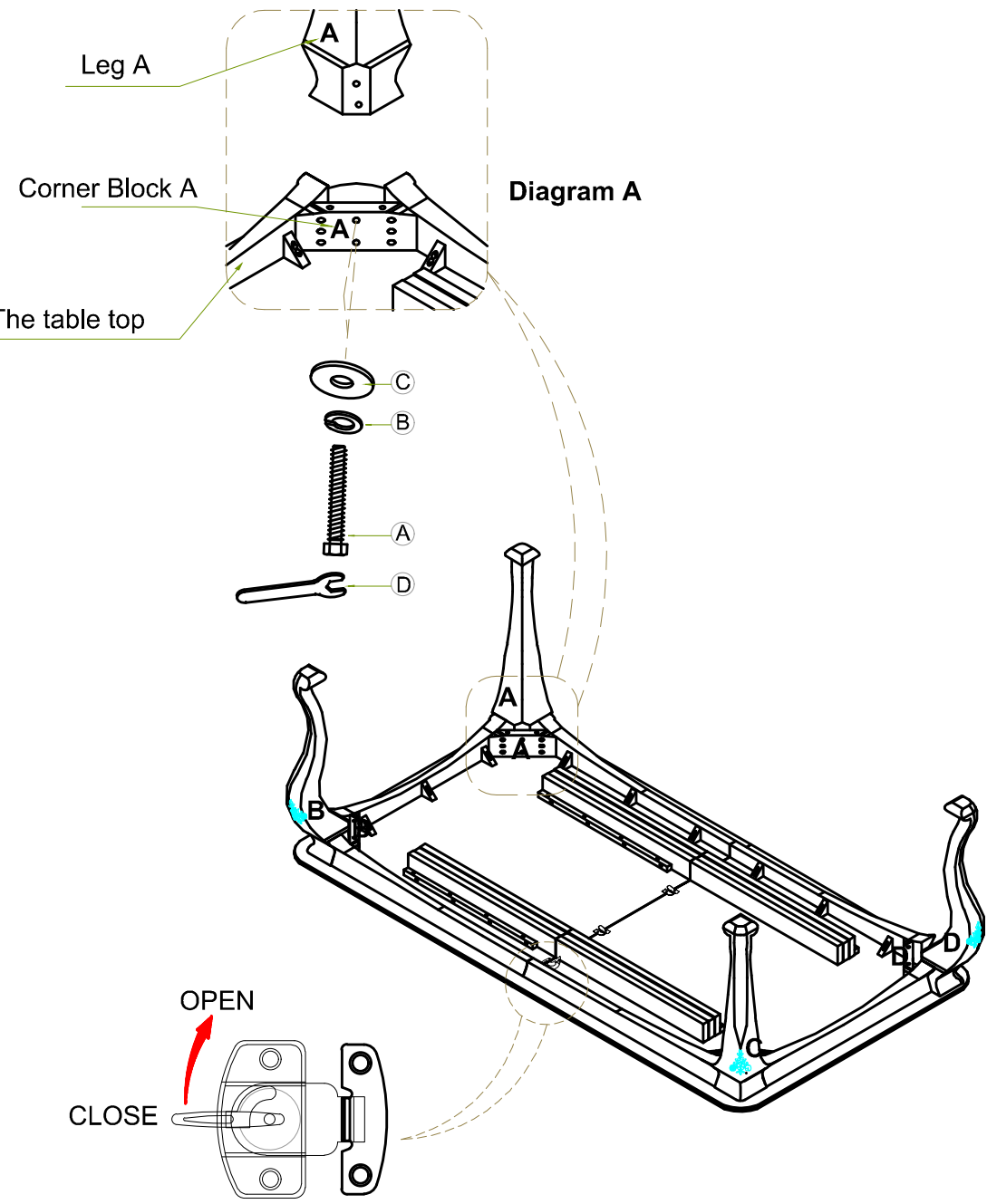
*** NOTE KEEP THIS SHEET!!! ***

In the unlikely event that you would need a replacement part for your furniture, please contact your local authorized Schnadig International dealer. If you need replacement hardware quickly, it could be purchased from your local hardware store.

Part Description	Part No.	QTY
1 Legs	C062-419-201-5015	4 (pcs)
2 RTA Hardware	C062-419-201-5001	1 (pc)
3 Plastic glide	C062-419-201-5003	4 (pcs)

NO.	RTA Hardware		Q'ty
A		Bolt 5/16"x 3"L	8
B		Lock Washer	8
C		Flat Washer	8
D		Wrench	1

Step 1.



Step 2.

