

# C061-419-042 MIRROR FONTAINEBLEAU

## ASSEMBLY INSTRUCTIONS

TWO (2) PEOPLE REQUIRED

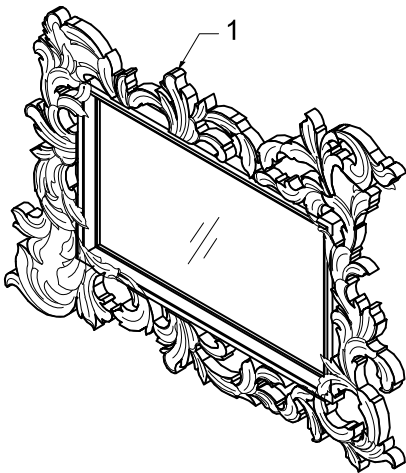
PLEASE UNPACK ALL PARTS AND CHECK AGAINST PARTS LIST ON THIS INSTRUCTION SHEET BEFORE DISCARDING PACKING AND CARTON !


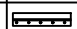
## IMPORTANT SAFETY INSTRUCTIONS


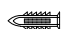

1. Professional installation is recommended. Serious injury or death can occur if mirror is not hung correctly .  
Do not use wire to hang the mirror . Please follow correct hanging methods for your wall type . Your safety is dependent on the construction and strength of the wall to which it is attached
2. Be sure your wall can tolerate a fixture weight 45lbs .
3. Check mirror periodically to see that no fittings have loosened and need attention .
4. For your safety , assembly by two or more adults is strongly recommended .

\*\*\* NOTE KEEP THIS SHEET!!! \*\*\*

In the unlikely event that you would need a replacement part for your furniture, please contact your local authorized Schnadig International dealer. If you need replacement hardware quickly, it could be purchased from your local hardware store.

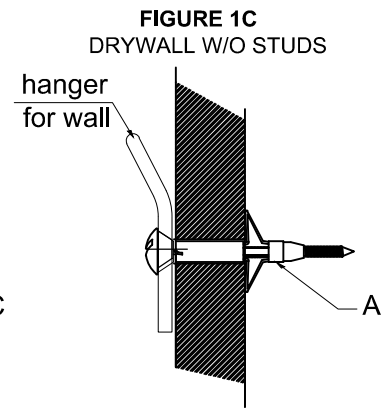
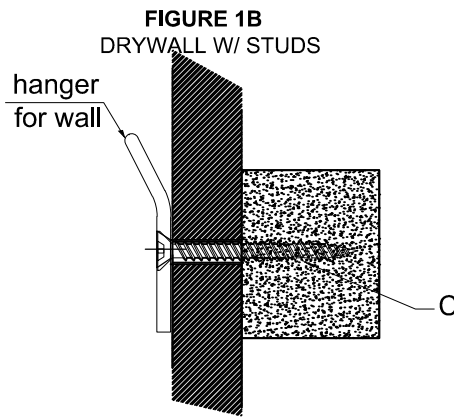
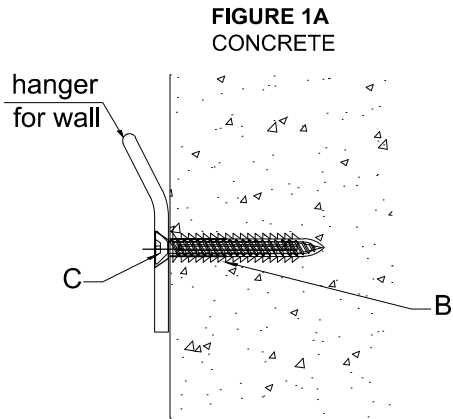


Part Description		Part No.	QTY
1	long hanger for wall 	C061-419-042-30018	1 (pc)
2	short hanger for wall 	C061-419-042-30019	2 (pc)
3	RTA hardware	C061-419-042-3001	1 (pc)

RTA hardware			
NO.	Drawing	Description	Q'ty
A		Hollow Wall Anchor (L=60Mmm)	11 (pcs)
B		Plastic Anchor (Ø14x47mm)	11 (pcs)
C		Screw (Ø8x38mm)	11 (pcs)

## ASSEMBLY INSTRUCTIONS BY WALL TYPE

- CONCRETE : Drill pilot hole on each marking , and then insert plastic anchor . Use a screwdriver to attach the bracket to the wall with screws . See FIGURE 1A .
- DRYWALL WITH STUDS : Use screws to affix to studs , and use hollow wall anchors and screws to affix to drywall. See FIGURE 1B .
- DRYWALL WITHOUT STUDS : Use hollow wall anchors and screws to affix to drywall . See FIGURE 1C .



## ASSEMBLY INSTRUCTIONS

1. Preset the mirror on your desired location , and mark the location with a light pencil mark . Use tape or pencil to transcribe the location of the back of the mirror's pre-installed bracket to the wall . Below this marking is where you will install the included metal wall-mount bracket . See FIGURE 2 .
2. Hold the bracket against the wall and mark with pencil the location of the bracket screw holes , ensuring levelness . See FIGURE 2 .
3. Drill a hole on each mark , and then tap anchor into hole until flush with surface . See "ASSEMBLY INSTRUCTIONS BY WALL TYPE" for mounting instruction based on your wall type : concrete , drywall , or drywall and studs .
4. Tighten the screws into the anchors while maintaining constant pressure on the anchor to set . Remove screws . Hold metal bracket over the inserted anchors , and reinstall screws through the wall bracket holes , and tighten until snug against wall . See FIGURE 1 .
5. Install the mirror on the wall bracket as illustrated in FIGURE 3 .

