

# ANDREW MARTIN



## Hicks

Pendant Light, Bronze and Hand-Rubbed Antique Brass

A ball pendant light, crafted by iconic designer Thomas O'Brien, featuring the top half in bronze with hand-rubbed antique brass fixings and the bottom half in contrasting white glass. Bold and modern, Hicks hangs as a cool statement light giving an industrial edge to a kitchen, dining room or hallway.

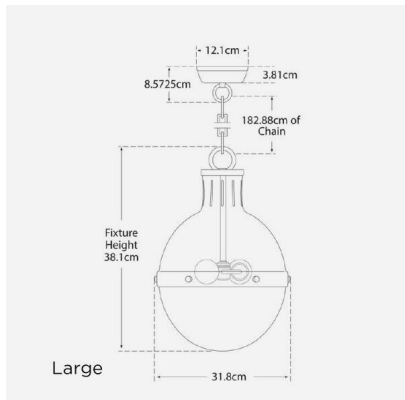
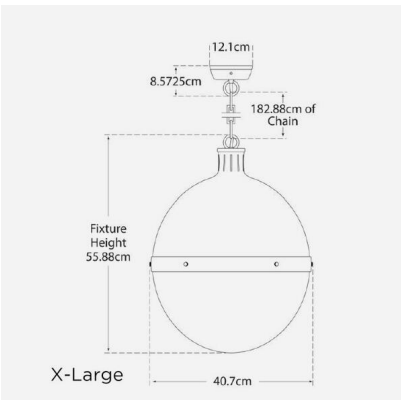
### Extra Large Specification

Product Code:	LMP0661
Product Height:	55.9 (cm)
Product Weight:	11 (kg)
Product Diameter:	40.7 (cm)
Recommended Bulb	E27
Type:	
Collection:	Signature
Assembly:	Assistance From A Qualified Electrician To Install Is Recommended.
IP Rating:	IP20
Packed Weight:	12.5 (kg)
Boxed Dimensions:	92 x 52 x 72 - 15kg
EU Commodity	94051990
Code:	



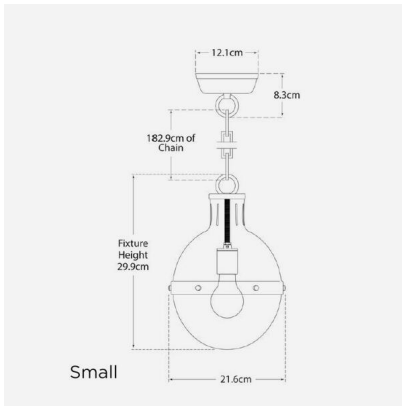
### Small Specification

Product Code:	LMP0653
Product Height:	29.9 (cm)
Product Diameter:	21.6 (cm)
Recommended Bulb	E27
Type:	
Collection:	Signature
Assembly:	Assistance From A Qualified Electrician To Install Is Recommended.
IP Rating:	IP20
Packed Weight:	5 (kg)
EU Commodity	94051990
Code:	



### Large Specification

Product Code:	LMP0657
Product Height:	38.1 (cm)
Product Weight:	6 (kg)



Product Diameter: 31.8 (cm)

Recommended Bulb E27

Type:

Collection: Signature

Assembly: Assistance From A Qualified Electrician  
To Install Is Recommended.

IP Rating: IP20

Packed Weight: 7.5 (kg)

EU Commodity 94051990

Code: