

ANDREW MARTIN

Agnes

Pendant Light, Gild/White

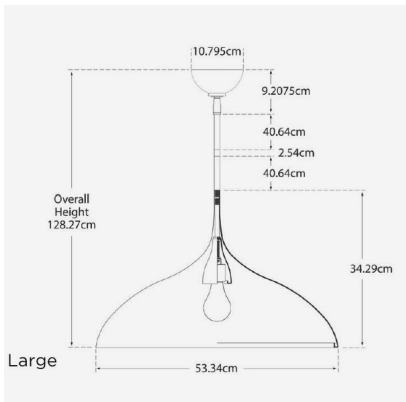
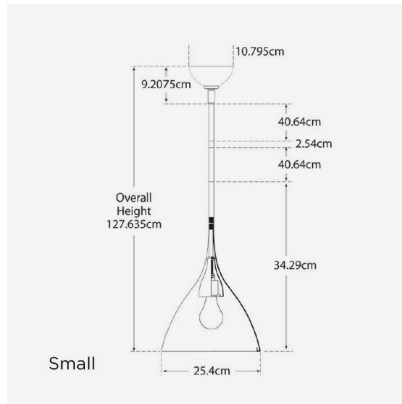
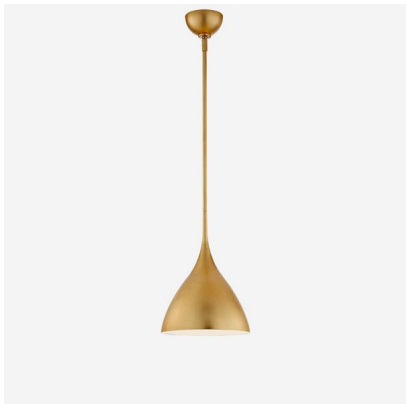
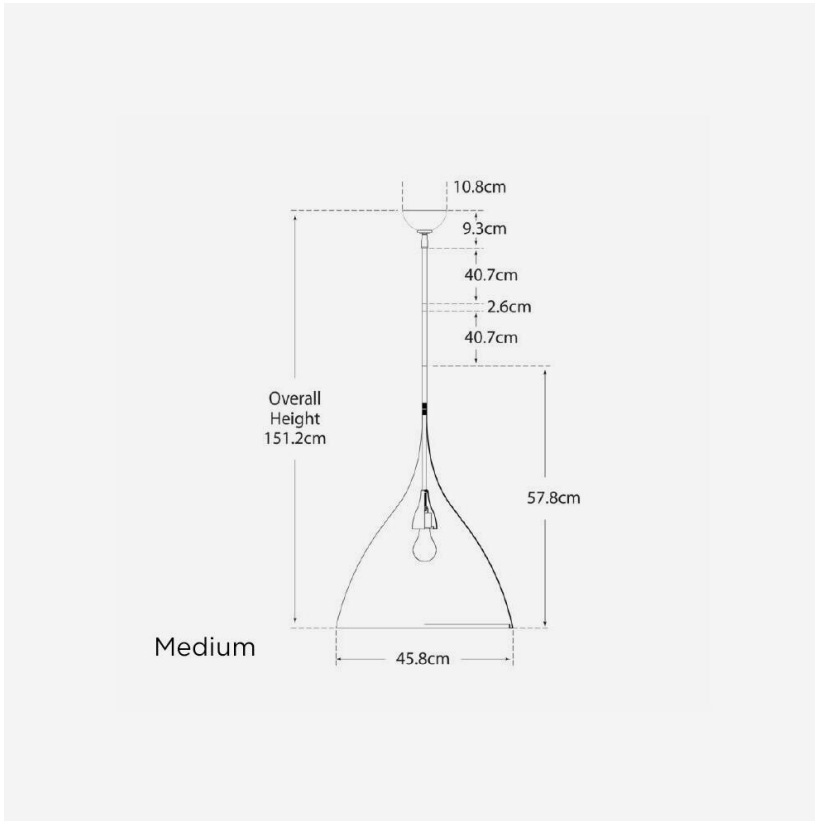
A sleek and contemporary ceiling light in gild with a white interior. Designed by iconic designer AERIN, Agnes has satisfyingly curved lines with a nod to mid-century style and a refined modern finish. Available in three varying sizes.

Small Specification

Product Code:	LMP0433
Product Height:	34.3 (cm)
Product	25.4 (cm)
Diameter:	
Bulb Included:	No
Recommended	E27
Bulb Type:	
Collection:	Signature
Assembly:	Assistance From A Qualified Electrician To Install Is Recommended.
IP Rating:	IP20
Packed Weight:	4 (kg)
EU Commodity	94051990
Code:	
US Commodity	9405109190
Code:	

Medium Specification

Product Code:	LMP0437
Product Height:	57.8 (cm)
Product	45.8 (cm)
Diameter:	
Bulb Included:	No
Recommended	E27
Bulb Type:	
Collection:	Signature
Assembly:	Assistance From A Qualified Electrician To Install Is Recommended.
IP Rating:	IP20
Packed Weight:	6.5 (kg)
EU Commodity	94051990
Code:	
US Commodity	9405109190
Code:	



Large Specification

Product Code: LMP0441
Product Height: 34.3 (cm)
Product Diameter: 53.3 (cm)
Diameter:
Bulb Included: No
Recommended Bulb Type: E27
Collection: Signature
Assembly: Assistance From A Qualified Electrician To Install Is Recommended.
IP Rating: IP20
Packed Weight: 5.5 (kg)
EU Commodity Code: 94051990
US Commodity Code: 9405109190