

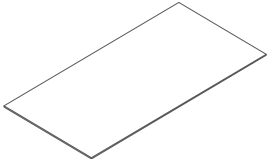
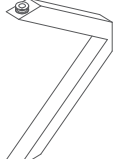
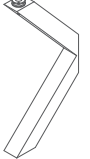
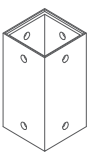
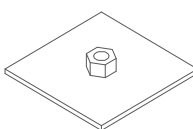
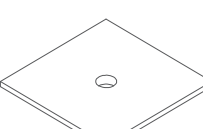


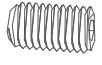







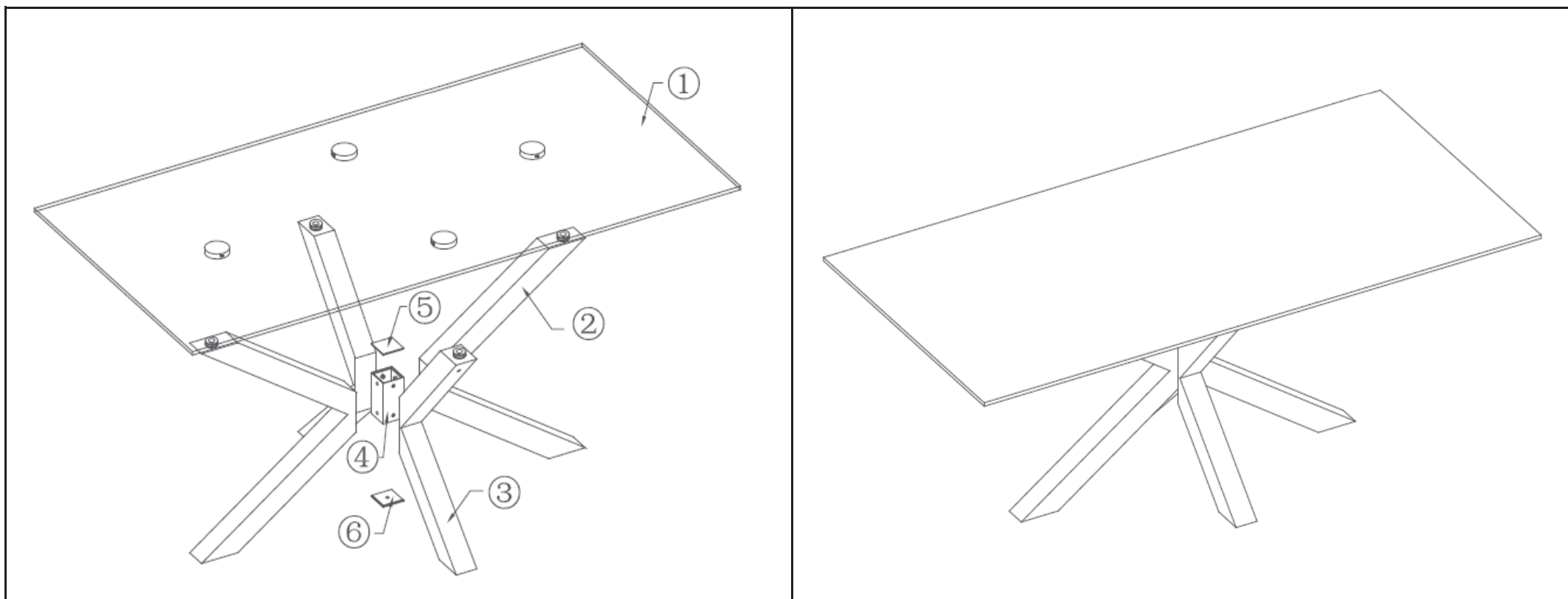


ARYA / ARGO



 x 2	 20 min	 ① = 1pc	 ② = 2pcs	 ③ = 2pcs	 ④ = 1pc	 ⑤ = 1pc	 ⑥ = 1pc
		 A = 1pc	 B = 8pcs	 C = 8pcs	 D = 1pc	 E = 4pcs	 F = 1pc
 x 2		 20 min					
 x 1		 20 min					



ARYA / ARGO



1

2

Don't Fully Tighten Up The Screws In this step.

3

4

Tighten Up the Screws With Allen Key

E=4pcs

B=8pcs

C=8pcs

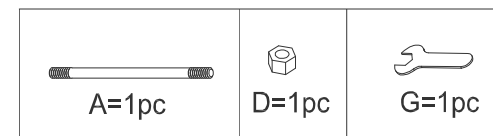
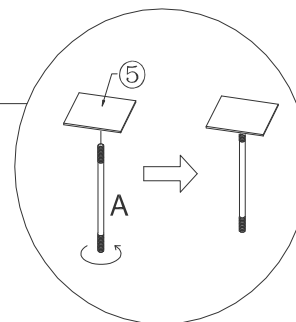
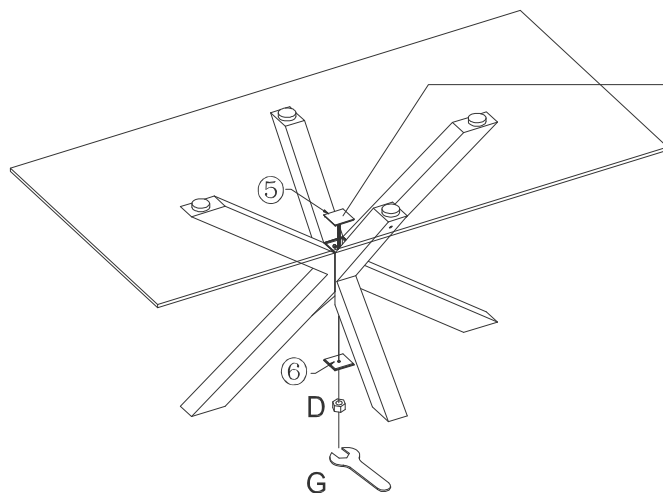
F=1pc

H=1pc

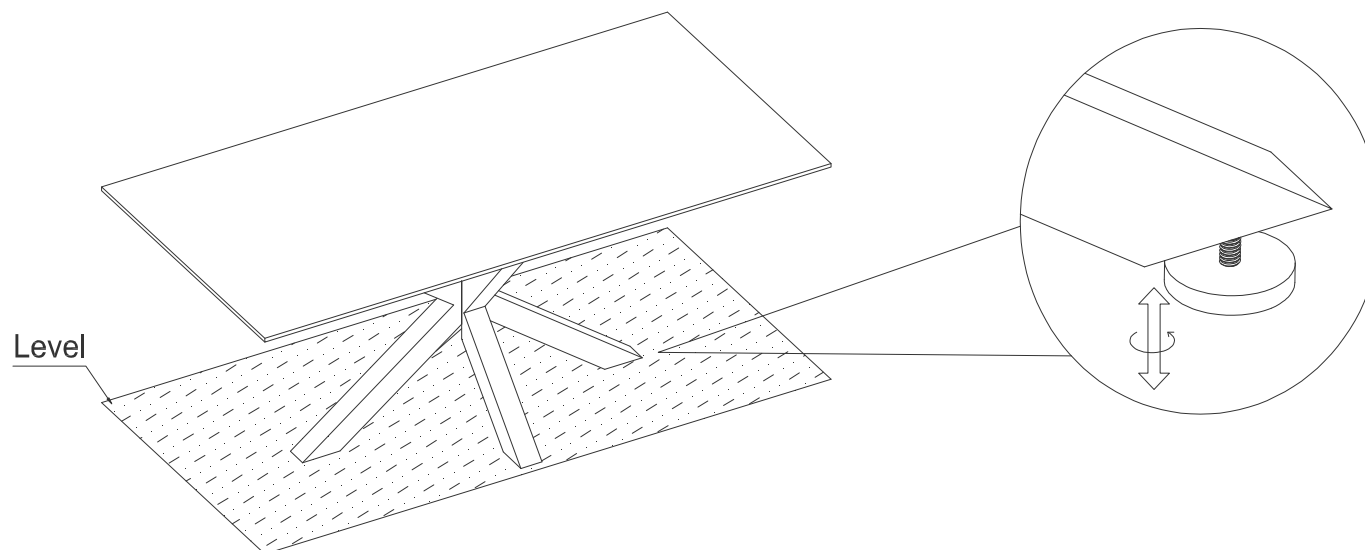
ARYA / ARGO



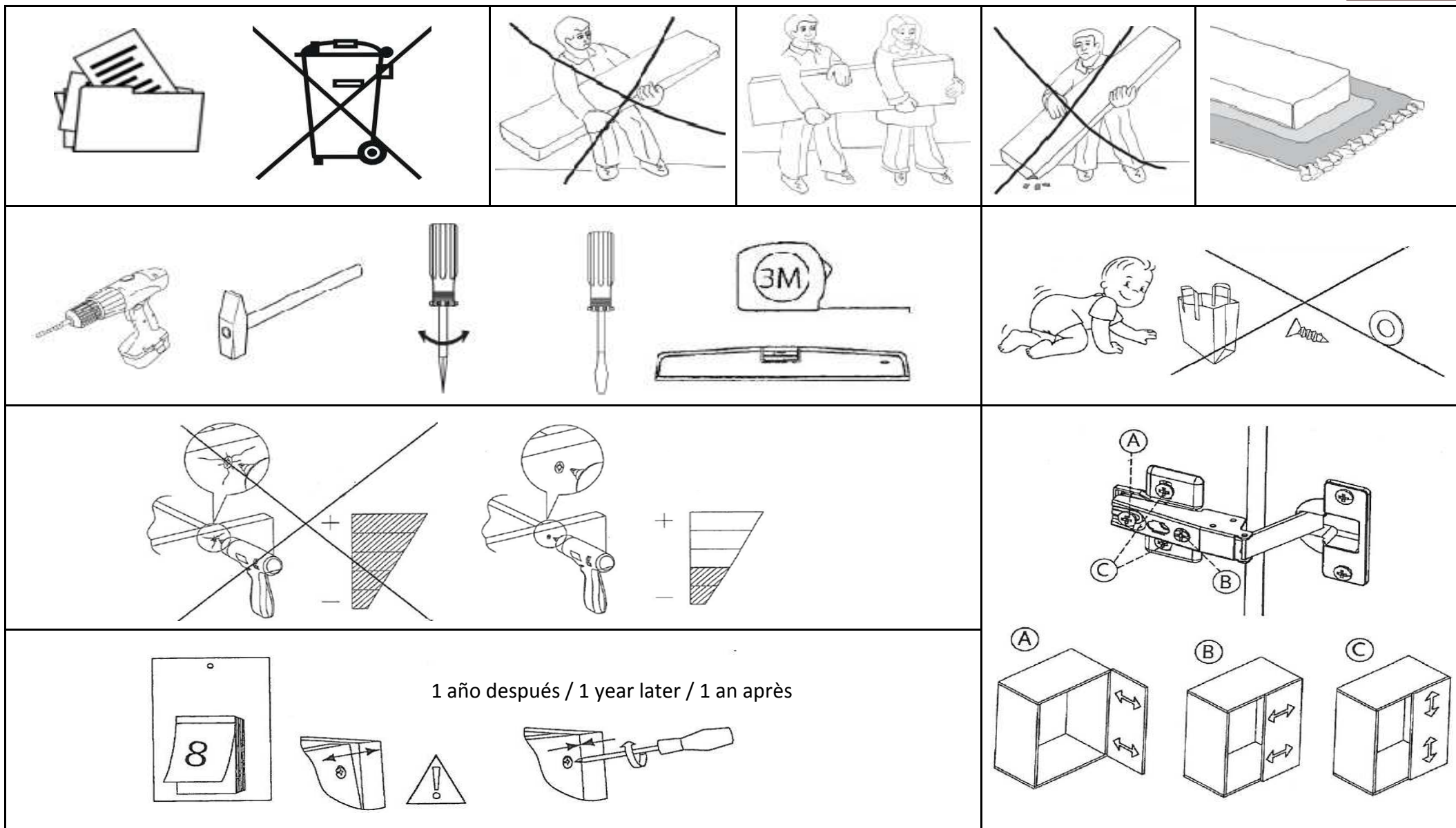
⑤



⑥



ARYA / ARGO



This product is property of Julia Grup Furniture Solutions S.L. (B-17616277) · Pol. Ind. Bosc d'en Cuca · C/Tallers, 14 · 17410 Sils · SPAIN

ARYA / ARGO

