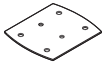
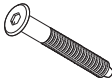

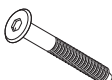
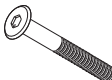
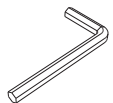
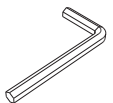



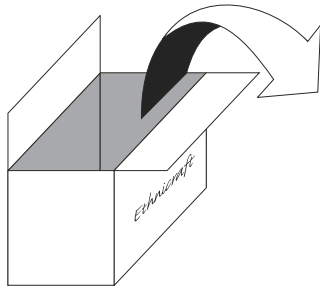
OAK GEOMETRIC DINING TABLE ASSEMBLY INSTRUCTIONS FOR DINING TABLE INSTALLATION

HARDWARE ENCLOSED

 METAL PLATE 4pcs	 SCREW M8x50mm 8pcs	 SCREW M8x16mm 16pcs
 SCREW M6x50mm 10pcs	 SCREW M6x60mm 4pcs	

TOOLS

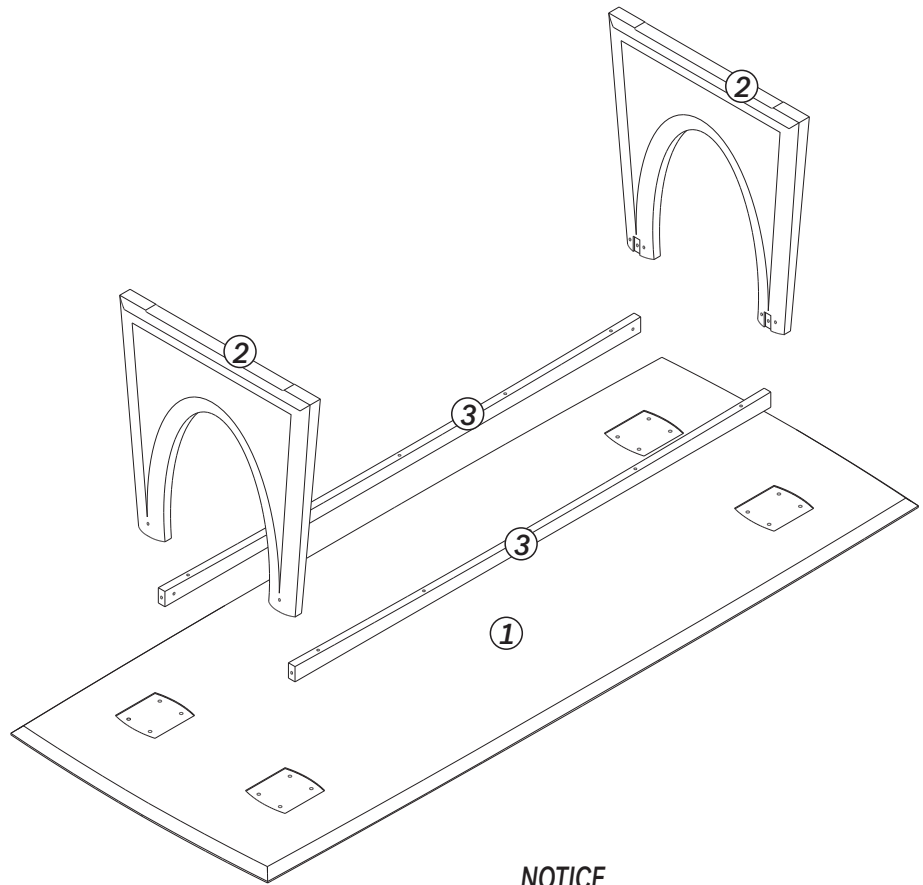
 L KEY 4 (Included in package)	 L KEY 5 (Included in package)
 SCREWDRIVER (Not included in package)	



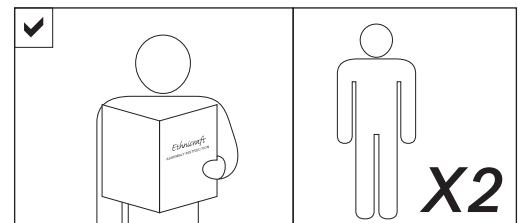
IN YOUR PACKAGE :
ASSEMBLY INSTRUCTIONS
HARDWARE (AS LISTED ABOVE)

PARTS TO BE INSTALLED

1. TABLE TOP 1pc
2. LEGS 2pcs
3. APRONS 2pcs



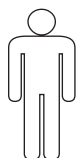
NOTICE



SYMBOLS



DIRECTION



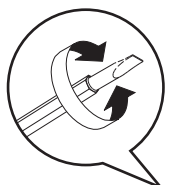
NUMBER OF
PERSONS NEEDED



USE HAND



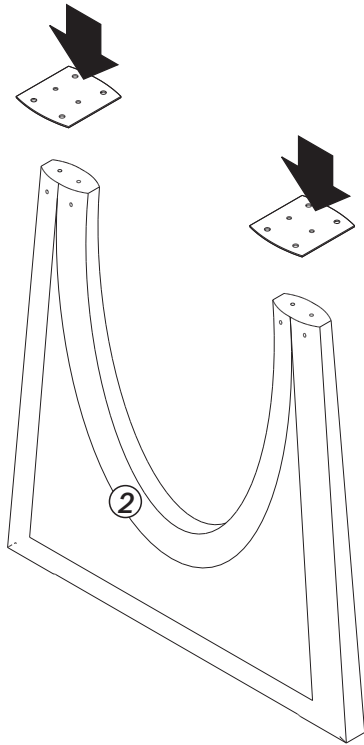
USE L KEY
TO TIGHTEN



USE SCREWDRIVER
TO TIGHTEN

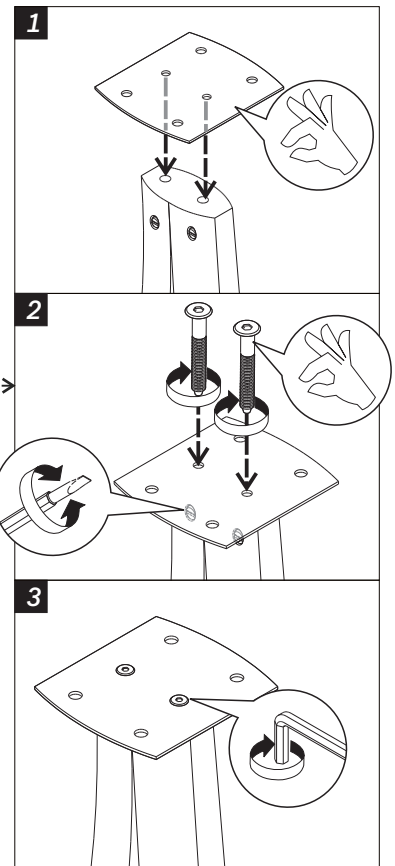
OAK GEOMETRIC DINING TABLE ASSEMBLY INSTRUCTIONS FOR DINING TABLE INSTALLATION

A. INSTALLING METAL PLATE TO THE LEGS

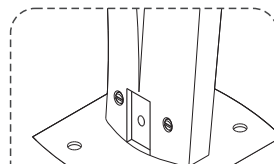
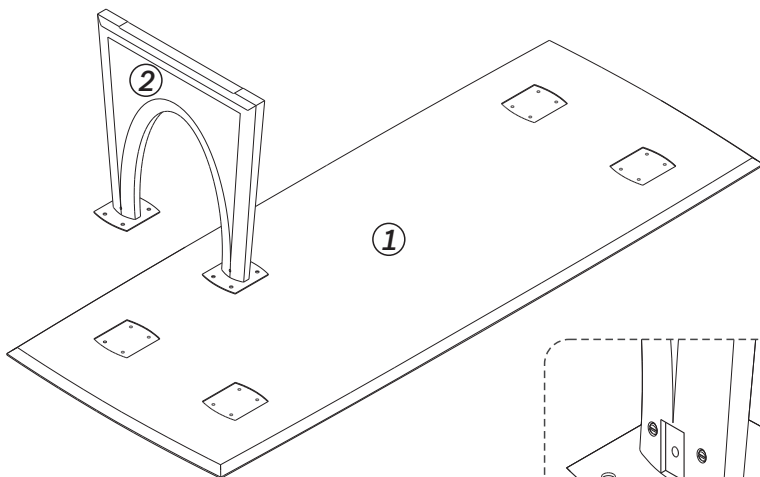


WITH SCREWDRIVER TO FIT SCREW INTO THE BARREL NUT

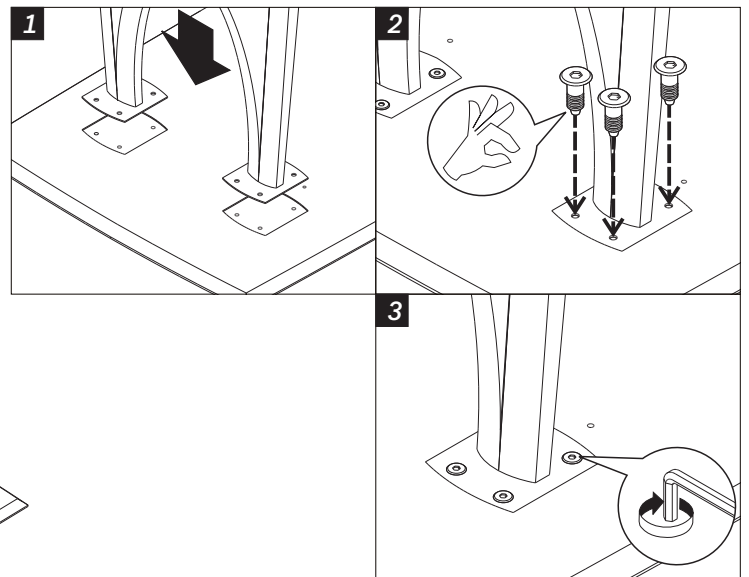
- ! - USE METAL PLATE (4X)
- USE SCREW M8x50mm (8X)
- USE L KEY 5 TO TIGHTEN
- TIGHTEN FULLY ALL SCREWS



B. INSTALLING LEG TO TABLE TOP



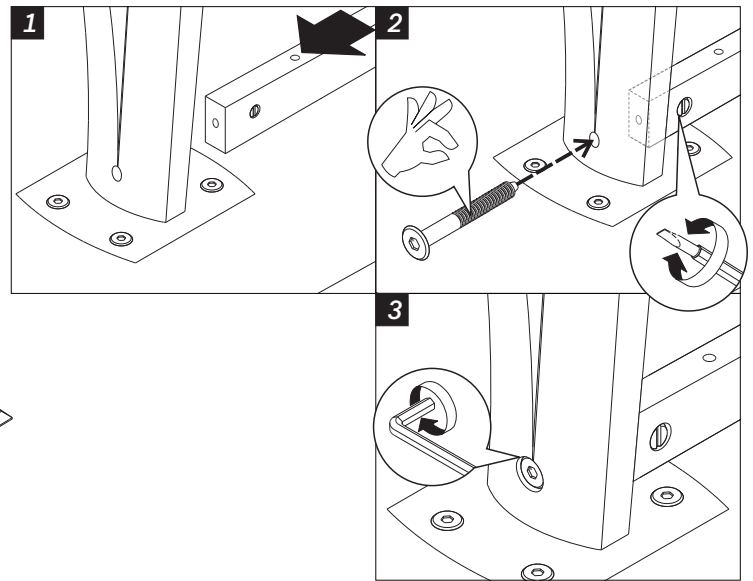
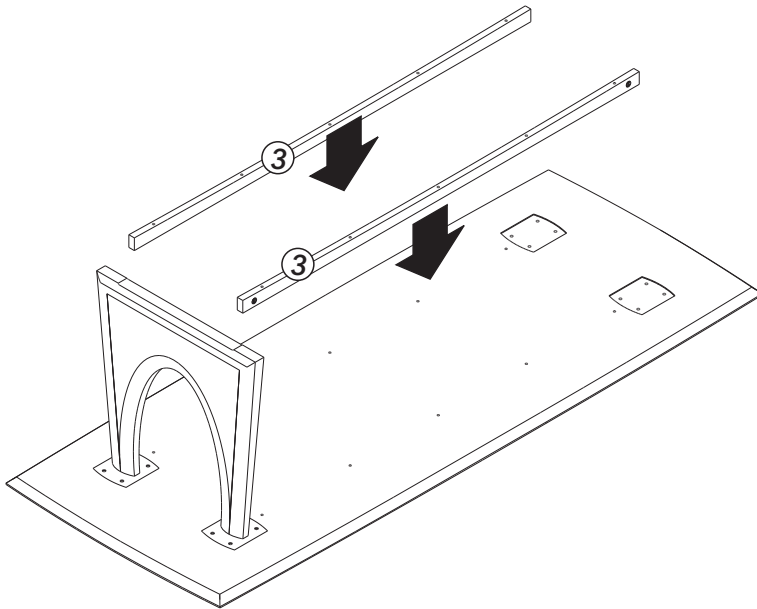
THE GROOVE OF THE LEGS
MUST BE FACING INWARD



- ! - USE SCREW M8x16mm (8X)
- USE L KEY 5 TO TIGHTEN
- DO NOT FULLY TIGHTEN

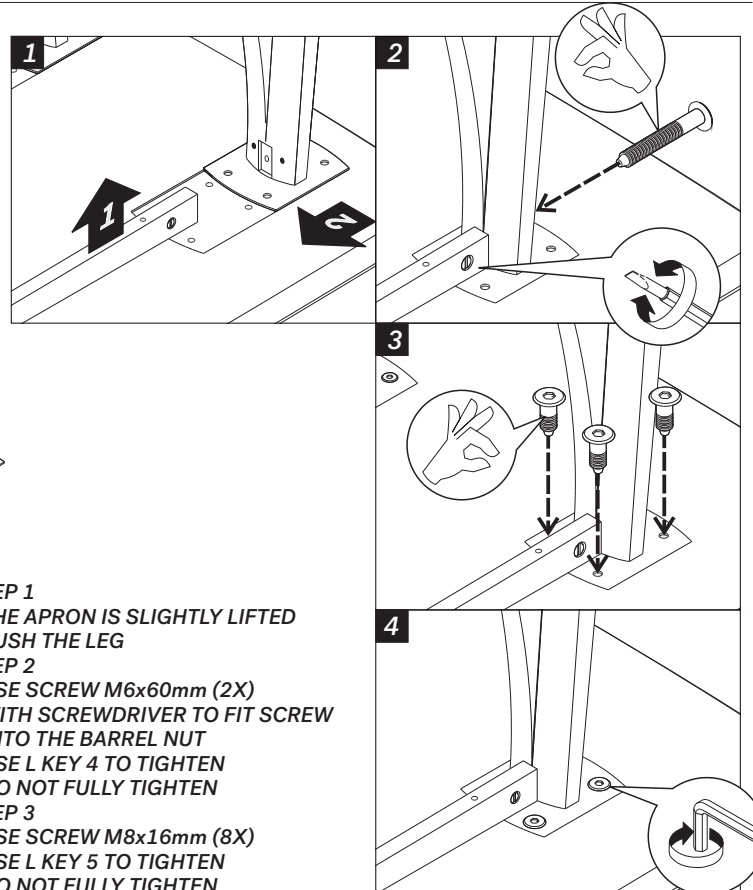
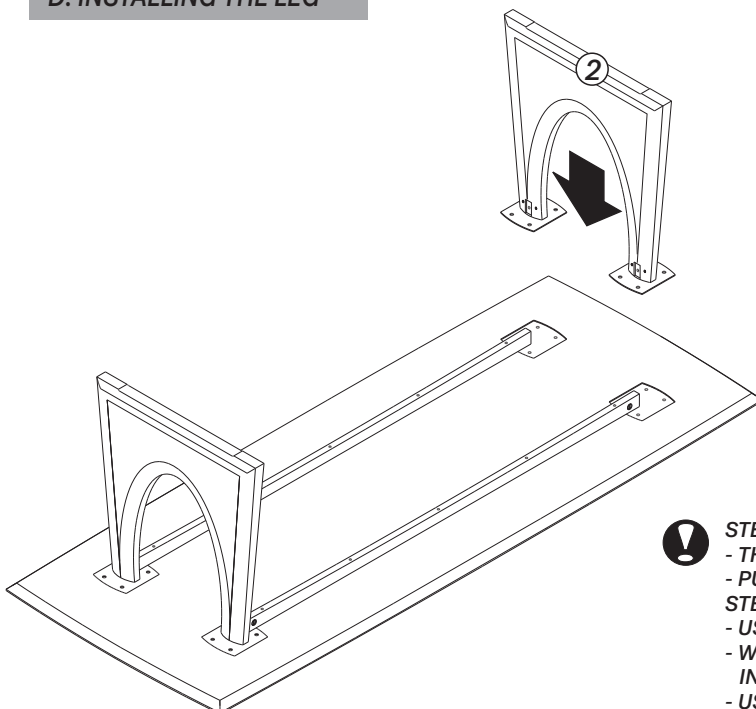
OAK GEOMETRIC DINING TABLE ASSEMBLY INSTRUCTIONS FOR DINING TABLE INSTALLATION

C. INSTALLING APRON TO THE LEG



- ! STEP 1**
- APRON HOLES FACING INWARD
- STEP 2**
- USE SCREW M6x60mm (2X)
- WITH SCREWDRIVER TO FIT SCREW INTO THE BARREL NUT
- USE L KEY 4 TO TIGHTEN
- DO NOT FULLY TIGHTEN

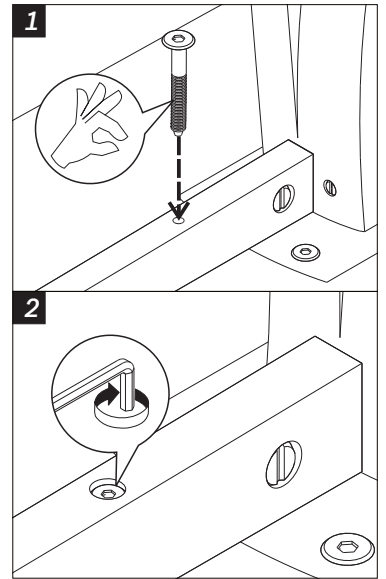
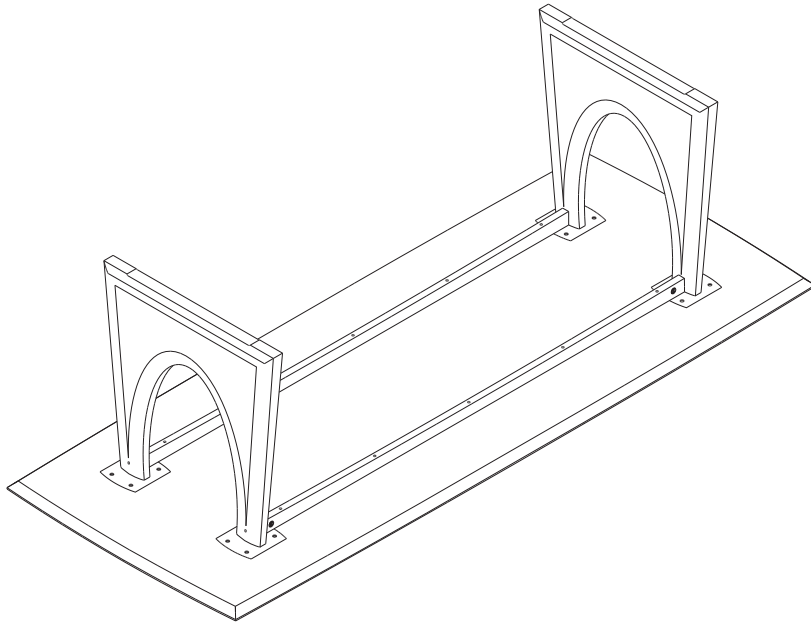
D. INSTALLING THE LEG



- ! STEP 1**
- THE APRON IS SLIGHTLY LIFTED
- PUSH THE LEG
- STEP 2**
- USE SCREW M6x60mm (2X)
- WITH SCREWDRIVER TO FIT SCREW INTO THE BARREL NUT
- USE L KEY 4 TO TIGHTEN
- DO NOT FULLY TIGHTEN
- STEP 3**
- USE SCREW M8x16mm (8X)
- USE L KEY 5 TO TIGHTEN
- DO NOT FULLY TIGHTEN

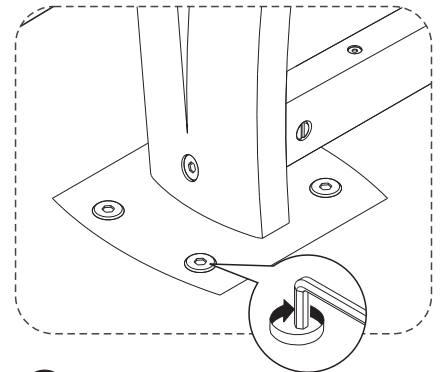
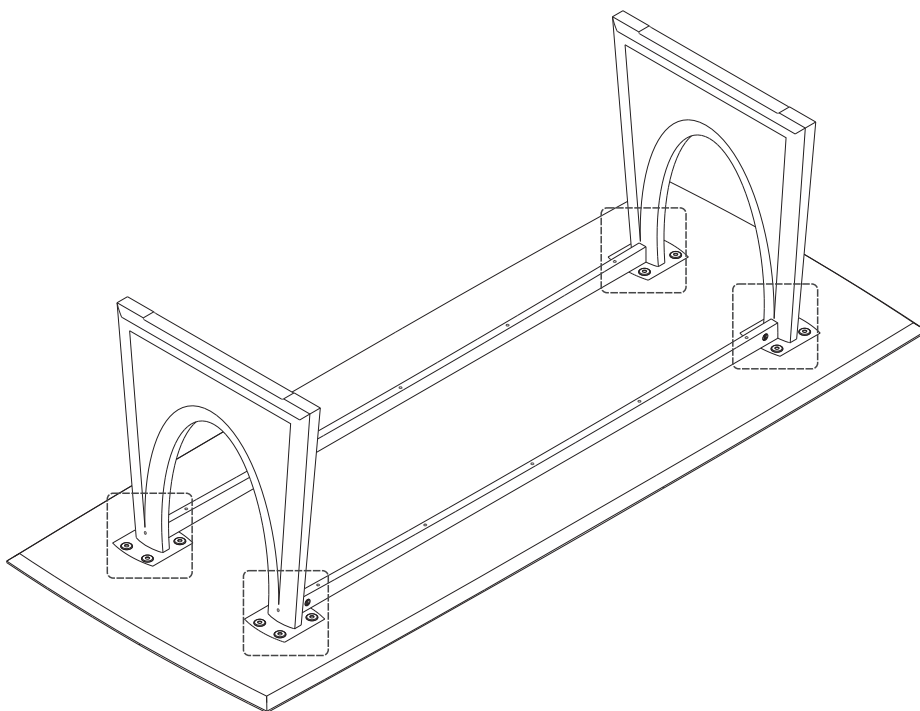
OAK GEOMETRIC DINING TABLE ASSEMBLY INSTRUCTIONS FOR DINING TABLE INSTALLATION

C. FIX THE APRON TO THE TABLE TOP

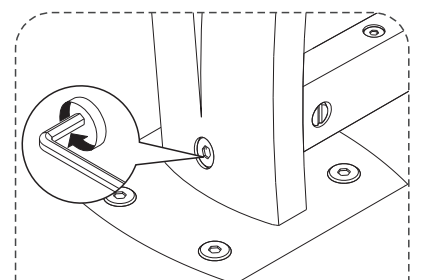


- ! - USE SCREW M6x50mm (10X)
- USE L KEY 4 TO TIGHTEN
- TIGHTEN FULLY

D. RE-TIGHTEN ALL SCREWS



- ! USE L KEY 5 TO TIGHTEN FULLY



- ! - USE L KEY 4 TO TIGHTEN FULLY